

SINCE 1981

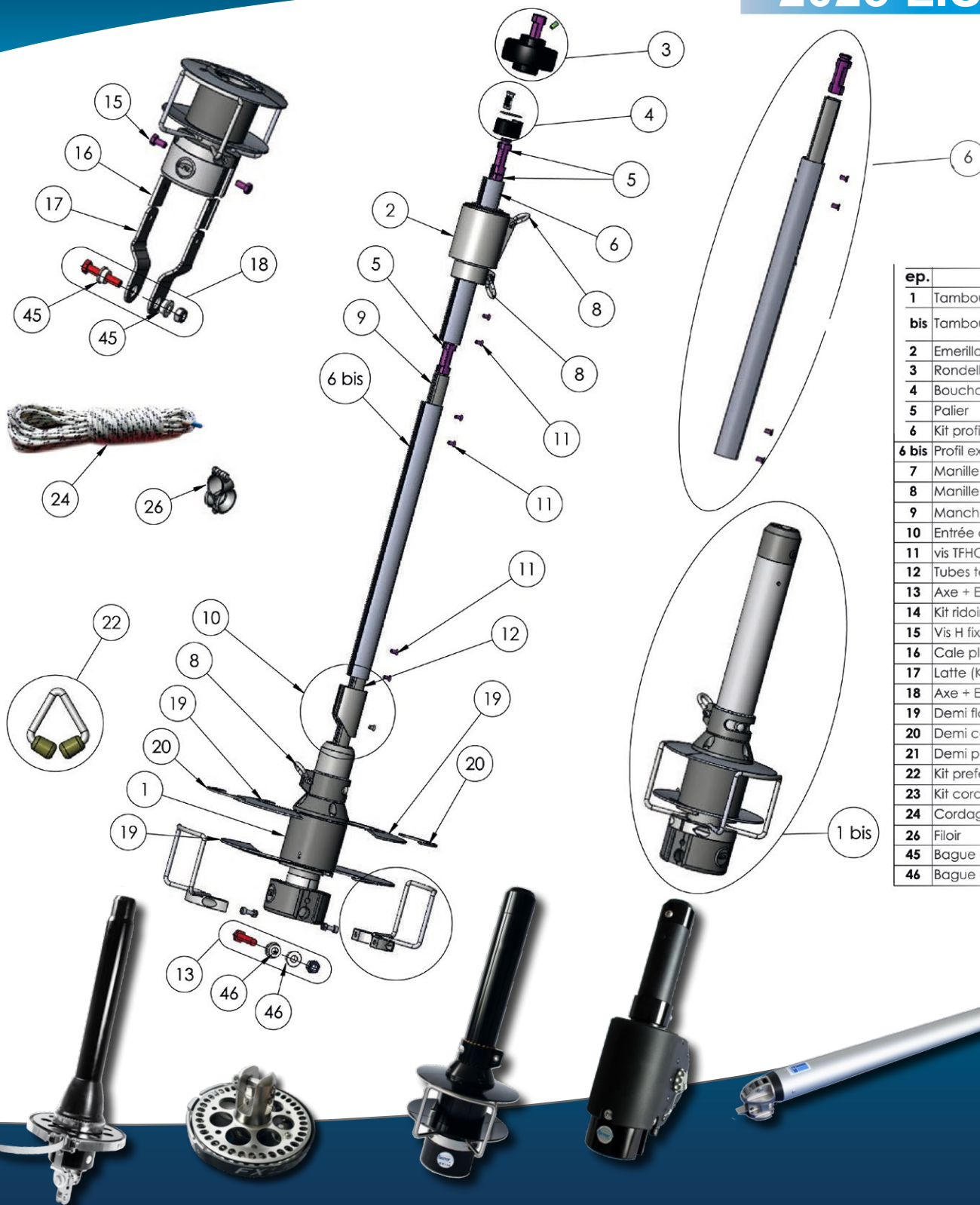
40 years
of innovation
IN FURLING SYSTEMS

facnor®
FURLING SYSTEMS



English Version

2025 LIST



ep.	Désignation
1	Tambour standard
bis	Tambour avec option aval ridé
2	Emerillon
3	Rondelle déflecteur (RDD)
4	Bouchon + plaque + pige
5	Palier
6	Kit profil externe double gorge
6 bis	Profil externe seul
7	Manille longue
8	Manille lyre
9	Manchon
10	Entrée de voile standard + vis
11	vis TFHC (Profil)
12	Tubes télescopique
13	Axe + Ecrou + bague (montage)
14	Kit ridoir complet
15	Vis H fixation latte (KR)
16	Cale plastique isolante latte (KR)
17	Latte (KR)
18	Axe + Ecrou + bague (KR)
19	Demi flasque
20	Demi coupelle de remplacement
21	Demi pince fil
22	Kit prefender
23	Kit cordage complet
24	Cordage
25	Filoir
45	Bague axe (KR)
46	Bague axe standard

FACNOR SPARE PARTS CATALOGUE

Applicable from 1st January 2025



Order on the Pro Space www.facnor.com

Non contractual document & pictures - Facnor / dec 2020

THE « SPARE PART CATALOGUE » TOOL

How to find a spare part?

The spare part catalogue of Facnor products is divided into several chapters corresponding to current or former ranges. Each chapter presents first the exploded drawing(s) of Facnor kits that show available spare sub-units indexed by a representation No (Rep No).

14 Montage avec option kit ridoir /
Installation with link plate option

Rep No

facnor
ENROULEURS DE VOILES

**ECLATE "ENROULEURS LS" - PIECES DETACHEES /
EXPLODED VIEW OF "LS FURLING SYSTEM" - SPARE PARTS**

Rep.	Désignation	Description
1	Tambour standard	Standard drum
1bis	Tambour avec option avar ridoir	Drum with internal turnpuckle option/torque tube
2	Emersion	Swivel
3	Rondele déflecteur (RDD)	Hayard deflector wheel (RDD)
4	Bouchon + plaque + pige	Top cap + plate + pin
5	Palier	Bushing
4	Kit profil externe double gorge	Foil section kit
4 bis	Profil externe seul	Twin groove foil section
7	Manille longue (Emersion taron CHD)	Long shackle (CHD taron swivel)
8	Manille lyre	Bow shackle
9	Manchon	Connector
10	Entrée de voile standard + vis	Standard sail feeder + screw
11	vis THFC (Profil)	Screw (Foil section)
12	Tubes télescopique	Telescopic section
13	Axe + Ecrou + bague (montage std)	Bottom pin + bolt bushings + bolt (std install.)
14	Kit ridoir complet	Complete link plate kit
15	Vis M section latte (KR)	Upper screw (LPK)
16	Cote paratique soamte latte (KR)	Plastic strip (LPK)
17	Latte (ES)	Line plate (LPK)
18	Axe + Ecrou + bague (KR)	Bottom fixing pin + bolt + bushing (LPK)
23	Kit cordage complet	Complete Furling Line
24	Cordage	Rope
26	Floir	Foinoad
45	Bague axe (KR)	Ring for pin (LPK)
46	Bague axe standard	Ring for standard pin

LS01
MAJ. 05.08.19

Exploded drawing Reference

After the exploded drawings the available spare parts are listed model after model :

Name of model — **LS200 SPARE PART LIST** — **EXPLOD DRAWING# LS01/LS02/LS0** — **Exploded drawing Reference**

Rep No — **Unit Retail Price ex-VAT** — **Retail price (ex VAT)**

Rep	Reference	Description	Unit Retail Price ex-VAT
03	09171000508	RDD GM HAL. DEF. WHEEL FORESTAY D8-10-11.1	77.42€
03	09171000509	RDD GM HAL. DEF. WHEEL FORESTAY D9-12	77.42€
03	09171000512	RDD GM HAL. DEF. WHEEL FORESTAY D13-12-17	77.42€
03	09171000514	RDD GM HAL. DEF. WHEEL FORESTAY D14	77.42€
03	09171000516	RDD GM HAL. DEF. WHEEL FORESTAY D16(MCHND)	77.42€
04	09130004470	SX47 TOP CAP	35.27€
05	09130125173	13 SX47 BUSHINGS/D8-52FORESTAY 19M50 - BUSHING D10.5	88.86€
05	09130125184	14 SX47 BUSHINGS/D10 FORESTAY 21M50 - BUSHING D12	95.43€
05	09130125186	14 SX47 BUSHING/D12-12.7FORESTAY 21M50 - BUSHING D14.5	95.43€
05	09130125188	14 SX47 BUSHINGS/D14 FORESTAY 21M50 - BUSHING D16	95.43€
05	09130125189	14 SX47 BUSHINGS/D16 FORESTAY 21M50 - BUSHING D18	95.43€
05	09190047080	SX47 BUSHINGFORESTAY D10MM	13.12€
05	09190047090	SX47 BUSHINGFORESTAY D8+8.52	13.12€
05	09190047120	SX47 BUSHINGFORESTAY D12MM	13.12€
05	09190047140	SX47 BUSHINGFORESTAY D14MM	13.12€
05	09190047160	SX47 BUSHINGFORESTAY D16MM	13.12€
06	09190047040	COMPLETE 2M SX47 STD SECTION (FOR D10 MM FORESTAY)	189.26€
06	09190047041	COMPLETE 2M SX47 STD SECTION (FOR D12 MM FORESTAY)	189.26€
06	09190047042	COMPLETE 2M SX47 STD SECTION (FOR D14 MM FORESTAY)	189.26€
06	09190047043	COMPLETE 2M SX47 STD SECTION (FOR D16 MM FORESTAY)	189.26€
06	09190147040	COMPLETE 1M SX47 STD SECTION (FOR D10 MM FORESTAY)	91.88€
06	09190147041	COMPLETE 1M SX47 STD SECTION (FOR D12 MM FORESTAY)	91.88€
06	09190147042	COMPLETE 1M SX47 STD SECTION (FOR D14 MM FORESTAY)	91.88€
06	09190147043	COMPLETE 1M SX47 STD SECTION (FOR D16 MM FORESTAY)	91.88€
06b	26132470106	1M ANODISED SX47 EXTERNAL FOIL	59.74€
06b	26132470206	ANODISED SX47 2M FOIL SECTION	119.48€
07	31001220800	LONG FORGED SHACKLE 8 MM	15.32€
08	31001220800	BOW SHACKLE DOBMM	9.88€
09	26134470036	SX47 CONNECTOR	54.33€
10	09130128470	COMPLETE SX47 STD SAIL FEEDER BENETEAU GROUP ONLY	44.35€
10	09130128472	REMOVABLE SX47 SS SAIL FEEDER COMPLETE	44.35€
11	09130124150	36 SX38-47M24 SCREWS - 19M50	18.05€
12	26134470166	SX47 TELESCOPIC SECTION	104.06€
13	09195047120	D13MM STD PIN + BUSHINGS L200	38.34€
13	09195047130	D12.7MM STD PIN + BUSHINGS L200	44.64€
13	09195047140	D14MM STD PIN + BUSHINGS L200	49.02€
13	09195047160	D16MM STD PIN + BUSHINGS L200-330R/260-300	50.77€
13	09195047180	D18MM STD PIN + BUSHINGS L200-330R/260-300	90.49€
13	09195047190	D19MM STD PIN + BUSHINGS L200-330R/260-300	106.79€
13	09195047200	D20MM STD PIN + BUSHINGS L200-330R/260-300	118.03€
13	09195047220	D22MM STD PIN + BUSHINGS L200-330R/260-300	134.71€

2020 suggested retail prices in € - Ex-works - www.facnor.com 16/01/2020

If a rep does appear in the list, it means that it may not be available anymore. In this case, please contact Facnor Sales team.



QUICK RESEARCH : if you look for the list of SD150 spare parts, press keys "Ctrl+F", then type "SD150 SPARE" and finally press the « Enter » key. You will be directly diverted onto SD150 spare part list.

2025 - SUMMARY FOR SPARE PART PRICE LIST

SOMMAIRE LISTE PRIX PIECES DETACHEES

NOTA: [Hypertext link active, click on it](#) / **NB :** [Lien hypertexte actif, cliquez dessus](#)

I - HEADSAIL FURLING SYSTEMS - ENROULEURS GENOIS

[LS/LX/RX/FD & SD/R swivels](#) [Curseurs émerillon](#) [LS/LX/RX/FD & SD/R](#) page 4

1.1 – LS/LX/RX

[Exploded drawings](#) [Eclatés](#) [LS](#) page 5-8
LS60 / LS70 / LS100 / LS130 / LS165 / LS180 / LS200 / LS290 / LS330 page 9-26
[Exploded drawings](#) [Eclatés](#) [LX](#) page 27-30
LX60 / LX70 / LX100 / LX130 / LX165 / LX180 / LX200 / LX290 / LX330 page 31-48
[Exploded drawings](#) [Eclatés](#) [RX](#) page 49-52
RX70 / RX100 / RX130 / RX165 / RX220 / RX260 / RX300 page 53-64

1.2 - FlatDeck

[Exploded drawing](#) [Eclaté](#) [FD](#) page 65-68
FD090 / FD170 / FD210 / FD280 / FD110 / FD190 / FD230 / FD310..... page 69-84

1.3 - Former SD/R ranges - Anciennes gammes SD/R

[Exploded drawing](#) [Eclaté](#) [SD/R](#) page 85-87
SD060 / SD070 / SD080 / SD130 / SD150 page 88-91
SD165 / SD180 / SD200 / SD260 / SD290 page 91-94
R080 / R100 / R130 / R150 / R200 / R260 / R290 / R300 page 95-99

1.4 – Electric EC – Gamme enrouleurs électriques

[Exploded drawing](#) [Eclaté](#) [EC](#) page 100-102
EC39 / EC47 page 103-105



Check foil section reference on board - see technical sheet “[measurements of sections](#)”
Vérifier la référence du profil aluminium à bord – voir fiche « [technique dimensions profils](#) »

II. MAINSAIL FURLER - ENROULEURS DE GRAND-VOILE

[Exploded drawing](#) [Eclaté](#) [CF](#) page 106-110
CF80 / CF90 / CF105 page 111-113
[Exploded drawing](#) [Eclaté](#) [FB](#) page 114-115
FB30 / FB40 page 116-117

III. FACSLIDE

3.1 **Facslide + range** – Gamme Facslide +

[Exploded drawing](#) [Eclaté](#) [FACSLIDE+](#) page 118-119
FACSLIDE F10+ / FACSLIDE F20+ / FACSLIDE F30+ / FACSLIDE F40+ page 120-125

3.2 **Former Facslide range** - Ancienne gamme Facslide

[Exploded drawing](#) [Eclaté](#) [FACSLIDE](#) page 126-127
OLDFACSLIDE F10 / OLDFACSLIDE F20 / OLDFACSLIDE F30 / OLDFACSLIDE F40 page 128-130

IV. BOWSPRITS - BOUTS DEHORS

[Exploded drawing](#) [Eclaté](#) [BDH](#) page 131
BDH D70mm / BDH D80mm / BDH D90mm / BDHD100mm page 132-133

V. FX+ CODE ZERO/GENNAKER FURLERS - EMMAGASINEURS FX+

5.1 **Fx+ Gennaker furlers** – Emmagazineurs FX+

[Exploded drawing](#) [Eclaté](#) [FX+](#) page 134
FX+0900 / FX+1500 / FX+2500 / FX+4500 / FX+7000 / FX+12000 page 135-137

5.2 **FXT gennaker furlers** – Emmagazineurs FXT page 138

5.3 **FX+ accessories** – Accessoires FX+ page 139-141

5.4 **Former FX Gennaker furlers** – Ancienne gamme emmagazineurs FX

[Exploded drawing](#) [Eclaté](#) [FX](#) page 142
FX0900 / FX1500 / FX2500 / FX4500 / FX7000 / FX12000 / FX20000 page 143-145

5.5 **Former ASYMFX furlers** – Ancienne gamme emmagazineurs ASYMFX

[Exploded drawing](#) [Eclaté](#) [ASYMFX](#) page 146-147
AFX1500 / AFX2500 / AFX4500 / AFX7000 page 148-150

5.6 **FXe furlers** – Gamme emmagazineurs électriques FXe

[Exploded drawing](#) [Eclaté](#) [FXe](#) page 151-152
FXe4500 page 153

5.7 **IBFXe furlers** – Gamme emmagazineurs électriques IBFXe

IBFXe4500 page 154

VI. STG3T STRUCTURAL FURLER – STOCKEUR STG 3T page 158-159

MODELE ENROULEUR FURL. SYST. MODEL	CODE PART NUMBER	FRANCAIS / DESCRIPTION	ENGLISH / DESCRIPTION	PRIX HT PUBLIC RETAIL PRICE
---	---------------------	------------------------	-----------------------	--------------------------------

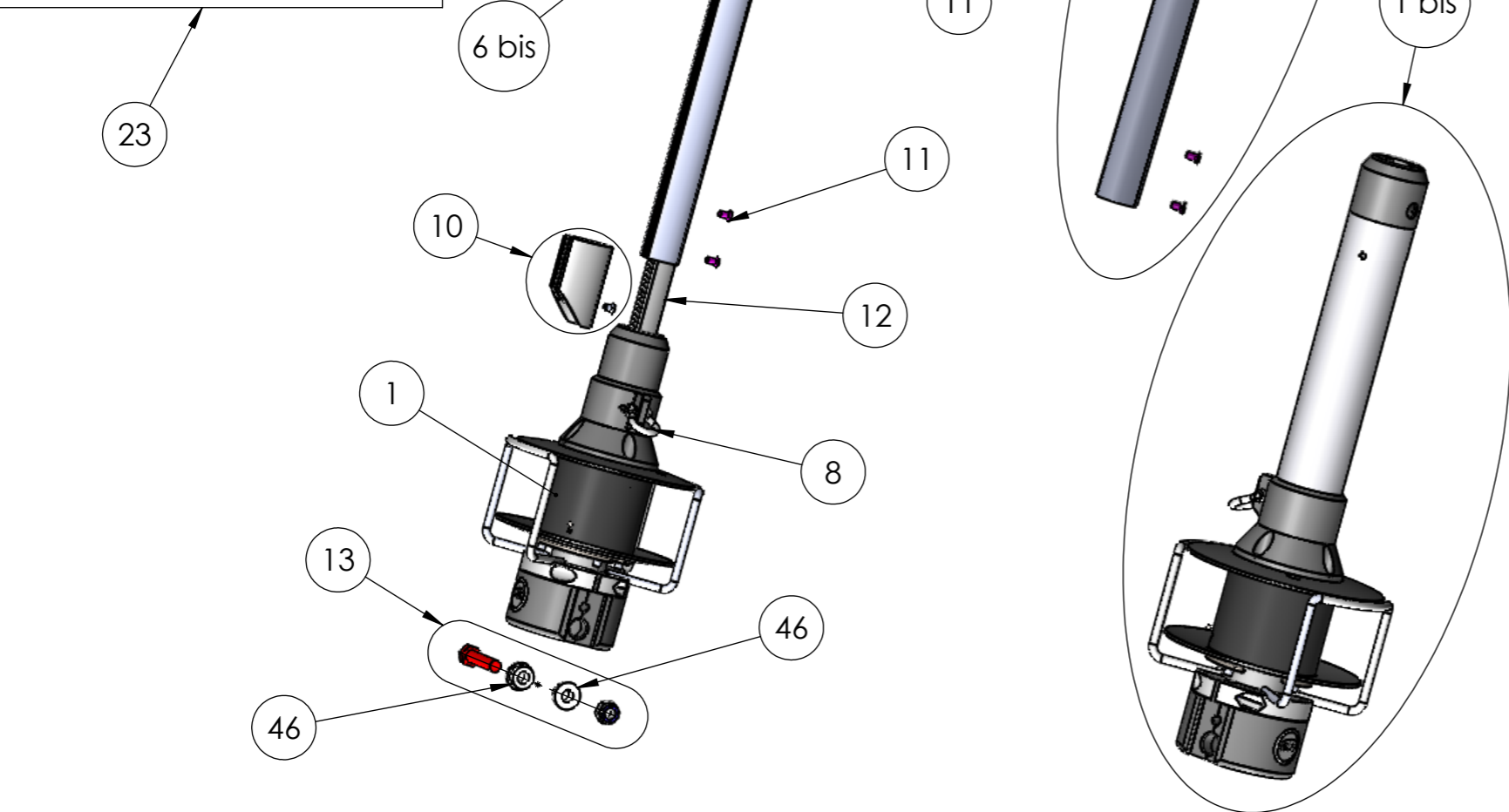
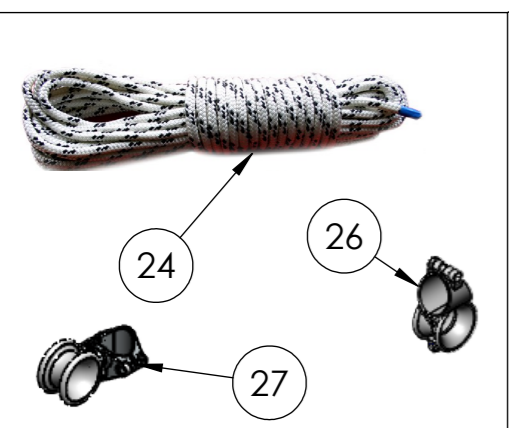
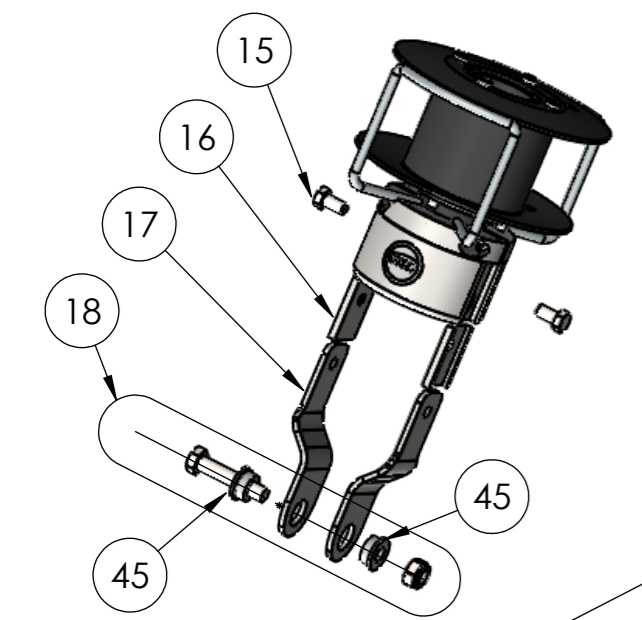
CURSEURS ANCIENNES GAMMES / FORMER RANGE HALYARD SWIVELS SD

SD60-70-80	09170030030	CURSEUR EMERILLON C30 RA COMPLET	COMPLETE C30 RA SWIVEL	
SD60-70-80	09265030040	CURSEUR EMERILLON CT30 RA COMPLET (TORLON)	COMPLETE CT30 RA SWIVEL (TORLON)	
SD100-130	'09170030030	CURSEUR EMERILLON C30 RA COMPLET	COMPLETE C30 RA SWIVEL	
SD150-180	09170038040	CURSEUR EMERILLON C38 RA COMPLET	COMPLETE C38 RA SWIVEL	
SD200-290	09170046040	CURSEUR EMERILLON C46 RA COMPLET	COMPLETE C46 RA SWIVEL	
R80-100	09170014030	CURSEUR EMERILLON C14 RA COMPLET	COMPLETE C14 RA SWIVEL	
R130	09170014040	CURSEUR EMERILLON C14 RENF RA COMPLET	COMPLETE REINF C14 RA SWIVEL	
R150-200	09170024040	CURSEUR EMERILLON C24 RA COMPLET	COMPLETE C24 RA SWIVEL	
R260-300	09170034040	CURSEUR EMERILLON C34 RA COMPLET	COMPLETE C34 V4 SWIVEL	

CURSEURS GAMMES ACTUELLES / CURRENT RANGE HALYARD SWIVELS LS/LX/RX/FD

LS/LX60-70 FD090	09265025040	CURSEUR EMERILLON CT25 RA COMPLET (TORLON)	COMPLETE CT25 RA SWIVEL (TORLON)	
LS/LX60-70 FD090	09170025040	CURSEUR EMERILLON C25 RA COMPLET	COMPLETE C25 RA SWIVEL	
LS/LX100- 130 FD170	09170033040	CURSEUR EMERILLON C33 RA COMPLET	COMPLETE C33 RA SWIVEL	
LS/LX165- 180 FD210	09170039040	CURSEUR EMERILLON C39 RA COMPLET	COMPLETE C39 RA SWIVEL	
LS/LX200- 290 FD280	09170047040	CURSEUR EMERILLON C47 RA COMPLET	COMPLETE C47 RA SWIVEL	
LS/LX330	09266053040	CURSEUR EMERILLON C600 COMPLET	COMPLETE C600 SWIVEL	
RX70-100	09170014030	CURSEUR EMERILLON C14 RA COMPLET	COMPLETE C14 RA SWIVEL	
RX130 FD110	09170014040	CURSEUR EMERILLON C14 RENF RA COMPLET	COMPLETE REINF C14 RA SWIVEL	
RX165-200 FD190	09170024040	CURSEUR EMERILLON C24 RA COMPLET	COMPLETE C24 RA SWIVEL	
RX220-260 FD230	09170026040	CURSEUR EMERILLON C26 RA COMPLET	COMPLETE C26 RA SWIVEL	
RX300 FD310	09170034040	CURSEUR EMERILLON C34 RA COMPLET	COMPLETE C34 V4 SWIVEL	

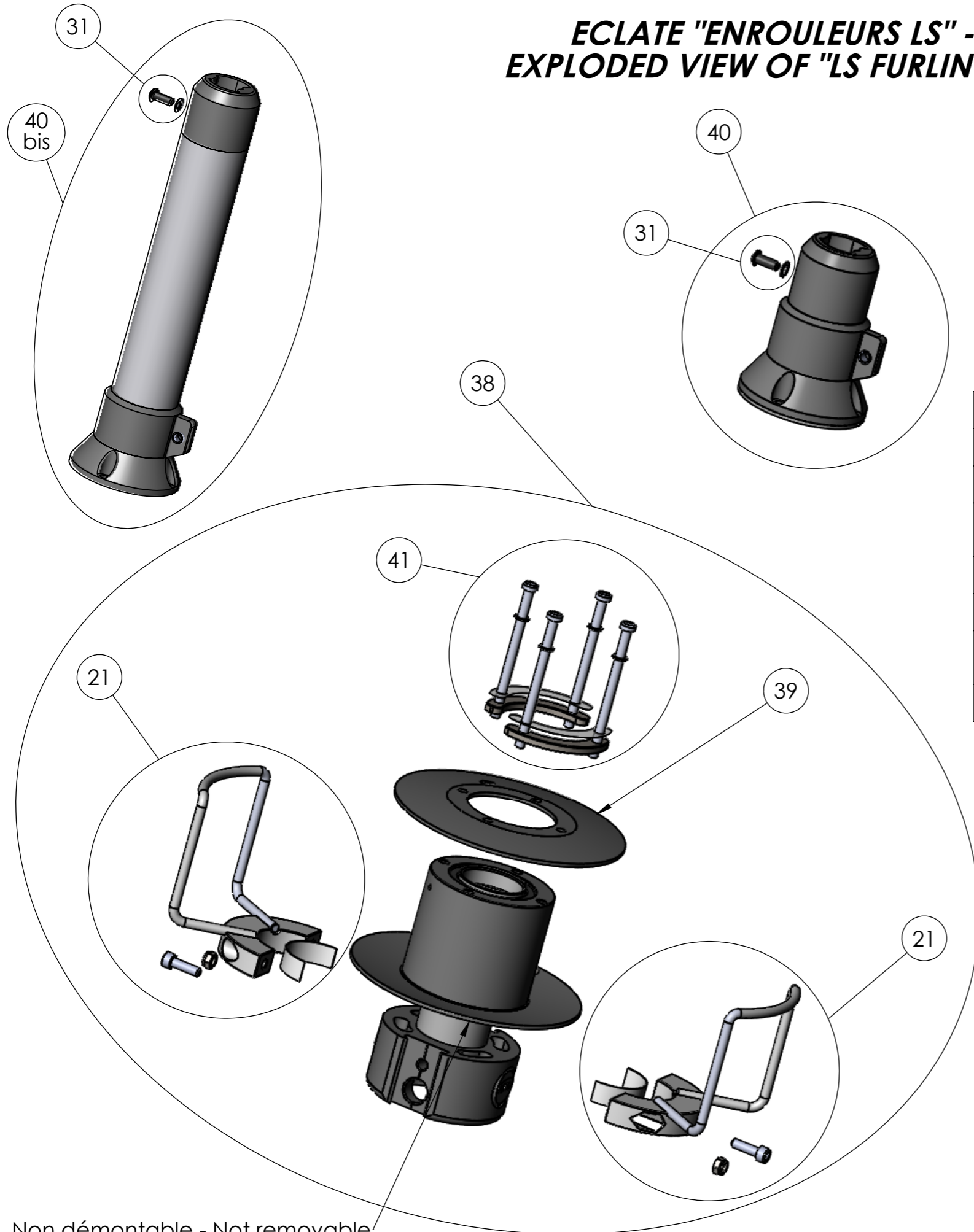
14 Montage avec option kit ridoir /
Installation with link plate option



ECLATE "ENROULEURS LS" - PIECES DETACHEES / EXPLODED VIEW OF "LS FURLING SYSTEM" - SPARE PARTS

Rep.	Désignation	Description
1	Tambour standard	Standard drum
1Bis	Tambour avec option aval ridoir	Drum with internal turnbuckle option/torque tube
2	Emerillon	Swivel
3	Rondelle déflecteur (RDD)	Halyard deflector wheel (RDD)
4	Bouchon + plaque + pige	Top cap + plate + pin
5	Palier	Bushing
6	Kit profil externe double gorge	Foil section Kit
6 bis	Profil externe seul	Twin groove foil section
7	Manille longue (Emerillon torton CHD)	Long shackle (CHD torton swivel)
8	Manille lyre	Bow shackle
9	Manchon	Connector
10	Entrée de voile standard + vis	Standard sail feeder + screw
11	vis TFHC (Profil)	Screw (Foil section)
12	Tubes télescopique	Telescopic section
13	Axe + Ecrou + bague (montage std)	Bottom pin + bolt bushings + bolt (std install.)
14	Kit ridoir complet	Complete link plate kit
15	Vis H fixation latte (KR)	Upper screw (LPK)
16	Cale plastique isolante latte (KR)	Plastic strip (LPK)
17	Latte (KR)	Link plate (lpk)
18	Axe + Ecrou + bague (KR)	Bottom fixing pin + bolt + bushing (LPK)
23	Kit cordage complet	Complete Furling Line
24	Cordage	Rope
26	Filoir	Fairlead
27	Filoir articulé	Articulated fairlead
45	Bague axe (KR)	Ring for pin (LPK)
46	Bague axe standard	Ring for standard pin

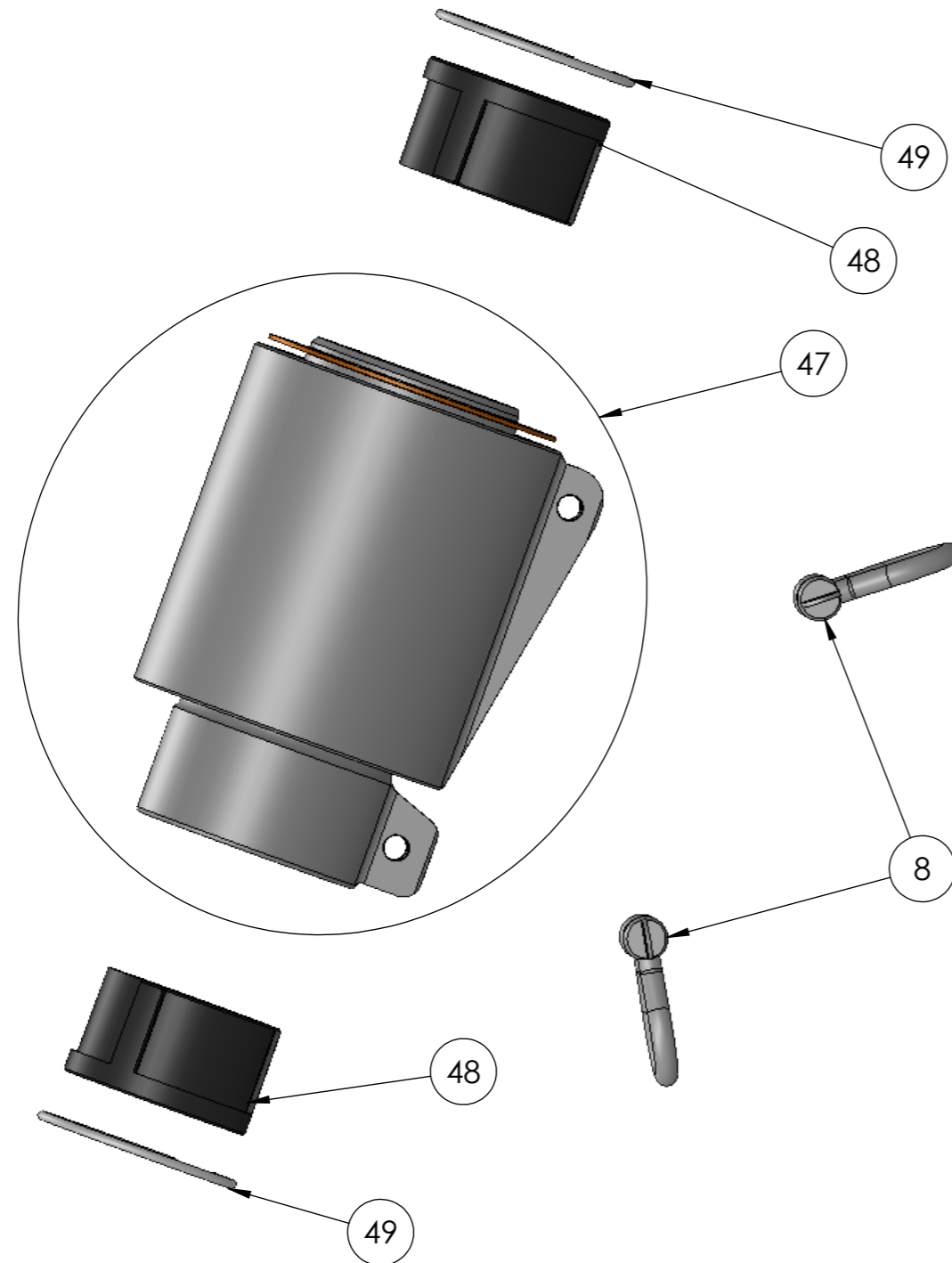
ECLATE "ENROULEURS LS" - PIECES DETACHEES / EXPLODED VIEW OF "LS FURLING SYSTEM" - SPARE PARTS



Rep.	Désignation	Description
21	Demi guide + pince fil + visserie	Haff guide + fixation + screws
31	Vis TTE avec rondelle	Screw with washer for telescopic section
38	Tambour echange standard sans NEZ <i>L165-290 & R165-300 seulement</i>	Standard exchange drum without NOSE <i>L165-290 & R165-300 only</i>
39	⚠ Flasque superieure	Upper plate
40	Nez standard (patte fixe)	Standard nose (fixed tack)
40bis	Nez avec avale ridoir (patte fixe)	Nose with internal turnbuckle fitting / torque tube (fixed tack)
41	Lot de 4 vis avec rondelles et contre plaques	Batch of 4 screws and half plates

Non démontable - Not removable

ECLATE CURSEUR EMERILLON ETANCHES RLTS ACIER
MODELES C14/24/33/39/47 (Profils SX/R) & C38/46 (ancien profil S)
EXPLODED DRAWING OF WATERPROOF HALYARD SWIVEL (STEEL BEARING)
C14/24/33/39/47 (SX/R section) & C38/46 (S former section)

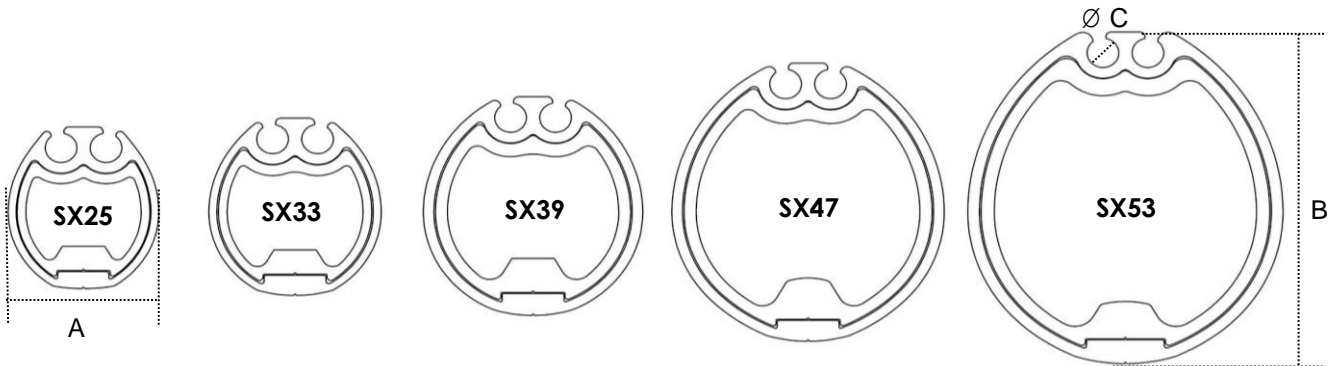


Rep.	Désignation	Description
8	Manille lyre	Bow shack
47	Mécanisme émerillon partiel	Partial swivel mechanism
48	Bague interne	Internal sleeve
49	Jonc	Clips

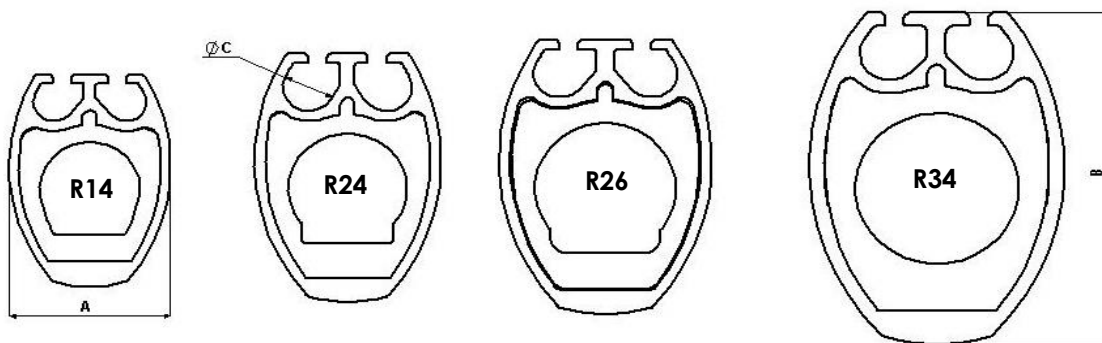
B.P 222, Parc d'Activités.
50550 ST VAAST LA HOUGUE

Tel : (33) 02 33 88 50 22 / Fax : (33) 02 33 23 14 27

Email : info@facnor.com

DIMENSIONS DES PROFILS - MEASUREMENTS OF THE SECTIONS


Reference - section	SX 25	SX33	SX 39	SX 47	SX 53
Ref. - enrouleur/furl.system LS-LX	60-70	100-130	165-180	200-260	330
Ref. - enrouleur/furl.system FD	090	170	210	280	
A	28	33	41	51	60
B	33	36	45	57	68
C	6	6	6	6	6



Reference - section	R14	R24	R26	R34
Ref. - enrouleur/furl.system RX	70-130	165-200	220-260	300
Ref. - enrouleur/furl.system RC	100	180	220	300
Ref. - enrouleur/furl.system FD	110	190	230	310
A	22	25	29	35
B	31	36	40	49
C	5	7	7	8

Les dimensions sont en mm. / Dimensions are in mm.

LS060 SPARE PART LIST
EXPLOD DRAWING# LS01/LS02/LS03

Rep	Reference	Description	
01	09110060040	COMPLETE LS60 DRUM	
01b	09114060040	LS 60 DRUM + INTERNAL TURN.	OPTION
02	09170025040	COMPLETE RA C25RA SWIVEL	RA
02	09265025040	COMPLETE CT25 SWIVEL	TORLON® BALLS
03	09171000205	RDD PM HAL. DEF. WHEEL	FORESTAY D4-5
03	09171000206	RDD PM HAL. DEF. WHEEL	FORESTAY D6-7
04	09130204250	SX 25 TOP CAP	
05	09130125112	8 SX25 BUSHINGS/D4 FORESTAY	9M40 - BUSHING D5.5
05	09130125122	9 SX25 BUSHINGS/D5-6 FORESTAY	11M40 - BUSHING D7
05	09196025040	SX25 BUSHING/FORESTAY D4 MM	
05	09196025050	SX25 BUSHING D7	FORESTAY D5+6 MM
06	09190025040	COMPLETE 2M SX25 STD SECTION	D4MM FORESTAY
06	09190025041	COMPLETE 2M SX25 STD SECTION	D5+6MM FORESTAY
06	09190125040	COMPLETE 1M SX25 STD SECTION	(FOR D4 MM FORESTAY)
06	09190125041	COMPLETE 1M SX25 STD SECTION	(FOR D5+6 MM FORESTAY)
06b	26132250106	1M ANODISED SX25 EXTERNAL FOIL	
06b	26132250206	2M ANODISED SX25 EXTERNAL FOIL	
07	31001220500	LONG FORGED SHACKLE 5 MM	
08	31001250500	BOW SHACKLE D05MM	
09	26134250036	SX25 CONNECTOR	
10	09130128250	COMPLETE SX25 STD SAIL FEEDER	
11	09130124320	32x SX25/R14+24 SCREWS	
12	26136250166	SX25 TELESCOPIC SECTION	
13	09195025060	D6MM STD PIN + BUSHINGS	L60-70/R70
13	09195025080	D8MM STD PIN + BUSHINGS	L60-70/R70
13	09195025100	D10MM STD PIN + BUSHINGS	L60-70/R70
14	09182251006	LPK 100MM D06 L60/70-R70	
14	09182251008	LPK 100MM D08 L60/70-R70	
14	09182251010	LPK 100MM D10L60/70-R70	
14	09182252006	LPK 200MM D06 L60/70-R70	
14	09182252008	LPK 200MM D08 L60/70-R70	
14	09182252010	LPK 200MM D10 L60/70-R70	
15	20002080160	8X16(5/16"X5/8") HH SCREW	
16	35022000039	FLEXIBLE PLASTIC STRIPS	L165-180/R165-200
17	09183110019	LINK PLATE 100MM D19	L60-130 R70-130
17	09183120019	LINK PLATE 200MM D19	L60-130 R70-130
18	09184251006	PIN LPK D06+BUSHINGS	L60/70-R70
18	09184251009	PIN LPK D08x53+BUSHINGS	L60/70-R70
18	09184251010	PIN LPK D10+BUSHINGS	L60/70-R70
21	09160125050	HALF GUDE+FIXATION+SCREWS/L60	
23	24106201300	06MMX20M FURLING LINE+1+LEADS*	WHITE/YELLOW ID

LS060 SPARE PART LIST
EXPLOD DRAWING# LS01/LS02/LS03

Rep	Reference	Description	
24	24106200000	06MMX20M STD FURLING LINE*	WHITE/YELLOW ID
26	24000102200	SINGLE FAIRLEAD+ PRODUCT CARD	REF SL25
27	24000102300	ARTICULATED STANCHION FAIRLEAD	REF ASL25/28
31	09276900030	SCREW+WASHER DRUM NOSE 60=>130	
38	09123060030	STD EXCH LS060+ DRUM	NO NOSE-MCHNED SHAFT
39	14041302506	ANODISED 5086 130x2.5	
40	09150025040	COMPLETE FIXED NOSE L60-70	
40b	09152025040	COMPL. FIX NOSE L60-70+INTERN.	TURN. KIT
41	09160225050	4 SCREWS+WASHER+HALF PLATES	L60-70/R70
45	28022423105	BUSHING D10MM PIN LPK L60-70	
45	28022425065	BUSHING D6MM PIN LPK L60-70	
45	28022425085	BUSHING D8MM PIN LPK L60-70	
46	28022525065	NYLON RING FOR D6MM STD PIN	
46	28022525085	NYLON RING FOR D8MM STD PIN	
46	28022525105	NYLON RING FOR D10MM STD PIN	
48	09163025000	SWIVEL INTERNAL BUSHING - SX25	
49	09163125000	C14-25-30 SWIVEL S-S RING	

LS070 SPARE PART LIST
EXPLOD DRAWING# LS01/LS02/LS03

Rep	Reference	Description	
01	09110070040	COMPLETE LS70 DRUM	
01b	09114070040	LS 70 DRUM + INTERNAL TURN.	OPTION
02	09170025040	COMPLETE RA C25RA SWIVEL	RA
02	09265025040	COMPLETE CT25 SWIVEL	TORLON® BALLS
03	09171000205	RDD PM HAL. DEF. WHEEL	FORESTAY D4-5
03	09171000206	RDD PM HAL. DEF. WHEEL	FORESTAY D6-7
04	09130204250	SX 25 TOP CAP	
05	09130125112	8 SX25 BUSHINGS/D4 FORESTAY	9M40 - BUSHING D5.5
05	09130125122	9 SX25 BUSHINGS/D5-6 FORESTAY	11M40 - BUSHING D7
05	09196025040	SX25 BUSHING/FORESTAY D4 MM	
05	09196025050	SX25 BUSHING D7	FORESTAY D5+6 MM
06	09190025040	COMPLETE 2M SX25 STD SECTION	D4MM FORESTAY
06	09190025041	COMPLETE 2M SX25 STD SECTION	D5+6MM FORESTAY
06	09190125040	COMPLETE 1M SX25 STD SECTION	(FOR D4 MM FORESTAY)
06	09190125041	COMPLETE 1M SX25 STD SECTION	(FOR D5+6 MM FORESTAY)
06b	26132250106	1M ANODISED SX25 EXTERNAL FOIL	
06b	26132250206	2M ANODISED SX25 EXTERNAL FOIL	

LS070 SPARE PART LIST
EXPLOD DRAWING# LS01/LS02/LS03

Rep	Reference	Description	
07	31001220500	LONG FORGED SHACKLE 5 MM	
08	31001250500	BOW SHACKLE D05MM	
09	26134250036	SX25 CONNECTOR	
10	09130128250	COMPLETE SX25 STD SAIL FEEDER	
11	09130124320	32x SX25/R14+24 SCREWS	
12	26136250166	SX25 TELESCOPIC SECTION	
13	09195025060	D6MM STD PIN + BUSHINGS	L60-70/R70
13	09195025080	D8MM STD PIN + BUSHINGS	L60-70/R70
13	09195025100	D10MM STD PIN + BUSHINGS	L60-70/R70
14	09182251006	LPK 100MM D06 L60/70-R70	
14	09182251008	LPK 100MM D08 L60/70-R70	
14	09182251010	LPK 100MM D10L60/70-R70	
14	09182252006	LPK 200MM D06 L60/70-R70	
14	09182252008	LPK 200MM D08 L60/70-R70	
14	09182252010	LPK 200MM D10 L60/70-R70	
15	20002080160	8X16(5/16"X5/8") HH SCREW	
16	35022000025	FLEXIBLE PLASTIC STRIPS	L60-130/R70-130
17	09183110019	LINK PLATE 100MM D19	L60-130 R70-130
17	09183120019	LINK PLATE 200MM D19	L60-130 R70-130
18	09184251006	PIN LPK D06+BUSHINGS	L60/70-R70
18	09184251009	PIN LPK D08x53+BUSHINGS	L60/70-R70
18	09184251010	PIN LPK D10+BUSHINGS	L60/70-R70
21	09160125055	HALF GUDE+FIX+SCREWS/L-R70	
23	24106201300	06MMX20M FURLING LINE+1+LEADS*	WHITE/YELLOW ID
24	24106200000	06MMX20M STD FURLING LINE*	WHITE/YELLOW ID
26	24000102200	SINGLE FAIRLEAD+ PRODUCT CARD	REF SL25
27	24000102300	ARTICULATED STANCHION FAIRLEAD	REF ASL25/28
31	09276900030	SCREW+WASHER DRUM NOSE 60=>130	
38	09123070030	STD EXCH LS070+ DRUM	NO NOSE-MCHNED SHAFT
39	14041402506	ANODISED 140*2.5 PLATE	
40	09150025040	COMPLETE FIXED NOSE L60-70	
40b	09152025040	COMPL. FIX NOSE L60-70+INTERN.	TURN. KIT
41	09160225050	4 SCREWS+WASHER+HALF PLATES	L60-70/R70
45	28022423105	BUSHING D10MM PIN LPK L60-70	
45	28022425065	BUSHING D6MM PIN LPK L60-70	
45	28022425085	BUSHING D8MM PIN LPK L60-70	
46	28022525065	NYLON RING FOR D6MM STD PIN	
46	28022525085	NYLON RING FOR D8MM STD PIN	
46	28022525105	NYLON RING FOR D10MM STD PIN	
48	09163025000	SWIVEL INTERNAL BUSHING - SX25	
49	09163125000	C14-25-30 SWIVEL S-S RING	

LS100 SPARE PART LIST
EXPLOD DRAWING# LS01/LS02/LS03

Rep	Reference	Description	
01	09110100040	COMPLETE LS 100 DRUM	
01b	09114100040	LS 100 DRUM + INTERNAL TURN.	OPTION
02	09170033040	COMPLETE RA C33 SWIVEL	
03	09171000205	RDD PM HAL. DEF. WHEEL	FORESTAY D4-5
03	09171000206	RDD PM HAL. DEF. WHEEL	FORESTAY D6-7
04	09130204330	SX33 TOP CAP	
05	09130125132	10 SX33 BUSHINGSS/D5 FORESTAY	13M40 - BUSHING D6.5
05	09130125144	11 SX33 BUSHINGS/D6+7 FORESTAY	15M50 - BUSHING D8
05	09196033050	SX33 D6.5 BUSHING/FORESTAY D5	
05	09196033070	SX33 BUSHING D8/FORESTAY D6+7	
06	09190033040	COMPLETE 2M SX33 STD SECTION	(FOR D5 MM FORESTAY)
06	09190033041	COMPLETE 2M SX33 STD SECTION	(FOR D6+7 MM FORESTAY)
06	09190133040	COMPLETE 1M SX33 STD SECTION	(FOR D5 MM FORESTAY)
06	09190133041	COMPLETE 1M SX33 STD SECTION	(FOR D6+7 MM FORESTAY)
06b	26132330106	1M ANODISED SX33 EXTERNAL FOIL	
06b	26132330206	2M ANODISED SX33 EXTERNAL FOIL	
07	31001220600	LONG FORGED SHACKLE 6 MM	
08	31001250600	BOW SHACKLE D06MM	
09	26134330036	SX33 CONNECTOR	
10	09130128330	COMPLETE SX33 STD SAIL FEEDER	
11	09130124140	28x SX33/R26 SREWS	
12	26136330166	SX33 TELESCOPIC SECTION	
13	09195033080	D08MM STD PIN + BUSHINGS	L100-130/R100-130
13	09195033100	D10MM STD PIN + BUSHINGS	L100-130/R100-130
13	09195033120	D12MM STD PIN + BUSHINGS	L100-130/R100-130
13	09195033130	D12.7MM STD PIN + BUSHINGS	L100-130/R100-130
14	09182331008	LPK 100MM D08	L100-130R100-130
14	09182331010	LPK 100MM D10	L100-130-R100-130
14	09182331012	LPK 100MM D12	L100-130-R100-130
14	09182331013	LPK 100MM D12.7	L100-130-R100-130
14	09182332008	LPK 200MM D08	L100-130-R100-130
14	09182332010	LPK 200MM D10	L100-130-R100-130
14	09182332012	LPK 200MM D12	L100-130-R100-130
14	09182332013	LPK 200MM D12.7	L100-130-R100-130
15	20002080160	8X16(5/16"X5/8") HH SCREW	
16	35022000025	FLEXIBLE PLASTIC STRIPS	L60-130/R70-130
17	09183110019	LINK PLATE 100MM D19	L60-130 R70-130
17	09183120019	LINK PLATE 200MM D19	L60-130 R70-130
18	09184331008	PIN LPK D08+BUSHINGS	L-R100/130
18	09184331010	PIN LPK D10+BUSHINGS	L-R100/130
18	09184331012	PIN LPK D12+BUSHINGS	L-R100/130

LS100 SPARE PART LIST
EXPLOD DRAWING# LS01/LS02/LS03

Rep	Reference	Description	
18	09184331013	PIN LPK D12.7+BUSHINGS	L-R100/130
21	09160133050	HALF GUDE+FIX+SCREWS/L-R100	
23	24106201300	06MMX20M FURLING LINE+1+LEADS*	WHITE/YELLOW ID
24	24106200000	06MMX20M STD FURLING LINE*	WHITE/YELLOW ID
26	24000102200	SINGLE FAIRLEAD+ PRODUCT CARD	REF SL25
27	24000102300	ARTICULATED STANCHION FAIRLEAD	REF ASL25/28
31	09276900030	SCREW+WASHER DRUM NOSE 60=>130	
38	09123100030	STD EXCH LS100+ DRUM	NO NOSE-MCHNED SHAFT
39	14041552506	DRUM CHEEK0155X2.5 BLACK	100
40	09150033040	COMPLETE FIXED NOSE L100-130	
40b	09152033040	LONG FIXED NOSE L100-130	
41	09160233050	4 SCREWS+WASHER+HALF PLATES	L100-130/R100-130
45	28022433085	BUSHING D8MM PIN LPK L100-130	
45	28022433105	BUSHING D10MM PIN LPK L100-130	
45	28022433130	BUSHING D12.7MM PIN LPK	L100-130
46	28022533085	NYLON RING FOR D8.5MM STD PIN	L+R100
46	28022533105	NYLON RING FOR D10.5MM STD PIN	L+R100-130
46	28022533125	NYLON RING FOR D12.5MM STD PIN	L+R100-130
46	28022533130	NYLON RING FOR D13MM STD PIN	L+R100-130
48	09163033000	SWIVEL INTERNAL BUSHING - SX33	
49	09163133000	CHD24-33 SWIVEL S-S RING	

LS130 SPARE PART LIST
EXPLOD DRAWING# LS01/LS02/LS03

Rep	Reference	Description	
01	09110130040	COMPLETE LS 130 DRUM	
01b	09114130040	LS 130 DRUM +INTERNAL TURN.	OPTION
02	09170033040	COMPLETE RA C33 SWIVEL	
03	09171000205	RDD PM HAL. DEF. WHEEL	FORESTAY D4-5
03	09171000206	RDD PM HAL. DEF. WHEEL	FORESTAY D6-7
04	09130204330	SX33 TOP CAP	
05	09130125132	10 SX33 BUSHINGSS/D5 FORESTAY	13M40 - BUSHING D6.5
05	09130125144	11 SX33 BUSHINGS/D6+7 FORESTAY	15M50 - BUSHING D8
05	09196033050	SX33 D6.5 BUSHING/FORESTAY D5	
05	09196033070	SX33 BUSHING D8/FORESTAY D6+7	
06	09190033040	COMPLETE 2M SX33 STD SECTION	(FOR D5 MM FORESTAY)
06	09190033041	COMPLETE 2M SX33 STD SECTION	(FOR D6+7 MM FORESTAY)
06	09190133040	COMPLETE 1M SX33 STD SECTION	(FOR D5 MM FORESTAY)

LS130 SPARE PART LIST
EXPLOD DRAWING# LS01/LS02/LS03

Rep	Reference	Description	
06	09190133041	COMPLETE 1M SX33 STD SECTION (FOR D6+7 MM FORESTAY)	
06b	26132330106	1M ANODISED SX33 EXTERNAL FOIL	
06b	26132330206	2M ANODISED SX33 EXTERNAL FOIL	
07	31001220600	LONG FORGED SHACKLE 6 MM	
08	31001250600	BOW SHACKLE D06MM	
09	26134330036	SX33 CONNECTOR	
10	09130128330	COMPLETE SX33 STD SAIL FEEDER	
11	09130124140	28x SX33/R26 SREWS	
12	26136330166	SX33 TELESCOPIC SECTION	
13	09195033100	D10MM STD PIN + BUSHINGS L100-130/R100-130	
13	09195033120	D12MM STD PIN + BUSHINGS L100-130/R100-130	
13	09195033130	D12.7MM STD PIN + BUSHINGS L100-130/R100-130	
14	09182331010	LPK 100MM D10 L100-130-R100-130	
14	09182331012	LPK 100MM D12 L100-130-R100-130	
14	09182331013	LPK 100MM D12.7 L100-130-R100-130	
14	09182332010	LPK 200MM D10 L100-130-R100-130	
14	09182332012	LPK 200MM D12 L100-130-R100-130	
14	09182332013	LPK 200MM D12.7 L100-130-R100-130	
15	20002080160	8X16(5/16"X5/8") HH SCREW	
16	35022000025	FLEXIBLE PLASTIC STRIPS L60-130/R70-130	
17	09183110019	LINK PLATE 100MM D19 L60-130 R70-130	
17	09183120019	LINK PLATE 200MM D19 L60-130 R70-130	
18	09184331008	PIN LPK D08+BUSHINGS L-R100/130	
18	09184331010	PIN LPK D10+BUSHINGS L-R100/130	
18	09184331012	PIN LPK D12+BUSHINGS L-R100/130	
18	09184331013	PIN LPK D12.7+BUSHINGS L-R100/130	
21	09160133055	HALF GUDE+FIX+SCREWS/L-R130	
23	24108241300	08MMX20M FURLING LINE+1+3LEADS GREY/BLUE ID	
24	24108240000	08MMX24M STD FURLING LINE* GREY/BLUE ID	
26	24000102200	SINGLE FAIRLEAD+ PRODUCT CARD REF SL25	
27	24000102300	ARTICULATED STANCHION FAIRLEAD REF ASL25/28	
31	09276900030	SCREW+WASHER DRUM NOSE 60=>130	
38	09123130030	STD EXCH LS130+ DRUM NO NOSE-MCHNED SHAFT	
39	14041752506	DRUM5086 CHEEK0175X2.5 BLACK 130	
40	09150033040	COMPLETE FIXED NOSE L100-130	
40b	09152033040	LONG FIXED NOSE L100-130	
41	09160233050	4 SCREWS+WASHER+HALF PLATES L100-130/R100-130	
45	28022433085	BUSHING D8MM PIN LPK L100-130	
45	28022433105	BUSHING D10MM PIN LPK L100-130	
45	28022433130	BUSHING D12.7MM PIN LPK L100-130	
46	28022533085	NYLON RING FOR D8.5MM STD PIN L+R100	

LS130 SPARE PART LIST
EXPLOD DRAWING# LS01/LS02/LS03

Rep	Reference	Description	
46	28022533105	NYLON RING FOR D10.5MM STD PIN	L+R100-130
46	28022533125	NYLON RING FOR D12.5MM STD PIN	L+R100-130
46	28022533130	NYLON RING FOR D13MM STD PIN	L+R100-130
48	09163033000	SWIVEL INTERNAL BUSHING - SX33	
49	09163133000	CHD24-33 SWIVEL S-S RING	

LS165 SPARE PART LIST
EXPLOD DRAWING# LS01/LS02/LS03

Rep	Reference	Description	
01	09110165040	COMPLETE LS 165 DRUM	
01b	09114165040	LS 165 DRUM + INTERNAL TURN.	OPTION
02	09170039040	COMPLETE RA C39 SWIVEL	D8 SHACKLE
03	09171000306	RDD MM HAL. DEF. WHEEL	FORESTAY D6-7-8
03	09171000310	RDD MM HAL. DEF. WHEEL	FORESTAY D10
04	09130204390	SX39 TOP CAP	
05	09130125152	12 SX39 BUSHING/D6-7-8FORESTAY	17M50 - BUSHING D9.5
05	09130125158	12 SX39 BUSHINGS/D10 FORESTAY	17M50 - BUSHING D11
05	09196039080	SX39 BEARING/FORESTAY D6+7+8MM	D9.5 BEARING
05	09196039100	SX39 BEARING/FORESTAY D10 MM	D11 BEARING
06	09190039040	COMPLETE 2M SX39 STD SECTION	(FOR D6+7+8 MM FORESTAY
06	09190039041	COMPLETE 2M SX39 STD SECTION	(FOR D10 MM FORESTAY)
06	09190139040	COMPLETE 1M SX39 STD SECTION	(FOR D6+7+8 MM FORESTAY
06	09190139041	COMPLETE 1M SX39 STD SECTION	(FOR D10 MM FORESTAY)
06b	26132390106	1M ANODISED SX39 EXTERNAL FOIL	
06b	26132390206	2M ANODISED SX39 EXTERNAL FOIL	
07	31001220600	LONG FORGED SHACKLE 6 MM	
08	31001250600	BOW SHACKLE D06MM	
09	26134390036	SX39 CONNECTOR	
10	09130128390	COMPLETE SX39 STD SAIL FEEDER	
11	09130124150	36x SX39+47/R34 SCREWS - 16M50	
12	26136390166	SX39 TELESCOPIC SECTION	
13	09195039100	D10MM STD PIN + BUSHINGS	L165-180/R165-200
13	09195039120	D12MM STD PIN + BUSHINGS	L165-180/R165-200
13	09195039130	D12.7MM STD PIN + BUSHINGS	L165-180/R165-200
13	09195039140	D14MM STD PIN + BUSHINGS	L165-180/R165-200
13	09195039160	D16MM STD PIN + BUSHINGS	L165-180/R165-200
14	09182391510	LPK 150MM D10	L165-180-R165-200
14	09182391512	LPK 150MM D12	L165-180-R165-200

LS165 SPARE PART LIST
EXPLOD DRAWING# LS01/LS02/LS03

Rep	Reference	Description	
14	09182391513	LPK 150MM D12.7	L165-180-R165-200
14	09182391514	LPK 150MM D14	L165-180-R165-200
14	09182391516	LPK 150MM D16	L165-180-R165-200
14	09182392510	LPK 250MM D10	L165-180-R165-200
14	09182392512	LPK 250MM D12	L165-180-R165-200
14	09182392513	LPK 250MM D12.7	L165-180-R165-200
14	09182392514	LPK 250MM D14	L165-180-R165-200
14	09182392516	LPK 250MM D16	L165-180-R165-200
15	20002080160	8X16(5/16"X5/8") HH SCREW	
16	35022000039	FLEXIBLE PLASTIC STRIPS	L165-180/R165-200
17	09183315019	LINK PLATE 150MM D20/165-180	
17	09183325019	LINK PLATE 250MM D20/165-180	
18	09184391510	PIN LPK D10+BUSHINGS	L165/180+R165.200
18	09184391512	PIN LPK D12+BUSHINGS	L165/180+R165/200
18	09184391513	PIN LPK D12.7+BUSHINGS	L165/80+R165/200
18	09184391514	PIN LPK D14+BUSHINGS	L165/180+R165/200
18	09184391516	PIN LPK D16+BUSHINGS	L165/180+R165/200
21	09160139050	HALF GUDE+FIX+SCREWS/L-R165	
23	24108241300	08MMX20M FURLING LINE+1+3LEADS	GREY/BLUE ID
24	24108240000	08MMX24M STD FURLING LINE*	GREY/BLUE ID
26	24000102200	SINGLE FAIRLEAD+ PRODUCT CARD	REF SL25
27	24000102300	ARTICULATED STANCHION FAIRLEAD	REF ASL25/28
31	09276900035	SCREW+WASHER DRUM NOSE165=>260	
38	09123165030	STD EXCH LS165+ DRUM	NO NOSE-MCHNED SHAFT
39	14041903006	DRUM5086 CHEEK0190X3 BLACK	165
40	09150039040	COMPLETE FIXED NOSE L165-180	
40b	09152039040	LONG FIXED NOSE L165-180	
41	09160239050	4 SCREWS+WASHER+HALF PLATES	L165-180/R165-220
45	28022439105	BUSHING D10MM PIN LPK L165-180	
45	28022439130	BUSHING D12.7MM PIN LPK	L165-180
45	28022439145	BUSHING D14MM PIN LPK L165-180	
45	28022439165	BUSHNG D16MM PIN LPK L165-180	
46	28022539125	NYLON RING FOR D12.5MM STD PIN	L+R165-180
46	28022539130	NYLON RING FOR D13MM STD PIN	L+R165-180
46	28022539145	NYLON RING FOR D14.5MM STD PIN	L+R165-180
46	28022539165	NYLON RING FOR D16.5MM STD PIN	L+R165-180
48	09163039000	SWIVEL INTERNAL BUSHING - SX39	
49	09163139000	CHD26-39 SWIVEL S-S RING	

LS180 SPARE PART LIST
EXPLOD DRAWING# LS01/LS02/LS03

Rep	Reference	Description	
01	09110180040	COMPLETE LS 180 DRUM	
01b	09114180040	LS 180 DRUM + INTERNAL TURN.	OPTION
02	09170039040	COMPLETE RA C39 SWIVEL	D8 SHACKLE
03	09171000306	RDD MM HAL. DEF. WHEEL	FORESTAY D6-7-8
03	09171000310	RDD MM HAL. DEF. WHEEL	FORESTAY D10
03	09171000312	RDD MM HAL. DEF. WHEEL	FORESTAY D12
04	09130204390	SX39 TOP CAP	
05	09130125152	12 SX39 BUSHING/D6-7-8FORESTAY	17M50 - BUSHING D9.5
05	09130125158	12 SX39 BUSHINGS/D10 FORESTAY	17M50 - BUSHING D11
05	09130125168	12 SX39 BUSHINGS-D12 FORESTAY	17M50 - BUSHING D13(11)
05	09196039080	SX39 BEARING/FORESTAY D6+7+8MM	D9.5 BEARING
05	09196039100	SX39 BEARING/FORESTAY D10 MM	D11 BEARING
05	09196039120	SX39 BUSHING/FORESTAY D12 MM	.
06	09190039040	COMPLETE 2M SX39 STD SECTION	(FOR D6+7+8 MM FORESTAY
06	09190039041	COMPLETE 2M SX39 STD SECTION	(FOR D10 MM FORESTAY)
06	09190039042	COMPLETE 2M SX39 STD SECTION	(FOR D12 MM FORESTAY)
06	09190139040	COMPLETE 1M SX39 STD SECTION	(FOR D6+7+8 MM FORESTAY
06	09190139041	COMPLETE 1M SX39 STD SECTION	(FOR D10 MM FORESTAY)
06	09190139042	COMPLETE 1M SX39 STD SECTION	(FOR D12 MM FORESTAY)
06b	26132390106	1M ANODISED SX39 EXTERNAL FOIL	
06b	26132390206	2M ANODISED SX39 EXTERNAL FOIL	
07	31001220600	LONG FORGED SHACKLE 6 MM	
08	31001250600	BOW SHACKLE D06MM	
09	26134390036	SX39 CONNECTOR	
10	09130128390	COMPLETE SX39 STD SAIL FEEDER	
11	09130124150	36x SX39+47/R34 SCREWS - 16M50	
12	26136390166	SX39 TELESCOPIC SECTION	
13	09195039100	D10MM STD PIN + BUSHINGS	L165-180/R165-200
13	09195039120	D12MM STD PIN + BUSHINGS	L165-180/R165-200
13	09195039130	D12.7MM STD PIN + BUSHINGS	L165-180/R165-200
13	09195039140	D14MM STD PIN + BUSHINGS	L165-180/R165-200
13	09195039160	D16MM STD PIN + BUSHINGS	L165-180/R165-200
14	09182391510	LPK 150MM D10	L165-180-R165-200
14	09182391512	LPK 150MM D12	L165-180-R165-200
14	09182391513	LPK 150MM D12.7	L165-180-R165-200
14	09182391514	LPK 150MM D14	L165-180-R165-200
14	09182391516	LPK 150MM D16	L165-180-R165-200
14	09182392510	LPK 250MM D10	L165-180-R165-200
14	09182392512	LPK 250MM D12	L165-180-R165-200
14	09182392513	LPK 250MM D12.7	L165-180-R165-200
14	09182392514	LPK 250MM D14	L165-180-R165-200

LS180 SPARE PART LIST
EXPLOD DRAWING# LS01/LS02/LS03

Rep	Reference	Description	
14	09182392516	LPK 250MM D16	L165-180-R165-200
15	20002080160	8X16(5/16"X5/8") HH SCREW	
16	35022000039	FLEXIBLE PLASTIC STRIPS	L165-180/R165-200
17	09183315019	LINK PLATE 150MM D20/165-180	
17	09183325019	LINK PLATE 250MM D20/165-180	
18	09184391510	PIN LPK D10+BUSHINGS	L165/180+R165.200
18	09184391512	PIN LPK D12+BUSHINGS	L165/180+R165/200
18	09184391513	PIN LPK D12.7+BUSHINGS	L165/80+R165/200
18	09184391514	PIN LPK D14+BUSHINGS	L165/180+R165/200
18	09184391516	PIN LPK D16+BUSHINGS	L165/180+R165/200
21	09160139055	HALF GUDE+FIX+SCREWS/L180-R220	
23	24108241300	08MMX20M FURLING LINE+1+3LEADS	GREY/BLUE ID
24	24108240000	08MMX24M STD FURLING LINE*	GREY/BLUE ID
26	24000102200	SINGLE FAIRLEAD+ PRODUCT CARD	REF SL25
27	24000102300	ARTICULATED STANCHION FAIRLEAD	REF ASL25/28
31	09276900035	SCREW+WASHER DRUM NOSE 165=>260	
38	09123180030	STD EXCH LS180+ DRUM	NO NOSE-MCHNED SHAFT
39	14042053006	DRUM5086 CHEEK205X3 ANODIZED	180
40	09150039040	COMPLETE FIXED NOSE L165-180	
40b	09152039040	LONG FIXED NOSE L165-180	
41	09160239050	4 SCREWS+WASHER+HALF PLATES	L165-180/R165-220
45	28022439105	BUSHING D10MM PIN LPK L165-180	
45	28022439130	BUSHING D12.7MM PIN LPK	L165-180
45	28022439145	BUSHING D14MM PIN LPK L165-180	
45	28022439165	BUSHNG D16MM PIN LPK L165-180	
46	28022539125	NYLON RING FOR D12.5MM STD PIN	L+R165-180
46	28022539130	NYLON RING FOR D13MM STD PIN	L+R165-180
46	28022539145	NYLON RING FOR D14.5MM STD PIN	L+R165-180
46	28022539165	NYLON RING FOR D16.5MM STD PIN	L+R165-180
48	09163039000	SWIVEL INTERNAL BUSHING - SX39	
49	09163139000	CHD26-39 SWIVEL S-S RING	

LS200 SPARE PART LIST
EXPLOD DRAWING# LS01/LS02/LS03

Rep	Reference	Description	
01	09110200040	COMPLETE LS 200 DRUM	
01b	09114200040	LS 200 DRUM + INTERNAL TURN.	OPTION
02	09170047040	COMPLETE RA C47 SWIVEL	

LS200 SPARE PART LIST
EXPLOD DRAWING# LS01/LS02/LS03

Rep	Reference	Description	
03	09171000508	RDD GM HAL. DEF. WHEEL	FORESTAY D8-10-11.1
03	09171000509	RDD GM HAL. DEF. WHEEL	FORESTAY D9.52
03	09171000512	RDD GM HAL. DEF. WHEEL	FORESTAY D12-12.7
03	09171000514	RDD GM HAL. DEF. WHEEL	FORESTAY D14
03	09171000516	RDD GM HAL. DEF. WHEEL	FORESTAY D16(MCHND)
04	09130204470	SX47 TOP CAP	
05	09130125173	13 SX47 BUSHNG/D8-9.52FORESTAY	19M50 - BUSHING D10.5
05	09130125184	14 SX47 BUSHINGS/D10 FORESTAY	21M50 - BUSHING D12
05	09130125186	14 SX47 BUSHG/D12+12.7FORESTAY	21M50 - BUSHING D14.5
05	09130125188	14 SX47 BUSHINGS/D14 FORESTAY	21M50 - BUSHING D16
05	09130125189	14 SX47 BUSHINGS/D16 FORESTAY	21M50 - BUSHING D18
05	09196047080	SX47 BUSHING/FORESTAY D10 MM	
05	09196047090	SX47 BUSHING/FORESTAY D8+9.52	
05	09196047120	SX47 BUSHING/FORESTAY D12MM	
05	09196047140	SX47 BUSHING/FORESTAY D14MM	
05	09196047160	SX47 BUSHING/FORESTAY D16 MM	
06	09190047040	COMPLETE 2M SX47 STD SECTION	(FOR D10 MM FORESTAY)
06	09190047041	COMPLETE 2M SX47 STD SECTION	(FOR D12 MM FORESTAY)
06	09190047042	COMPLETE 2M SX47 STD SECTION	(FOR D14 MM FORESTAY)
06	09190047043	COMPLETE 2M SX47 STD SECTION	(FOR D16 MM FORESTAY)
06	09190147040	COMPLETE 1M SX47 STD SECTION	(FOR D10 MM FORESTAY)
06	09190147041	COMPLETE 1M SX47 STD SECTION	(FOR D12 MM FORESTAY)
06	09190147042	COMPLETE 1M SX47 STD SECTION	(FOR D14 MM FORESTAY)
06	09190147043	COMPLETE 1M SX47 STD SECTION	(FOR D16 MM FORESTAY)
06b	26132470106	1M ANODISED SX47 EXTERNAL FOIL	
06b	26132470206	2M ANODISED SX47 EXTERNAL FOIL	
07	31001220800	LONG FORGED SHACKLE 8 MM	
08	31001250800	BOW SHACKLE D08MM	
09	26134470036	SX47 CONNECTOR	
10	09130128470	COMPLETE SX47 STD SAIL FEEDER	BENETEAU GROUP ONLY
11	09130124150	36x SX39+47/R34 SCREWS - 16M50	
12	26136470166	SX47 TELESCOPIC SECTION	
13	09195047120	D12MM STD PIN + BUSHINGS	L200
13	09195047130	D12.7MM STD PIN + BUSHINGS	L200
13	09195047140	D14MM STD PIN + BUSHINGS	L200
13	09195047160	D16MM STD PIN + BUSHINGS	L200-330/R260-300
13	09195047180	D18MM STD PIN + BUSHINGS	L200-330/R260-300
13	09195047190	D19MM STD PIN + BUSHINGS	L200-330/R260-300
13	09195047200	D20MM STD PIN + BUSHINGS	L200-330/R260-300
13	09195047220	D22MM STD PIN + BUSHINGS	L200-330/R260-300
14	09182471512	LPK 150MM D12	L200-290-R260-300

LS200 SPARE PART LIST
EXPLOD DRAWING# LS01/LS02/LS03

Rep	Reference	Description	
14	09182471513	LPK 150MM D12.7	L200-290-R260-300
14	09182471514	LPK 150MM D14	I200-290-R260-300
14	09182471516	LPK 150MM D16	L200-290-R260-300
14	09182471518	LPK 150MM D18	L200-290-R260-300
14	09182471519	LPK 150MM D19	L200-290-R260-300
14	09182471520	LPK 150MM D20	L200-290-R260-300
14	09182471522	LPK 150MM D22	L200-290-R260-300
14	09182471525	LPK 150MM D25	L200-290-330-R260-300
14	09182472512	LPK 250MM D12	L200-290-R260-300
14	09182472513	LPK 250MM D12.7	L200-290-R260-300
14	09182472514	LPK 250MM D14	L200-290-R260-3000
14	09182472516	LPK 250MM D16	L200-290-R260-300
14	09182472518	LPK 250MM D18	L200-290-R260-300
14	09182472519	LPK 250MM D19	L200-290R260-300
14	09182472520	LPK 250MM D20	L200-290-R260-300
14	09182472522	LPK 250MM D22	L200-290-R260-300
14	09182473512	LPK 350MM D12	L200-290-R260-300
14	09182473513	LPK 350MM D12.7	L200-290-R260-300
14	09182473514	LPK 350MM D14	L200-290-R260-300
14	09182473516	LPK 350MM D16	L200-290-R260-300
14	09182473518	LPK 350MM D18	L200-290-R260-300
14	09182473519	LPK 350MM D19	L200-290-R260-300
14	09182473520	LPK 350MM D20	L200-290-R260-300
14	09182473522	LPK 350MM D22	L200-290-R260-300
15	20002100180	10X18(13/32"X23/32")HH SCREW	
16	35022000047	FLEXIBLE PLASTIC STRIPS	L200-330-R260-300
17	09183515020	LINK PLATE 150MM D26/200-230	
17	09183525020	LINK PLATE 250MM D26/200-330	
17	09183535020	LINK PLATE 350MM D26/200-330	
18	09184471512	PIN LPK D12+BUSHINGS	L200/290+R260/300
18	09184471513	PIN LPK D12.7+BUSHINGS	L200/290+R260/300
18	09184471514	PIN LPK D14+BUSHINGS	L200/290-R260/300
18	09184471516	PIN LPK D16+BUSHINGS	L200/290+R260/300
18	09184471518	PIN LPK D18+BUSHINGS	L200/290-R260/300
18	09184471519	PIN LPK D19+BUSHINGS	L200/290-R260/300
18	09184471520	PIN LPK D20+BUSHINGS	L200/290-R260/300
18	09184471522	PIN LPK D22+BUSHINGS	L200/290-R260/300
21	09160147050	HALF GUDE+FIX+SCREWS/L200-R260	
23	24110241400	10MMX24M FURLING LINE+1+4LEADS	GREY/BLUE ID
24	24110240000	10MMX24M STD FURLING LINE*	GREY/BLUE ID
26	24000102200	SINGLE FAIRLEAD+ PRODUCT CARD	REF SL25

LS200 SPARE PART LIST
EXPLOD DRAWING# LS01/LS02/LS03

Rep	Reference	Description	
27	24000102300	ARTICULATED STANCHION FAIRLEAD	REF ASL25/28
31	09276900037	SCREW+WASHER DRUM NOSE200=>300	SX47/R34
38	09123200030	STD EXCH LS200 DRUM	NO NOSE-MCHNED SHAFT
39	14042204006	DRUM CHEEK 5086 220X4BLACK ANO	200 MODEL
40	09150047040	COMPLETE FIXED NOSE L200-290	
40b	09152047040	COMPL. FIX NOSE L200-290	INTERN. TURN. KIT
41	09160247050	4 SCREWS+WASHER+HALF PLATES	L200-290/R260-300
45	28022447125	BUSHING D12MM PIN LPK L165-180	
45	28022447130	BUSHING D12.7MM PIN LPK	L200-290
45	28022447145	BUSHING D14MM PIN LPK L200-290	
45	28022447165	BUSHING D16MM PIN LPK L200-290	
45	28022447185	BUSHING D18.5MM PINLPKL200-290	50MM WIDE TOGGLE
45	28022447205	BUSHING D20.5MM PINLPKL200-290	60MM WIDE TOGGLE
46	28022545165	NYLON RING FOR D16.5MM STD PIN	L200-330
46	28022545185	NYLON RING FOR D18.5MM STD PIN	L200-330
46	28022545205	NYLON RING FOR D20.5MM STD PIN	L200-330
46	28022545225	NYLON RING FOR D22.5MM STD PIN	L200-330
46	28022547125	NYLON BUSHING D12.5MM STD PIN	L200
46	28022547130	NYLON BUSHING D13MM STD PIN	L200
46	28022547145	NYLON BUSHING D14.5MM STD PIN	L200
48	09163047000	SWIVEL INTERNAL BUSHING - SX47	
49	09163147000	CHD34-47 SWIVEL S-S RING	

LS290 SPARE PART LIST
EXPLOD DRAWING# LS01/LS02/LS03

Rep	Reference	Description	
01	09110290040	COMPLETE LS 290 DRUM	
01b	09114290040	LS 290 DRUM + INTERNAL TURN.	OPTION
02	09170047040	COMPLETE RA C47 SWIVEL	
03	09171000508	RDD GM HAL. DEF. WHEEL	FORESTAY D8-10-11.1
03	09171000512	RDD GM HAL. DEF. WHEEL	FORESTAY D12-12.7
03	09171000514	RDD GM HAL. DEF. WHEEL	FORESTAY D14
04	09130204470	SX47 TOP CAP	
05	09130125184	14 SX47 BUSHINGS/D10 FORESTAY	21M50 - BUSHING D12
05	09130125186	14 SX47 BUSHG/D12+12.7FORESTAY	21M50 - BUSHING D14.5
05	09130125188	14 SX47 BUSHINGS/D14 FORESTAY	21M50 - BUSHING D16
05	09130125189	14 SX47 BUSHINGS/D16 FORESTAY	21M50 - BUSHING D18
05	09196047080	SX47 BUSHING/FORESTAY D10 MM	

LS290 SPARE PART LIST
EXPLOD DRAWING# LS01/LS02/LS03

Rep	Reference	Description	
05	09196047090	SX47 BUSHING/FORESTAY D8+9.52	
05	09196047120	SX47 BUSHING/FORESTAY D12MM	
05	09196047140	SX47 BUSHING/FORESTAY D14MM	
05	09196047160	SX47 BUSHING/FORESTAY D16 MM	
06	09190047040	COMPLETE 2M SX47 STD SECTION (FOR D10 MM FORESTAY)	
06	09190047041	COMPLETE 2M SX47 STD SECTION (FOR D12 MM FORESTAY)	
06	09190047042	COMPLETE 2M SX47 STD SECTION (FOR D14 MM FORESTAY)	
06	09190047043	COMPLETE 2M SX47 STD SECTION (FOR D16 MM FORESTAY)	
06	09190147040	COMPLETE 1M SX47 STD SECTION (FOR D10 MM FORESTAY)	
06	09190147041	COMPLETE 1M SX47 STD SECTION (FOR D12 MM FORESTAY)	
06	09190147042	COMPLETE 1M SX47 STD SECTION (FOR D14 MM FORESTAY)	
06	09190147043	COMPLETE 1M SX47 STD SECTION (FOR D16 MM FORESTAY)	
06b	26132470106	1M ANODISED SX47 EXTERNAL FOIL	
06b	26132470206	2M ANODISED SX47 EXTERNAL FOIL	
07	31001220800	LONG FORGED SHACKLE 8 MM	
08	31001250800	BOW SHACKLE D08MM	
09	26134470036	SX47 CONNECTOR	
10	09130128470	COMPLETE SX47 STD SAIL FEEDER BENETEAU GROUP ONLY	
11	09130124150	36x SX39+47/R34 SCREWS - 16M50	
12	26136470166	SX47 TELESCOPIC SECTION	
13	09195047160	D16MM STD PIN + BUSHINGS L200-330/R260-300	
13	09195047180	D18MM STD PIN + BUSHINGS L200-330/R260-300	
13	09195047190	D19MM STD PIN + BUSHINGS L200-330/R260-300	
13	09195047200	D20MM STD PIN + BUSHINGS L200-330/R260-300	
13	09195047220	D22MM STD PIN + BUSHINGS L200-330/R260-300	
14	09182471512	LPK 150MM D12 L200-290-R260-300	
14	09182471513	LPK 150MM D12.7 L200-290-R260-300	
14	09182471514	LPK 150MM D14 I200-290-R260-300	
14	09182471516	LPK 150MM D16 L200-290-R260-300	
14	09182471518	LPK 150MM D18 L200-290-R260-300	
14	09182471519	LPK 150MM D19 L200-290-R260-300	
14	09182471520	LPK 150MM D20 L200-290-R260-300	
14	09182471522	LPK 150MM D22 L200-290-R260-300	
14	09182471525	LPK 150MM D25 L200-290-330-R260-300	
14	09182472512	LPK 250MM D12 L200-290-R260-300	
14	09182472513	LPK 250MM D12.7 L200-290-R260-300	
14	09182472514	LPK 250MM D14 L200-290-R260-3000	
14	09182472516	LPK 250MM D16 L200-290-R260-300	
14	09182472518	LPK 250MM D18 L200-290-R260-300	
14	09182472519	LPK 250MM D19 L200-290R260-300	
14	09182472520	LPK 250MM D20 L200-290-R260-300	

LS290 SPARE PART LIST
EXPLOD DRAWING# LS01/LS02/LS03

Rep	Reference	Description	
14	09182472522	LPK 250MM D22	L200-290-R260-300
14	09182473512	LPK 350MM D12	L200-290-R260-300
14	09182473513	LPK 350MM D12.7	L200-290-R260-300
14	09182473514	LPK 350MM D14	L200-290-R260-300
14	09182473516	LPK 350MM D16	L200-290-R260-300
14	09182473518	LPK 350MM D18	L200-290-R260-300
14	09182473519	LPK 350MM D19	L200-290-R260-300
14	09182473520	LPK 350MM D20	L200-290-R260-300
14	09182473522	LPK 350MM D22	L200-290-R260-300
15	20002100180	10X18(13/32"X23/32")HH SCREW	
16	35022000047	FLEXIBLE PLASTIC STRIPS	L200-330-R260-300
17	09183515020	LINK PLATE 150MM D26/200-230	
17	09183525020	LINK PLATE 250MM D26/200-330	
17	09183535020	LINK PLATE 350MM D26/200-330	
18	09184471512	PIN LPK D12+BUSHINGS	L200/290+R260/300
18	09184471513	PIN LPK D12.7+BUSHINGS	L200/290+R260/300
18	09184471514	PIN LPK D14+BUSHINGS	L200/290-R260/300
18	09184471516	PIN LPK D16+BUSHINGS	L200/290+R260/300
18	09184471518	PIN LPK D18+BUSHINGS	L200/290-R260/300
18	09184471519	PIN LPK D19+BUSHINGS	L200/290-R260/300
18	09184471520	PIN LPK D20+BUSHINGS	L200/290-R260/300
18	09184471522	PIN LPK D22+BUSHINGS	L200/290-R260/300
21	09160147055	HALF GUDE+FIX+SCREWS/L290-R300	
23	24110241400	10MMX24M FURLING LINE+1+4LEADS	GREY/BLUE ID
24	24110240000	10MMX24M STD FURLING LINE*	GREY/BLUE ID
26	24000102200	SINGLE FAIRLEAD+ PRODUCT CARD	REF SL25
27	24000102300	ARTICULATED STANCHION FAIRLEAD	REF ASL25/28
31	09276900037	SCREW+WASHER DRUM NOSE200=>300	SX47/R34
38	09123290030	STD EXCH LS290+ DRUM	NO NOSE-MCHNED SHAFT
39	14042504006	DRUM5086 CHEEK205X4 ANODIZED	290
40	09150047040	COMPLETE FIXED NOSE L200-290	
40b	09152047040	COMPL. FIX NOSE L200-290	INTERN. TURN. KIT
41	09160247050	4 SCREWS+WASHER+HALF PLATES	L200-290/R260-300
45	28022447125	BUSHING D12MM PIN LPK L165-180	
45	28022447130	BUSHING D12.7MM PIN LPK	L200-290
45	28022447145	BUSHING D14MM PIN LPK L200-290	
45	28022447165	BUSHING D16MM PIN LPK L200-290	
45	28022447185	BUSHING D18.5MM PINLPKL200-290	50MM WIDE TOGGLE
45	28022447195	BUSHING D19.5MM PINLPKL200-290	50MM WIDE TOGGLE
45	28022447205	BUSHING D20.5MM PINLPKL200-290	60MM WIDE TOGGLE
45	28022453225	BUSHING D20MM PIN LPK L330	

LS290 SPARE PART LIST
EXPLOD DRAWING# LS01/LS02/LS03

Rep	Reference	Description	
46	28022545165	NYLON RING FOR D16.5MM STD PIN	L200-330
46	28022545185	NYLON RING FOR D18.5MM STD PIN	L200-330
46	28022545205	NYLON RING FOR D20.5MM STD PIN	L200-330
46	28022545225	NYLON RING FOR D22.5MM STD PIN	L200-330
46	28022547125	NYLON BUSHING D12.5MM STD PIN	L200
46	28022547130	NYLON BUSHING D13MM STD PIN	L200
46	28022547145	NYLON BUSHING D14.5MM STD PIN	L200
48	09163047000	SWIVEL INTERNAL BUSHING - SX47	
49	09163147000	CHD34-47 SWIVEL S-S RING	

LS330 SPARE PART LIST
EXPLOD DRAWING# LS01/LS02/LS03

Rep	Reference	Description	
01b	09114330040	LS 330 DRUM + INTERNAL TURN.	OPTION
02	09266053040	C600 HALYARD SWIVEL	
03	09171000613	RDD TGM HAL. DEF. WHEEL	FORESTAY D12.7
03	09171000614	RDD TGM HAL. DEF. WHEEL	FORESTAY D14
03	09171000616	RDD TGM HAL. DEF. WHEEL	FORESTAY D16
03	09171000619	RDD TGM HAL. DEF. WHEEL	FORESTAY D19
03	09171000620	RDD TGM HAL. DEF. WHEEL	FORESTAY D20
03	09171000622	RDD TGM HAL. DEF. WHEEL	FORESTAY D22
04	09130204530	SX53 TOP CAP	
05	09130125191	15 SX53 BUSHG/D12+12.7FORESTAY	23M50 - BUSHING D14
05	09130125192	15 SX53 BUSHINGS/D14 FORESTAY	23M50 - BUSHING D16
05	09130125194	15 SX53 BUSHINGS/D16 FORESTAY	23M50 - BUSHING D18.5
05	09130125196	15 SX53 BUSHINGS/D19 FORESTAY	23M50 - BUSHING D21
05	09130125198	15 SX53 BUSHINGS/D20 FORESTAY	23M50 - BUSHING D21 MCHN
05	09130125199	15 SX53 BUSHINGS-D22 FORESTAY	23M50 - BUSHING D21 MCHN
05	09196053130	SX53 BUSHING/FORESTAY D12.7MM	
05	09196053140	SX53 BUSHING/FORESTAY D14MM	
05	09196053160	SX53 BUSHING/FORESTAY D16MM	
05	09196053190	SX53 BUSHING/FORESTAY D18/19MM	
05	09196053200	SX53 BUSHING/FORESTAY D20MM	
05	09196053220	SX53 BUSHING/FORESTAY D22MM	
06	09190053040	COMPLETE 2M SX53 STD SECTION	(FOR D12 MM FORESTAY)
06	09190053041	COMPLETE 2M SX53 STD SECTION	(FOR D14 MM FORESTAY)
06	09190053042	COMPLETE 2M SX53 STD SECTION	(FOR D16 MM FORESTAY)
06	09190053043	COMPLETE 2M SX53 STD SECTION	(FOR D19 MM FORESTAY)

LS330 SPARE PART LIST
EXPLOD DRAWING# LS01/LS02/LS03

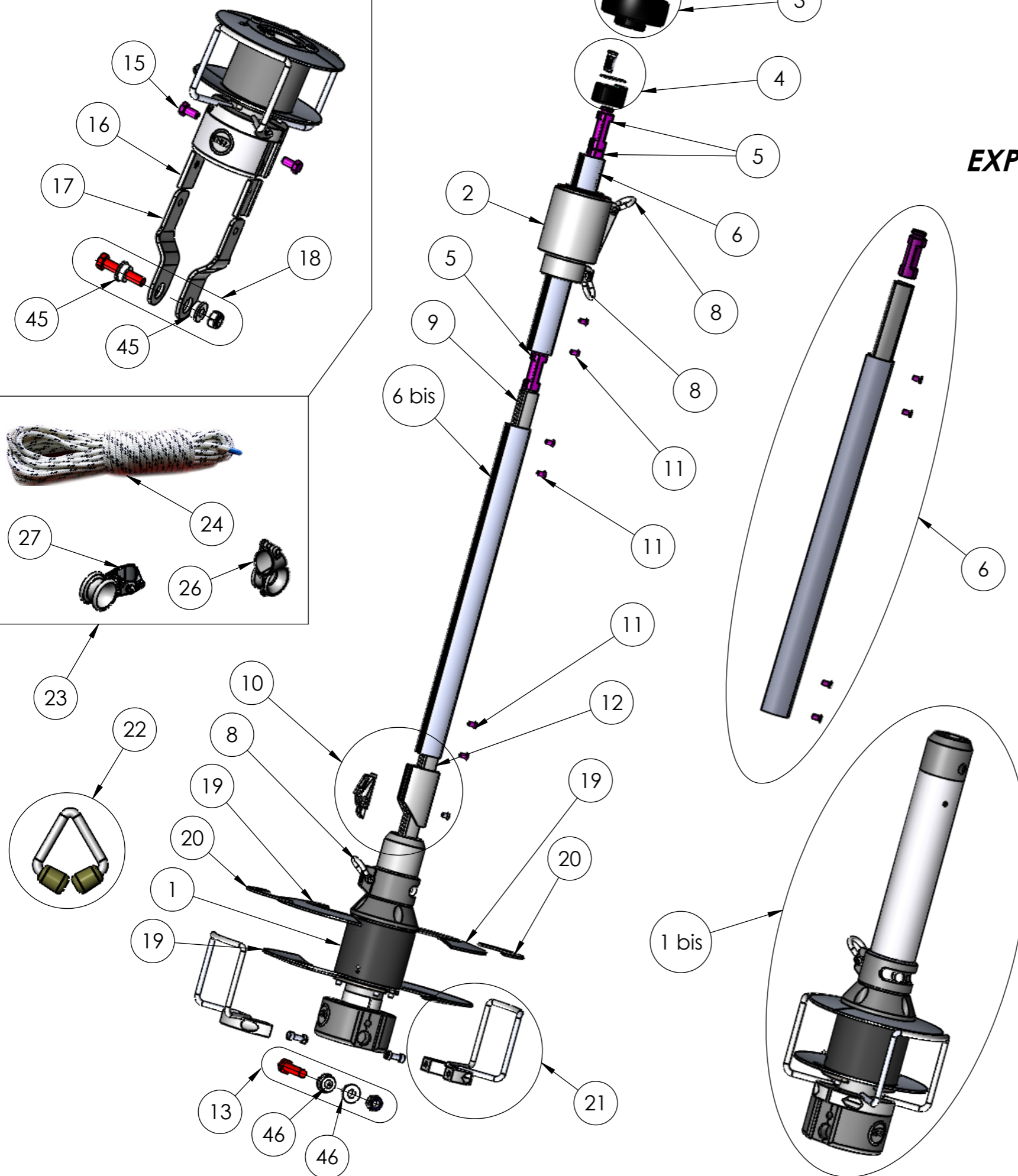
Rep	Reference	Description	
06	09190053044	COMPLETE 2M SX53 STD SECTION (FOR D20 MM FORESTAY)	
06	09190053045	COMPLETE 2M SX53 STD SECTION (FOR D22 MM FORESTAY)	
06	09190153040	COMPLETE 1M SX53 STD SECTION (FOR D12 MM FORESTAY)	
06	09190153041	COMPLETE 1M SX53 STD SECTION (FOR D14 MM FORESTAY)	
06	09190153042	COMPLETE 1M SX53 STD SECTION (FOR D16 MM FORESTAY)	
06	09190153043	COMPLETE 1M SX53 STD SECTION (FOR D19 MM FORESTAY)	
06	09190153044	COMPLETE 1M SX53 STD SECTION (FOR D20 MM FORESTAY)	
06	09190153045	COMPLETE 1M SX53 STD SECTION (FOR D22 MM FORESTAY)	
06b	26132530106	1M ANODISED SX53 EXTERNAL FOIL	
06b	26132530206	2M ANODISED SX53 EXTERNAL FOIL	
07	31001221000	LONG FORGED SHACKLE 10MM	
08	31001251000	BOW SHACKLE D10MM	
09	26134530036	SX53 CONNECTOR	
10	09130128530	COMPLETE SX53 STD SAIL FEEDER	
11	09130124190	44x SX53 SCREWS TFXM6x12+TUKLO	
12	26136530166	SX53 TELESCOPIC SECTION	
13	09195047180	D18MM STD PIN + BUSHINGS L200-330/R260-300	
13	09195047190	D19MM STD PIN + BUSHINGS L200-330/R260-300	
13	09195047200	D20MM STD PIN + BUSHINGS L200-330/R260-300	
13	09195047220	D22MM STD PIN + BUSHINGS L200-330/R260-300	
14	09182531522	LPK 150MM D22 L330	
14	09182531525	LPK 150MM D25 L330	
14	09182531530	LPK 150MM D30 L330	
14	09182531531	LPK 150MM D31.8 L330	
14	09182532522	LPK 250MM D22 L330	
14	09182532525	LPK 250MM D25 L330	
14	09182532530	LPK 250MM D30 L330	
14	09182532531	LPK 250MM D31.8 L330	
14	09182533522	LPK 350MM D22 L330	
14	09182533525	LPK 350MM D25 L330	
14	09182533530	LPK 350MM D30 L330	
14	09182533531	LPK 350MM D31.8 L330	
15	20002100180	10X18(13/32"X23/32")HH SCREW	
16	35022000047	FLEXIBLE PLASTIC STRIPS L200-330-R260-300	
17	09183515015	LINK PLATE 150MM/ 220-330-R260-300	
17	09183525015	LINK PLATE 250MM/330	
17	09183535015	LINK PLATE 350MM/330	
18	09184531522	PIN LPK D22+BUSHINGS L330	
18	09184531525	PIN LPK D25+BUSHINGS 60 L330	
18	09184531526	PIN LPK D25+BUSHINGS 63.5 L330	
18	09184531527	PIN LPK D25+BUSHINGS 70 L330	

LS330 SPARE PART LIST
EXPLOD DRAWING# LS01/LS02/LS03

Rep	Reference	Description	
18	09184531528	PIN LPK D28+BUSHINGS	L330
18	09184531531	PIN LPK D21+BUSHINGS	L330
21	09160153050	HALF GUDE+FIX+SCREWS/L330	
26	24000102200	SINGLE FAIRLEAD+ PRODUCT CARD	REF SL25
27	24000102300	ARTICULATED STANCHION FAIRLEAD	REF ASL25/28
31	09276900040	SCREW+WASHER DRUM NOSE 330	
39	14042954006	DRUM5086 CHEEK295X4 ANODIZED	330
40b	09152053040	COMPL. FIX NOSE L330+INTERN.	TURN. KIT
41	09160347050	4F SCREWS+WASHER+HALF PLATES	L200-290-330/R30-VIS FLUOR
45	28022453165	BUSHING D16.5MM PINLPKL330	60/80MM WIDE TOGGLE
45	28022453225	BUSHING D20MM PIN LPK L330	
46	28022545185	NYLON RING FOR D18.5MM STD PIN	L200-330
48	09163053000	SWIVEL INTERNAL BUSHING - SX53	
49	09163153000	CX53 SWIVEL S-S RING	

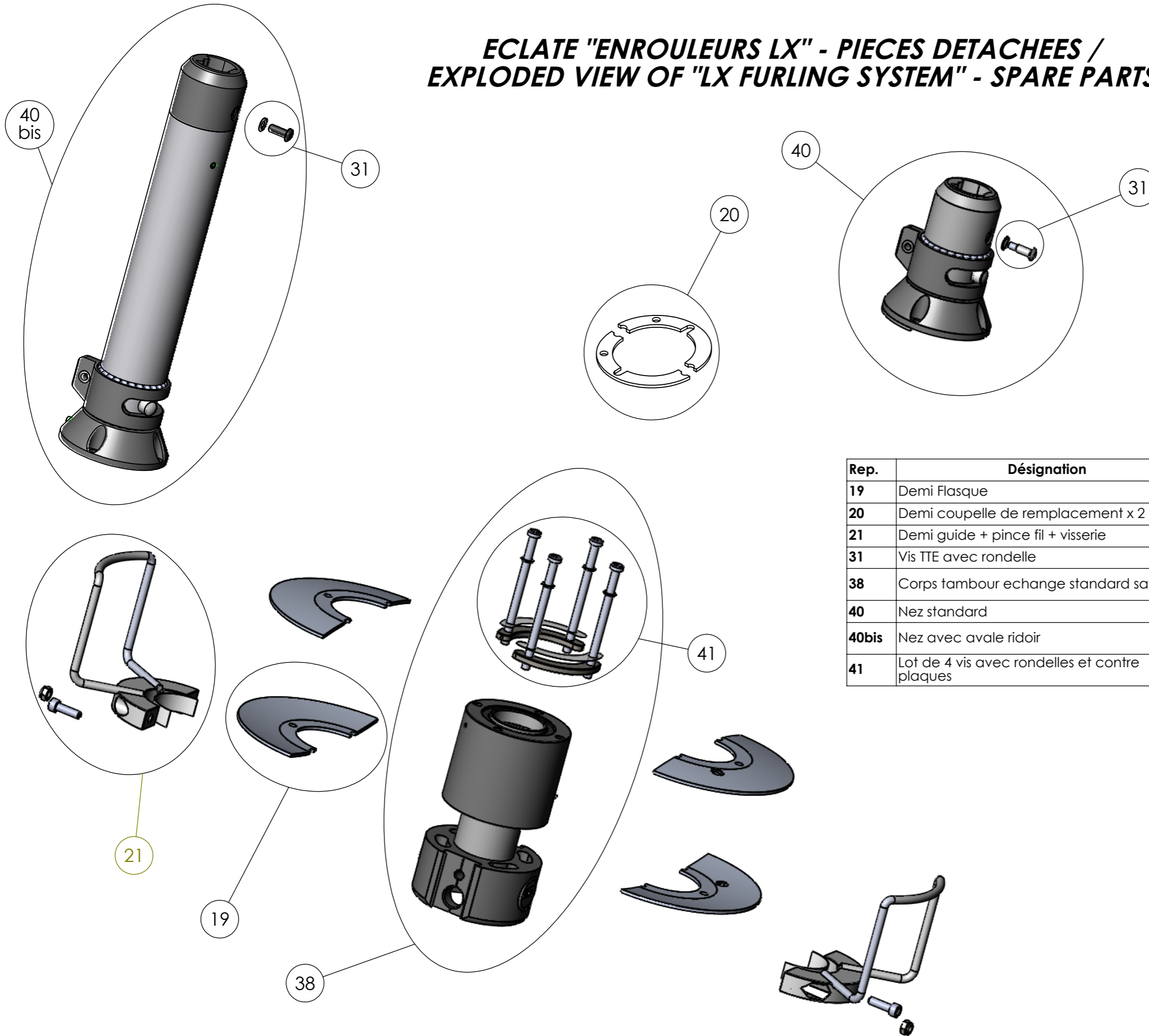
14 Montage avec option kit ridoir /
Installation with link plate option

**ECLATE "ENROULEURS LX" - PIECES DETACHEES /
EXPLODED VIEW OF "LX FURLING SYSTEM" - SPARE PARTS**



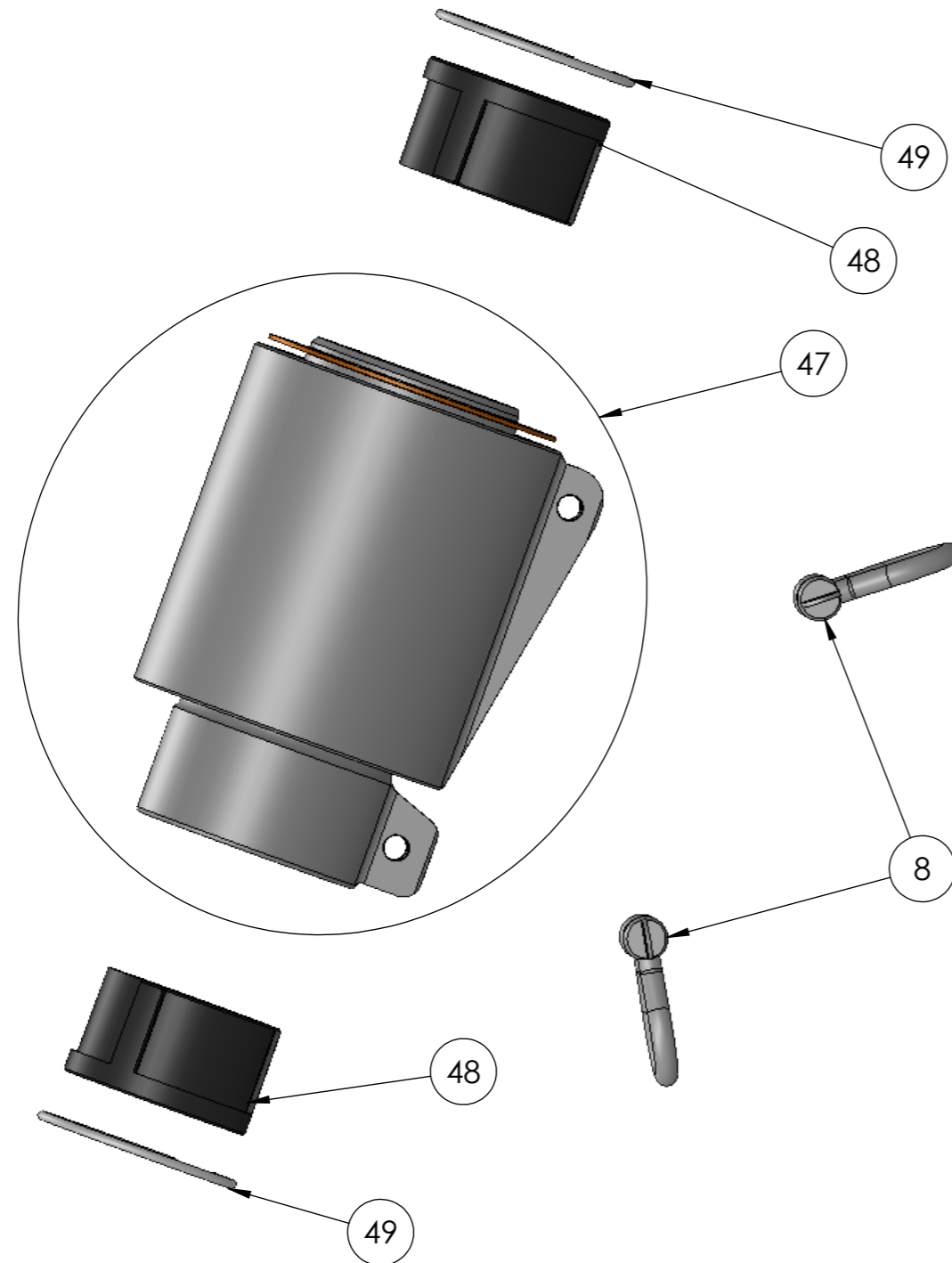
Rep.	Désignation	Description
1	Tambour standard	Standard drum
1 bis	Tambour avec option aval ridoir	Drum with internal turnbuckle option / torque tube
2	Emerillon	Swivel
3	Rondelle déflecteur (RDD)	Halyard deflector wheel (RDD)
4	Bouchon + plaque + pige	Top cap + plate + pin
5	Palier	Bushing
6	Kit profil externe double gorge	Foil section kit
6 bis	Profil externe seul	Twin groove foil section
7	Manille longue	Long shackle
8	Manille lyre	Bow shackle
9	Manchon	Connector
10	Entrée de voile inox + support	Stainless steel sail feeder + support
11	vis TFHC (Profil)	Screw (Foil section)
12	Tubes télescopique	Telescopic section
13	Axe + Ecrou + bague (montage std)	Bottom pin + bolt bushings + bolt (std install.)
14	Kit ridoir complet	Complete link plate kit
15	Vis H fixation latte (KR)	Upper screw (LPK)
16	Cale plastique isolante latte (KR)	Plastic strip (LPK)
17	Latte (KR)	Link plate (lpk)
18	Axe + Ecrou + bague (KR)	Bottom fixing pin + bolt + bushing (LPK)
19	Demi flasque	Half plate
20	Demi coupelle de remplacement	Half protection ring
21	Demi pince fil	Half furling line guide
22	Kit prefender	Pefender kit
23	Kit cordage complet	Complete Furling Line
24	Cordage	Rope
26	Filoir	Fairlead
27	Filoir articulé	Articulated fairlead
45	Bague axe (KR)	Ring for pin (LPK)
46	Bague axe standard	Ring for standard pin

ECLATE "ENROULEURS LX" - PIECES DETACHEES / EXPLODED VIEW OF "LX FURLING SYSTEM" - SPARE PARTS



Rep.	Désignation	Description
19	Demi Flasque	Half Plate
20	Demi coupelle de remplacement x 2	Half protection ring x 2
21	Demi guide + pince fil + visserie	Half guide + fixation + screws
31	Vis TTE avec rondelle	Screw with washer for telescopique section
38	Corps tambour echange standard sans NEZ	Standard exchange drum body without NOSE
40	Nez standard	Standard nose
40bis	Nez avec avale ridoir	Nose with internal turnbuckle fitting / torque tube
41	Lot de 4 vis avec rondelles et contre plaques	Batch of 4 screws and half plates

ECLATE CURSEUR EMERILLON ETANCHES RLTS ACIER
MODELES C14/24/33/39/47 (Profils SX/R) & C38/46 (ancien profil S)
EXPLODED DRAWING OF WATERPROOF HALYARD SWIVEL (STEEL BEARING)
C14/24/33/39/47 (SX/R section) & C38/46 (S former section)

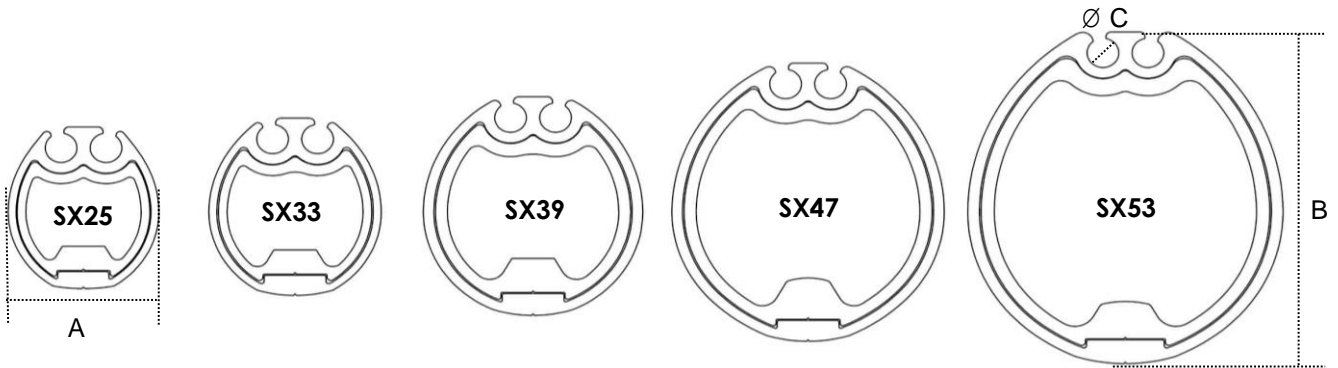


Rep.	Désignation	Description
8	Manille lyre	Bow shack
47	Mécanisme émerillon partiel	Partial swivel mechanism
48	Bague interne	Internal sleeve
49	Jonc	Clips

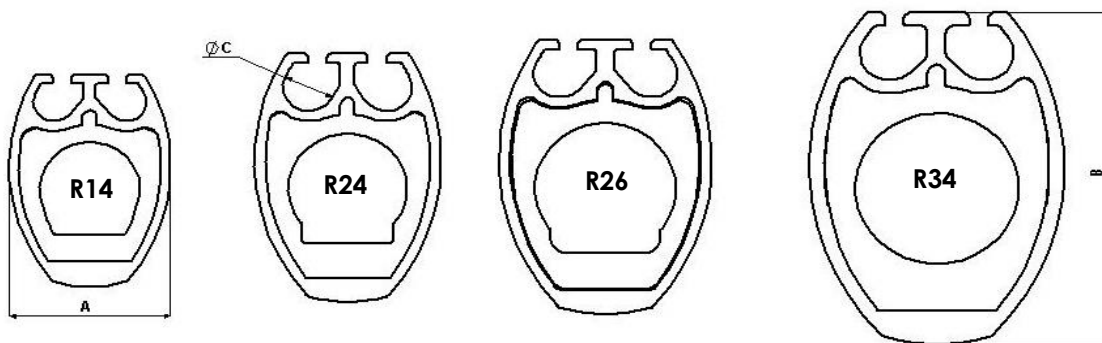
B.P 222, Parc d'Activités.
50550 ST VAAST LA HOUGUE

Tel : (33) 02 33 88 50 22 / Fax : (33) 02 33 23 14 27

Email : info@facnor.com

DIMENSIONS DES PROFILS - MEASUREMENTS OF THE SECTIONS


Reference - section	SX 25	SX33	SX 39	SX 47	SX 53
Ref. - enrouleur/furl.system LS-LX	60-70	100-130	165-180	200-260	330
Ref. - enrouleur/furl.system FD	090	170	210	280	
A	28	33	41	51	60
B	33	36	45	57	68
C	6	6	6	6	6



Reference - section	R14	R24	R26	R34
Ref. - enrouleur/furl.system RX	70-130	165-200	220-260	300
Ref. - enrouleur/furl.system RC	100	180	220	300
Ref. - enrouleur/furl.system FD	110	190	230	310
A	22	25	29	35
B	31	36	40	49
C	5	7	7	8

Les dimensions sont en mm. / Dimensions are in mm.

LX060 SPARE PART LIST
EXP DRAWING# LX01/LX02/LX03

Rep	Reference	Description	
01	09112060040	COMPLETE LX 60 DRUM	
01b	09116060040	LX 60 DRUM + INTERNAL TURN.	OPTION
02	09170025040	COMPLETE RA C25RA SWIVEL	RA
02	09265025040	COMPLETE CT25 SWIVEL	TORLON® BALLS
03	09171000205	RDD PM HAL. DEF. WHEEL	FORESTAY D4-5
03	09171000206	RDD PM HAL. DEF. WHEEL	FORESTAY D6-7
04	09130204250	SX 25 TOP CAP	
05	09130125112	8 SX25 BUSHINGS/D4 FORESTAY	9M40 - BUSHING D5.5
05	09130125122	9 SX25 BUSHINGS/D5-6 FORESTAY	11M40 - BUSHING D7
05	09196025040	SX25 BUSHING/FORESTAY D4 MM	
05	09196025050	SX25 BUSHING D7	FORESTAY D5+6 MM
06	09190025040	COMPLETE 2M SX25 STD SECTION	D4MM FORESTAY
06	09190025041	COMPLETE 2M SX25 STD SECTION	D5+6MM FORESTAY
06	09190125040	COMPLETE 1M SX25 STD SECTION	(FOR D4 MM FORESTAY)
06	09190125041	COMPLETE 1M SX25 STD SECTION	(FOR D5+6 MM FORESTAY)
06b	26132250106	1M ANODISED SX25 EXTERNAL FOIL	
06b	26132250206	2M ANODISED SX25 EXTERNAL FOIL	
07	31001220500	LONG FORGED SHACKLE 5 MM	
08	31001250500	BOW SHACKLE D05MM	
09	26134250036	SX25 CONNECTOR	
10	09130128250	COMPLETE SX25 STD SAIL FEEDER	
11	09130124320	32x SX25/R14+24 SCREWS	
12	26136250166	SX25 TELESCOPIC SECTION	
13	09195025060	D6MM STD PIN + BUSHINGS	L60-70/R70
13	09195025080	D8MM STD PIN + BUSHINGS	L60-70/R70
13	09195025100	D10MM STD PIN + BUSHINGS	L60-70/R70
14	09182251006	LPK 100MM D06 L60/70-R70	
14	09182251008	LPK 100MM D08 L60/70-R70	
14	09182251010	LPK 100MM D10L60/70-R70	
14	09182252006	LPK 200MM D06 L60/70-R70	
14	09182252008	LPK 200MM D08 L60/70-R70	
14	09182252010	LPK 200MM D10 L60/70-R70	
15	20002080160	8X16(5/16"X5/8") HH SCREW	
16	35022000039	FLEXIBLE PLASTIC STRIPS	L165-180/R165-200
17	09183110019	LINK PLATE 100MM D19	L60-130 R70-130
17	09183120019	LINK PLATE 200MM D19	L60-130 R70-130
18	09184251006	PIN LPK D06+BUSHINGS	L60/70-R70
18	09184251009	PIN LPK D08x53+BUSHINGS	L60/70-R70
18	09184251010	PIN LPK D10+BUSHINGS	L60/70-R70
19	14031402506	HALF PLATE L/R70 DRUM	
20	09130131250	PAIR OF HALF PROTECT.	RINGS L60-70/R70

LX060 SPARE PART LIST
EXP DRAWING# LX01/LX02/LX03

Rep	Reference	Description	
21	09160125050	HALF GUDE+FIXATION+SCREWS/L60	
22	09130130000	COMPLETE PRE FEEDER KIT	
23	24106201300	06MMX20M FURLING LINE+1+LEADS*	WHITE/YELLOW ID
24	24106200000	06MMX20M STD FURLING LINE*	WHITE/YELLOW ID
26	24000102200	SINGLE FAIRLEAD+ PRODUCT CARD	REF SL25
27	24000102300	ARTICULATED STANCHION FAIRLEAD	REF ASL25/28
31	09276900030	SCREW+WASHER DRUM NOSE 60=>130	
38	09124060030	STD EXCH LX060+ DRUM	NO NOSE/ PLATE/GD-MACH !
40	09151025040	COMPLETE ROTATING NOSE L60-70	
40b	09153025040	COMPL. ROT. NOSE L60-70+INTERN	TURN. KIT
41	09160225050	4 SCREWS+WASHER+HALF PLATES	L60-70/R70
45	28022423105	BUSHING D10MM PIN LPK L60-70	
45	28022425065	BUSHING D6MM PIN LPK L60-70	
45	28022425085	BUSHING D8MM PIN LPK L60-70	
46	28022525065	NYLON RING FOR D6MM STD PIN	
46	28022525085	NYLON RING FOR D8MM STD PIN	
46	28022525105	NYLON RING FOR D10MM STD PIN	
48	09163025000	SWIVEL INTERNAL BUSHING - SX25	
49	09163125000	C14-25-30 SWIVEL S-S RING	

LX070 SPARE PART LIST
EXPLOD DRAWING# LX01/LX02/LX03

Rep	Reference	Description	
01	09112070040	COMPLETE LX 70 DRUM	
01b	09116070040	LX 70 DRUM + INTERNAL TURN.	OPTION
02	09170025040	COMPLETE RA C25RA SWIVEL	RA
02	09265025040	COMPLETE CT25 SWIVEL	TORLON® BALLS
03	09171000205	RDD PM HAL. DEF. WHEEL	FORESTAY D4-5
03	09171000206	RDD PM HAL. DEF. WHEEL	FORESTAY D6-7
04	09130204250	SX 25 TOP CAP	
05	09130125112	8 SX25 BUSHINGS/D4 FORESTAY	9M40 - BUSHING D5.5
05	09130125122	9 SX25 BUSHINGS/D5-6 FORESTAY	11M40 - BUSHING D7
05	09196025040	SX25 BUSHING/FORESTAY D4 MM	
05	09196025050	SX25 BUSHING D7	FORESTAY D5+6 MM
06	09190025040	COMPLETE 2M SX25 STD SECTION	D4MM FORESTAY
06	09190025041	COMPLETE 2M SX25 STD SECTION	D5+6MM FORESTAY
06	09190125040	COMPLETE 1M SX25 STD SECTION	(FOR D4 MM FORESTAY)
06	09190125041	COMPLETE 1M SX25 STD SECTION	(FOR D5+6 MM FORESTAY)

LX070 SPARE PART LIST
EXPLOD DRAWING# LX01/LX02/LX03

Rep	Reference	Description	
06b	26132250106	1M ANODISED SX25 EXTERNAL FOIL	
06b	26132250206	2M ANODISED SX25 EXTERNAL FOIL	
07	31001220500	LONG FORGED SHACKLE 5 MM	
08	31001250500	BOW SHACKLE D05MM	
09	26134250036	SX25 CONNECTOR	
10	09130128250	COMPLETE SX25 STD SAIL FEEDER	
11	09130124320	32x SX25/R14+24 SCREWS	
12	26136250166	SX25 TELESCOPIC SECTION	
13	09195025060	D6MM STD PIN + BUSHINGS	L60-70/R70
13	09195025080	D8MM STD PIN + BUSHINGS	L60-70/R70
13	09195025100	D10MM STD PIN + BUSHINGS	L60-70/R70
14	09182251006	LPK 100MM D06 L60/70-R70	
14	09182251008	LPK 100MM D08 L60/70-R70	
14	09182251010	LPK 100MM D10L60/70-R70	
14	09182252006	LPK 200MM D06 L60/70-R70	
14	09182252008	LPK 200MM D08 L60/70-R70	
14	09182252010	LPK 200MM D10 L60/70-R70	
15	20002080160	8X16(5/16"X5/8") HH SCREW	
16	35022000039	FLEXIBLE PLASTIC STRIPS	L165-180/R165-200
17	09183110019	LINK PLATE 100MM D19	L60-130 R70-130
17	09183120019	LINK PLATE 200MM D19	L60-130 R70-130
18	09184251006	PIN LPK D06+BUSHINGS	L60/70-R70
18	09184251009	PIN LPK D08x53+BUSHINGS	L60/70-R70
18	09184251010	PIN LPK D10+BUSHINGS	L60/70-R70
19	14031402506	HALF PLATE L/R70 DRUM	
20	09130131250	PAIR OF HALF PROTECT.	RINGS L60-70/R70
21	09160125055	HALF GUDE+FIX+SCREWS/L-R70	
22	09130130000	COMPLETE PRE FEEDER KIT	
23	24106201300	06MMX20M FURLING LINE+1+LEADS*	WHITE/YELLOW ID
24	24106200000	06MMX20M STD FURLING LINE*	WHITE/YELLOW ID
26	24000102200	SINGLE FAIRLEAD+ PRODUCT CARD	REF SL25
27	24000102300	ARTICULATED STANCHION FAIRLEAD	REF ASL25/28
31	09276900030	SCREW+WASHER DRUM NOSE 60=>130	
38	09124070030	STD EXCH LX070+ DRUM	NO NOSE/ PLATE/GD-MACH ;
40	09151025040	COMPLETE ROTATING NOSE L60-70	
40b	09153025040	COMPL. ROT. NOSE L60-70+INTERN	TURN. KIT
41	09160225050	4 SCREWS+WASHER+HALF PLATES	L60-70/R70
45	28022423105	BUSHING D10MM PIN LPK L60-70	
45	28022425065	BUSHING D6MM PIN LPK L60-70	
45	28022425085	BUSHING D8MM PIN LPK L60-70	
46	28022525065	NYLON RING FOR D6MM STD PIN	

LX070 SPARE PART LIST
EXPLOD DRAWING# LX01/LX02/LX03

Rep	Reference	Description	
46	28022525085	NYLON RING FOR D8MM STD PIN	
46	28022525105	NYLON RING FOR D10MM STD PIN	
48	09163025000	SWIVEL INTERNAL BUSHING - SX25	
49	09163125000	C14-25-30 SWIVEL S-S RING	

LX100 SPARE PART LIST
EXPLOD DRAWING# LX01/LX02/LX03

Rep	Reference	Description	
01	09112100040	COMPLETE LX 100 DRUM	
01b	09116100040	LX 100 DRUM + INTERNAL TURN. OPTION	
02	09170033040	COMPLETE RA C33 SWIVEL	
03	09171000205	RDD PM HAL. DEF. WHEEL FORESTAY D4-5	
03	09171000206	RDD PM HAL. DEF. WHEEL FORESTAY D6-7	
04	09130204330	SX33 TOP CAP	
05	09130125132	10 SX33 BUSHINGSS/D5 FORESTAY 13M40 - BUSHING D6.5	
05	09130125144	11 SX33 BUSHINGS/D6+7 FORESTAY 15M50 - BUSHING D8	
05	09196033050	SX33 D6.5 BUSHING/FORESTAY D5	
05	09196033070	SX33 BUSHING D8/FORESTAY D6+7	
06	09190033040	COMPLETE 2M SX33 STD SECTION (FOR D5 MM FORESTAY)	
06	09190033041	COMPLETE 2M SX33 STD SECTION (FOR D6+7 MM FORESTAY)	
06	09190133040	COMPLETE 1M SX33 STD SECTION (FOR D5 MM FORESTAY)	
06	09190133041	COMPLETE 1M SX33 STD SECTION (FOR D6+7 MM FORESTAY)	
06b	26132330106	1M ANODISED SX33 EXTERNAL FOIL	
06b	26132330206	2M ANODISED SX33 EXTERNAL FOIL	
07	31001220600	LONG FORGED SHACKLE 6 MM	
08	31001250600	BOW SHACKLE D06MM	
09	26134330036	SX33 CONNECTOR	
10	09130128330	COMPLETE SX33 STD SAIL FEEDER	
11	09130124140	28x SX33/R26 SREWS	
12	26136330166	SX33 TELESCOPIC SECTION	
13	09195033080	D08MM STD PIN + BUSHINGS L100-130/R100-130	
13	09195033100	D10MM STD PIN + BUSHINGS L100-130/R100-130	
13	09195033120	D12MM STD PIN + BUSHINGS L100-130/R100-130	
13	09195033130	D12.7MM STD PIN + BUSHINGS L100-130/R100-130	
14	09182331008	LPK 100MM D08 L100-130R100-130	
14	09182331010	LPK 100MM D10 L100-130-R100-130	
14	09182331012	LPK 100MM D12 L100-130-R100-130	
14	09182331013	LPK 100MM D12.7 L100-130-R100-130	

LX100 SPARE PART LIST
EXPLOD DRAWING# LX01/LX02/LX03

Rep	Reference	Description	
14	09182332008	LPK 200MM D08	L100-130-R100-130
14	09182332010	LPK 200MM D10	L100-130-R100-130
14	09182332012	LPK 200MM D12	L100-130-R100-130
14	09182332013	LPK 200MM D12.7	L100-130-R100-130
15	20002080160	8X16(5/16"X5/8") HH SCREW	
16	35022000025	FLEXIBLE PLASTIC STRIPS	L60-130/R70-130
17	09183110019	LINK PLATE 100MM D19	L60-130 R70-130
17	09183120019	LINK PLATE 200MM D19	L60-130 R70-130
18	09184331008	PIN LPK D08+BUSHINGS	L-R100/130
18	09184331010	PIN LPK D10+BUSHINGS	L-R100/130
18	09184331012	PIN LPK D12+BUSHINGS	L-R100/130
18	09184331013	PIN LPK D12.7+BUSHINGS	L-R100/130
19	14031552506	HALF PLATE L/R 100 DRUM	
20	09130131330	PAIR OF HALF PROTECT.	RINGS L/R100-130
21	09160133050	HALF GUDE+FIX+SCREWS/L-R100	
22	09130130000	COMPLETE PRE FEEDER KIT	
23	24106201300	06MMX20M FURLING LINE+1+LEADS*	WHITE/YELLOW ID
24	24106200000	06MMX20M STD FURLING LINE*	WHITE/YELLOW ID
26	24000102200	SINGLE FAIRLEAD+ PRODUCT CARD	REF SL25
27	24000102300	ARTICULATED STANCHION FAIRLEAD	REF ASL25/28
31	09276900030	SCREW+WASHER DRUM NOSE 60=>130	
38	09124100030	STD EXCH LX100+ DRUM	NO NOSE/ PLATE/GD-MACH :
40	09151033040	COMPLETE ROTATING NOSE	L100-130
40b	09153033040	COMPL. ROT. NOSE L100-130+	INTERN. TUN. KIT
41	09160233050	4 SCREWS+WASHER+HALF PLATES	L100-130/R100-130
45	28022433085	BUSHING D8MM PIN LPK L100-130	
45	28022433105	BUSHING D10MM PIN LPK L100-130	
45	28022433130	BUSHING D12.7MM PIN LPK	L100-130
46	28022533085	NYLON RING FOR D8.5MM STD PIN	L+R100
46	28022533105	NYLON RING FOR D10.5MM STD PIN	L+R100-130
46	28022533125	NYLON RING FOR D12.5MM STD PIN	L+R100-130
46	28022533130	NYLON RING FOR D13MM STD PIN	L+R100-130
48	09163033000	SWIVEL INTERNAL BUSHING - SX33	
49	09163133000	CHD24-33 SWIVEL S-S RING	

LX130 SPARE PART LIST
EXPLOD DRAWING# LX01/LX02/LX03

Rep	Reference	Description	
-----	-----------	-------------	--

LX130 SPARE PART LIST
EXPLOD DRAWING# LX01/LX02/LX03

Rep	Reference	Description	
01	09112130040	COMPLETE LX 130 DRUM	
01b	09116130040	LX 130 DRUM + INTERNAL TURN.	OPTION
02	09170033040	COMPLETE RA C33 SWIVEL	
03	09171000205	RDD PM HAL. DEF. WHEEL	FORESTAY D4-5
03	09171000206	RDD PM HAL. DEF. WHEEL	FORESTAY D6-7
04	09130204330	SX33 TOP CAP	
05	09130125132	10 SX33 BUSHINGSS/D5 FORESTAY	13M40 - BUSHING D6.5
05	09130125144	11 SX33 BUSHINGS/D6+7 FORESTAY	15M50 - BUSHING D8
05	09196033050	SX33 D6.5 BUSHING/FORESTAY D5	
05	09196033070	SX33 BUSHING D8/FORESTAY D6+7	
06	09190033040	COMPLETE 2M SX33 STD SECTION	(FOR D5 MM FORESTAY)
06	09190033041	COMPLETE 2M SX33 STD SECTION	(FOR D6+7 MM FORESTAY)
06	09190133040	COMPLETE 1M SX33 STD SECTION	(FOR D5 MM FORESTAY)
06	09190133041	COMPLETE 1M SX33 STD SECTION	(FOR D6+7 MM FORESTAY)
06b	26132330106	1M ANODISED SX33 EXTERNAL FOIL	
06b	26132330206	2M ANODISED SX33 EXTERNAL FOIL	
08	31001250600	BOW SHACKLE D06MM	
09	26134330036	SX33 CONNECTOR	
10	09130128330	COMPLETE SX33 STD SAIL FEEDER	
11	09130124140	28x SX33/R26 SREWS	
12	26136330166	SX33 TELESCOPIC SECTION	
13	09195033100	D10MM STD PIN + BUSHINGS	L100-130/R100-130
13	09195033120	D12MM STD PIN + BUSHINGS	L100-130/R100-130
13	09195033130	D12.7MM STD PIN + BUSHINGS	L100-130/R100-130
14	09182331008	LPK 100MM D08	L100-130R100-130
14	09182331010	LPK 100MM D10	L100-130-R100-130
14	09182331012	LPK 100MM D12	L100-130-R100-130
14	09182331013	LPK 100MM D12.7	L100-130-R100-130
14	09182332008	LPK 200MM D08	L100-130-R100-130
14	09182332010	LPK 200MM D10	L100-130-R100-130
14	09182332012	LPK 200MM D12	L100-130-R100-130
14	09182332013	LPK 200MM D12.7	L100-130-R100-130
15	20002080160	8X16(5/16"X5/8") HH SCREW	
16	35022000025	FLEXIBLE PLASTIC STRIPS	L60-130/R70-130
17	09183110019	LINK PLATE 100MM D19	L60-130 R70-130
17	09183120019	LINK PLATE 200MM D19	L60-130 R70-130
18	09184331008	PIN LPK D08+BUSHINGS	L-R100/130
18	09184331010	PIN LPK D10+BUSHINGS	L-R100/130
18	09184331012	PIN LPK D12+BUSHINGS	L-R100/130
18	09184331013	PIN LPK D12.7+BUSHINGS	L-R100/130
19	14031752506	HALF PLATE L/R130 DRUM	

LX130 SPARE PART LIST
EXPLOD DRAWING# LX01/LX02/LX03

Rep	Reference	Description	
20	09130131330	PAIR OF HALF PROTECT. RINGS L/R100-130	
21	09160133055	HALF GUDE+FIX+SCREWS/L-R130	
22	09130130000	COMPLETE PRE FEEDER KIT	
23	24108241300	08MMX20M FURLING LINE+1+3LEADS GREY/BLUE ID	
24	24108240000	08MMX24M STD FURLING LINE* GREY/BLUE ID	
26	24000102200	SINGLE FAIRLEAD+ PRODUCT CARD REF SL25	
27	24000102300	ARTICULATED STANCHION FAIRLEAD REF ASL25/28	
31	09276900030	SCREW+WASHER DRUM NOSE 60=>130	
38	09124130030	STD EXCH LX130+ DRUM NO NOSE/ PLATE/GD-MACH !	
40	09151033040	COMPLETE ROTATING NOSE L100-130	
40b	09153033040	COMPL. ROT. NOSE L100-130+ INTERN. TUN. KIT	
41	09160233050	4 SCREWS+WASHER+HALF PLATES L100-130/R100-130	
45	28022433085	BUSHING D8MM PIN LPK L100-130	
45	28022433105	BUSHING D10MM PIN LPK L100-130	
45	28022433130	BUSHING D12.7MM PIN LPK L100-130	
46	28022533085	NYLON RING FOR D8.5MM STD PIN L+R100	
46	28022533105	NYLON RING FOR D10.5MM STD PIN L+R100-130	
46	28022533125	NYLON RING FOR D12.5MM STD PIN L+R100-130	
46	28022533130	NYLON RING FOR D13MM STD PIN L+R100-130	
48	09163033000	SWIVEL INTERNAL BUSHING - SX33	
49	09163133000	CHD24-33 SWIVEL S-S RING	

LX165 SPARE PART LIST
EXPLOD DRAWING# LX01/LX02/LX03

Rep	Reference	Description	
01	09112165040	COMPLETE LX 165 DRUM	
01b	09116165040	LX 165 DRUM + INTERNAL TURN. OPTION	
02	09170039040	COMPLETE RA C39 SWIVEL D8 SHACKLE	
03	09171000306	RDD MM HAL. DEF. WHEEL FORESTAY D6-7-8	
03	09171000310	RDD MM HAL. DEF. WHEEL FORESTAY D10	
04	09130204390	SX39 TOP CAP	
05	09130125152	12 SX39 BUSHING/D6-7-8FORESTAY 17M50 - BUSHING D9.5	
05	09130125158	12 SX39 BUSHINGS/D10 FORESTAY 17M50 - BUSHING D11	
05	09190139040	COMPLETE 1M SX39 STD SECTION (FOR D6+7+8 MM FORESTAY	
05	09196039080	SX39 BEARING/FORESTAY D6+7+8MM D9.5 BEARING	
05	09196039100	SX39 BEARING/FORESTAY D10 MM D11 BEARING	
06	09190039040	COMPLETE 2M SX39 STD SECTION (FOR D6+7+8 MM FORESTAY	
06	09190039041	COMPLETE 2M SX39 STD SECTION (FOR D10 MM FORESTAY)	

LX165 SPARE PART LIST
EXPLOD DRAWING# LX01/LX02/LX03

Rep	Reference	Description	
06	09190139041	COMPLETE 1M SX39 STD SECTION (FOR D10 MM FORESTAY)	
06b	26132390106	1M ANODISED SX39 EXTERNAL FOIL	
06b	26132390206	2M ANODISED SX39 EXTERNAL FOIL	
07	31001220600	LONG FORGED SHACKLE 6 MM	
08	31001250600	BOW SHACKLE D06MM	
09	26134390036	SX39 CONNECTOR	
10	09130128390	COMPLETE SX39 STD SAIL FEEDER	
11	09130124150	36x SX39+47/R34 SCREWS - 16M50	
12	26136390166	SX39 TELESCOPIC SECTION	
13	09195039100	D10MM STD PIN + BUSHINGS L165-180/R165-200	
13	09195039120	D12MM STD PIN + BUSHINGS L165-180/R165-200	
13	09195039130	D12.7MM STD PIN + BUSHINGS L165-180/R165-200	
13	09195039140	D14MM STD PIN + BUSHINGS L165-180/R165-200	
13	09195039160	D16MM STD PIN + BUSHINGS L165-180/R165-200	
14	09182391510	LPK 150MM D10 L165-180-R165-200	
14	09182391512	LPK 150MM D12 L165-180-R165-200	
14	09182391513	LPK 150MM D12.7 L165-180-R165-200	
14	09182391514	LPK 150MM D14 L165-180-R165-200	
14	09182391516	LPK 150MM D16 L165-180-R165-200	
14	09182392510	LPK 250MM D10 L165-180-R165-200	
14	09182392512	LPK 250MM D12 L165-180-R165-200	
14	09182392513	LPK 250MM D12.7 L165-180-R165-200	
14	09182392514	LPK 250MM D14 L165-180-R165-200	
14	09182392516	LPK 250MM D16 L165-180-R165-200	
15	20002080160	8X16(5/16"X5/8") HH SCREW	
16	35022000039	FLEXIBLE PLASTIC STRIPS L165-180/R165-200	
17	09183315019	LINK PLATE 150MM D20/165-180	
17	09183325019	LINK PLATE 250MM D20/165-180	
18	09184391510	PIN LPK D10+BUSHINGS L165/180+R165.200	
18	09184391512	PIN LPK D12+BUSHINGS L165/180+R165/200	
18	09184391513	PIN LPK D12.7+BUSHINGS L165/80+R165/200	
18	09184391514	PIN LPK D14+BUSHINGS L165/180+R165/200	
18	09184391516	PIN LPK D16+BUSHINGS L165/180+R165/200	
19	14031903006	HALF PLATE L/R165 DRUM	
20	09130131390	PAIR HALF PROTECT. RINGS L165-180/R165-200	
21	09160139050	HALF GUDE+FIX+SCREWS/L-R165	
22	09130130000	COMPLETE PRE FEEDER KIT	
23	24108241300	08MMX20M FURLING LINE+1+3LEADS GREY/BLUE ID	
24	24108240000	08MMX24M STD FURLING LINE* GREY/BLUE ID	
26	24000102200	SINGLE FAIRLEAD+ PRODUCT CARD REF SL25	
27	24000102300	ARTICULATED STANCHION FAIRLEAD REF ASL25/28	

LX165 SPARE PART LIST
EXPLOD DRAWING# LX01/LX02/LX03

Rep	Reference	Description	
31	09276900035	SCREW+WASHER DRUM NOSE165=>260	
38	09124165030	STD EXCH LX165+ DRUM	NO NOSE/ PLATE/GD-MACH !
40	09151039040	COMPLETE ROTATING NOSE	L165-180
40b	09153039040	COMPL.ROT. NOSE L165-180+	INTERN. TURN. KIT
41	09160239050	4 SCREWS+WASHER+HALF PLATES	L165-180/R165-220
45	28022439105	BUSHING D10MM PIN LPK L165-180	
45	28022439130	BUSHING D12.7MM PIN LPK	L165-180
45	28022439145	BUSHING D14MM PIN LPK L165-180	
45	28022439165	BUSHNG D16MM PIN LPK L165-180	
46	28022539125	NYLON RING FOR D12.5MM STD PIN	L+R165-180
46	28022539130	NYLON RING FOR D13MM STD PIN	L+R165-180
46	28022539145	NYLON RING FOR D14.5MM STD PIN	L+R165-180
46	28022539165	NYLON RING FOR D16.5MM STD PIN	L+R165-180
48	09163039000	SWIVEL INTERNAL BUSHING - SX39	
49	09163139000	CHD26-39 SWIVEL S-S RING	

LX180 SPARE PART LIST
EXPLOD DRAWING# LX01/LX02/LX03

Rep	Reference	Description	
01	09112180040	COMPLETE LX 180 DRUM	
01b	09116180040	LX 180 DRUM + INTERNAL TURN.	OPTION
02	09170039040	COMPLETE RA C39 SWIVEL	D8 SHACKLE
03	09171000306	RDD MM HAL. DEF. WHEEL	FORESTAY D6-7-8
03	09171000310	RDD MM HAL. DEF. WHEEL	FORESTAY D10
03	09171000312	RDD MM HAL. DEF. WHEEL	FORESTAY D12
04	09130204390	SX39 TOP CAP	
05	09130125152	12 SX39 BUSHING/D6-7-8FORESTAY	17M50 - BUSHING D9.5
05	09130125158	12 SX39 BUSHINGS/D10 FORESTAY	17M50 - BUSHING D11
05	09130125168	12 SX39 BUSHINGS-D12 FORESTAY	17M50 - BUSHING D13(11)
05	09196039080	SX39 BEARING/FORESTAY D6+7+8MM	D9.5 BEARING
05	09196039100	SX39 BEARING/FORESTAY D10 MM	D11 BEARING
05	09196039120	SX39 BUSHING/FORESTAY D12 MM	.
06	09190039040	COMPLETE 2M SX39 STD SECTION	(FOR D6+7+8 MM FORESTAY
06	09190039041	COMPLETE 2M SX39 STD SECTION	(FOR D10 MM FORESTAY)
06	09190039042	COMPLETE 2M SX39 STD SECTION	(FOR D12 MM FORESTAY)
06	09190139040	COMPLETE 1M SX39 STD SECTION	(FOR D6+7+8 MM FORESTAY
06	09190139041	COMPLETE 1M SX39 STD SECTION	(FOR D10 MM FORESTAY)
06	09190139042	COMPLETE 1M SX39 STD SECTION	(FOR D12 MM FORESTAY)

LX180 SPARE PART LIST
EXPLOD DRAWING# LX01/LX02/LX03

Rep	Reference	Description	
06b	26132390106	1M ANODISED SX39 EXTERNAL FOIL	
06b	26132390206	2M ANODISED SX39 EXTERNAL FOIL	
07	31001220600	LONG FORGED SHACKLE 6 MM	
08	31001250600	BOW SHACKLE D06MM	
09	26134390036	SX39 CONNECTOR	
10	09130128390	COMPLETE SX39 STD SAIL FEEDER	
11	09130124150	36x SX39+47/R34 SCREWS - 16M50	
12	26136390166	SX39 TELESCOPIC SECTION	
13	09195039100	D10MM STD PIN + BUSHINGS	L165-180/R165-200
13	09195039120	D12MM STD PIN + BUSHINGS	L165-180/R165-200
13	09195039130	D12.7MM STD PIN + BUSHINGS	L165-180/R165-200
13	09195039140	D14MM STD PIN + BUSHINGS	L165-180/R165-200
13	09195039160	D16MM STD PIN + BUSHINGS	L165-180/R165-200
14	09182391510	LPK 150MM D10	L165-180-R165-200
14	09182391512	LPK 150MM D12	L165-180-R165-200
14	09182391513	LPK 150MM D12.7	L165-180-R165-200
14	09182391514	LPK 150MM D14	L165-180-R165-200
14	09182391516	LPK 150MM D16	L165-180-R165-200
14	09182392510	LPK 250MM D10	L165-180-R165-200
14	09182392512	LPK 250MM D12	L165-180-R165-200
14	09182392513	LPK 250MM D12.7	L165-180-R165-200
14	09182392514	LPK 250MM D14	L165-180-R165-200
14	09182392516	LPK 250MM D16	L165-180-R165-200
15	20002080160	8X16(5/16"X5/8") HH SCREW	
16	35022000039	FLEXIBLE PLASTIC STRIPS	L165-180/R165-200
17	09183315019	LINK PLATE 150MM D20/165-180	
17	09183325019	LINK PLATE 250MM D20/165-180	
18	09184391510	PIN LPK D10+BUSHINGS	L165/180+R165.200
18	09184391512	PIN LPK D12+BUSHINGS	L165/180+R165/200
18	09184391513	PIN LPK D12.7+BUSHINGS	L165/80+R165/200
18	09184391514	PIN LPK D14+BUSHINGS	L165/180+R165/200
18	09184391516	PIN LPK D16+BUSHINGS	L165/180+R165/200
19	14032053006	HALF PLATE L180/R200 DRUM	
20	09130131390	PAIR HALF PROTECT.	RINGS L165-180/R165-200
21	09160139055	HALF GUDE+FIX+SCREWS/L180-R220	
22	09130130000	COMPLETE PRE FEEDER KIT	
23	24108241300	08MMX20M FURLING LINE+1+3LEADS	GREY/BLUE ID
24	24108240000	08MMX24M STD FURLING LINE*	GREY/BLUE ID
26	24000102200	SINGLE FAIRLEAD+ PRODUCT CARD	REF SL25
27	24000102300	ARTICULATED STANCHION FAIRLEAD	REF ASL25/28
31	09276900035	SCREW+WASHER DRUM NOSE165=>260	

LX180 SPARE PART LIST
EXPLOD DRAWING# LX01/LX02/LX03

Rep	Reference	Description	
38	09124180030	STD EXCH LX180+ DRUM	NO NOSE/ PLATE/GD-MACH :
40	09151039040	COMPLETE ROTATING NOSE	L165-180
40b	09153039040	COMPL.ROT. NOSE L165-180+	INTERN. TURN. KIT
41	09160239050	4 SCREWS+WASHER+HALF PLATES	L165-180/R165-220
45	28022439105	BUSHING D10MM PIN LPK L165-180	
45	28022439130	BUSHING D12.7MM PIN LPK	L165-180
45	28022439145	BUSHING D14MM PIN LPK L165-180	
45	28022439165	BUSHNG D16MM PIN LPK L165-180	
46	28022539125	NYLON RING FOR D12.5MM STD PIN	L+R165-180
46	28022539130	NYLON RING FOR D13MM STD PIN	L+R165-180
46	28022539145	NYLON RING FOR D14.5MM STD PIN	L+R165-180
46	28022539165	NYLON RING FOR D16.5MM STD PIN	L+R165-180
48	09163039000	SWIVEL INTERNAL BUSHING - SX39	
49	09163139000	CHD26-39 SWIVEL S-S RING	

LX200 SPARE PART LIST
EXPLOD DRAWING# LX01/LX02/LX03

Rep	Reference	Description	
01	09112200040	COMPLETE LX 200 DRUM	
01b	09116200040	LX 200 DRUM + INTERNAL TURN.	OPTION
02	09170047040	COMPLETE RA C47 SWIVEL	
03	09171000508	RDD GM HAL. DEF. WHEEL	FORESTAY D8-10-11.1
03	09171000509	RDD GM HAL. DEF. WHEEL	FORESTAY D9.52
03	09171000512	RDD GM HAL. DEF. WHEEL	FORESTAY D12-12.7
03	09171000514	RDD GM HAL. DEF. WHEEL	FORESTAY D14
03	09171000516	RDD GM HAL. DEF. WHEEL	FORESTAY D16(MCHND)
04	09130204470	SX47 TOP CAP	
05	09130125173	13 SX47 BUSHNG/D8-9.52FORESTAY	19M50 - BUSHING D10.5
05	09130125184	14 SX47 BUSHINGS/D10 FORESTAY	21M50 - BUSHING D12
05	09130125186	14 SX47 BUSHG/D12+12.7FORESTAY	21M50 - BUSHING D14.5
05	09130125188	14 SX47 BUSHINGS/D14 FORESTAY	21M50 - BUSHING D16
05	09130125189	14 SX47 BUSHINGS/D16 FORESTAY	21M50 - BUSHING D18
05	09196047080	SX47 BUSHING/FORESTAY D10 MM	
05	09196047090	SX47 BUSHING/FORESTAY D8+9.52	
05	09196047120	SX47 BUSHING/FORESTAY D12MM	
05	09196047140	SX47 BUSHING/FORESTAY D14MM	
05	09196047160	SX47 BUSHING/FORESTAY D16 MM	
06	09190047040	COMPLETE 2M SX47 STD SECTION	(FOR D10 MM FORESTAY)

LX200 SPARE PART LIST
EXPLOD DRAWING# LX01/LX02/LX03

Rep	Reference	Description	
06	09190047041	COMPLETE 2M SX47 STD SECTION (FOR D12 MM FORESTAY)	
06	09190047042	COMPLETE 2M SX47 STD SECTION (FOR D14 MM FORESTAY)	
06	09190047043	COMPLETE 2M SX47 STD SECTION (FOR D16 MM FORESTAY)	
06	09190147040	COMPLETE 1M SX47 STD SECTION (FOR D10 MM FORESTAY)	
06	09190147041	COMPLETE 1M SX47 STD SECTION (FOR D12 MM FORESTAY)	
06	09190147042	COMPLETE 1M SX47 STD SECTION (FOR D14 MM FORESTAY)	
06	09190147043	COMPLETE 1M SX47 STD SECTION (FOR D16 MM FORESTAY)	
06b	26132470106	1M ANODISED SX47 EXTERNAL FOIL	
06b	26132470206	2M ANODISED SX47 EXTERNAL FOIL	
07	31001220800	LONG FORGED SHACKLE 8 MM	
08	31001250800	BOW SHACKLE D08MM	
09	26134470036	SX47 CONNECTOR	
10	09130128470	COMPLETE SX47 STD SAIL FEEDER BENETEAU GROUP ONLY	
11	09130124150	36x SX39+47/R34 SCREWS - 16M50	
12	26136470166	SX47 TELESCOPIC SECTION	
13	09195047120	D12MM STD PIN + BUSHINGS L200	
13	09195047130	D12.7MM STD PIN + BUSHINGS L200	
13	09195047140	D14MM STD PIN + BUSHINGS L200	
13	09195047160	D16MM STD PIN + BUSHINGS L200-330/R260-300	
13	09195047180	D18MM STD PIN + BUSHINGS L200-330/R260-300	
13	09195047190	D19MM STD PIN + BUSHINGS L200-330/R260-300	
13	09195047200	D20MM STD PIN + BUSHINGS L200-330/R260-300	
13	09195047220	D22MM STD PIN + BUSHINGS L200-330/R260-300	
14	09182471512	LPK 150MM D12 L200-290-R260-300	
14	09182471513	LPK 150MM D12.7 L200-290-R260-300	
14	09182471514	LPK 150MM D14 I200-290-R260-300	
14	09182471516	LPK 150MM D16 L200-290-R260-300	
14	09182471518	LPK 150MM D18 L200-290-R260-300	
14	09182471519	LPK 150MM D19 L200-290-R260-300	
14	09182471520	LPK 150MM D20 L200-290-R260-300	
14	09182471522	LPK 150MM D22 L200-290-R260-300	
14	09182471525	LPK 150MM D25 L200-290-330-R260-300	
14	09182472512	LPK 250MM D12 L200-290-R260-300	
14	09182472513	LPK 250MM D12.7 L200-290-R260-300	
14	09182472514	LPK 250MM D14 L200-290-R260-3000	
14	09182472516	LPK 250MM D16 L200-290-R260-300	
14	09182472518	LPK 250MM D18 L200-290-R260-300	
14	09182472519	LPK 250MM D19 L200-290R260-300	
14	09182472520	LPK 250MM D20 L200-290-R260-300	
14	09182472522	LPK 250MM D22 L200-290-R260-300	
14	09182473512	LPK 350MM D12 L200-290-R260-300	

LX200 SPARE PART LIST
EXPLOD DRAWING# LX01/LX02/LX03

Rep	Reference	Description	
14	09182473513	LPK 350MM D12.7	L200-290-R260-300
14	09182473514	LPK 350MM D14	L200-290-R260-300
14	09182473516	LPK 350MM D16	L200-290-R260-300
14	09182473518	LPK 350MM D18	L200-290-R260-300
14	09182473519	LPK 350MM D19	L200-290-R260-300
14	09182473520	LPK 350MM D20	L200-290-R260-300
14	09182473522	LPK 350MM D22	L200-290-R260-300
15	20002100180	10X18(13/32"X23/32")HH SCREW	
16	35022000047	FLEXIBLE PLASTIC STRIPS	L200-330-R260-300
17	09183515020	LINK PLATE 150MM D26/200-230	
17	09183525020	LINK PLATE 250MM D26/200-330	
17	09183535020	LINK PLATE 350MM D26/200-330	
18	09184471512	PIN LPK D12+BUSHINGS	L200/290+R260/300
18	09184471513	PIN LPK D12.7+BUSHINGS	L200/290+R260/300
18	09184471514	PIN LPK D14+BUSHINGS	L200/290-R260/300
18	09184471516	PIN LPK D16+BUSHINGS	L200/290+R260/300
18	09184471518	PIN LPK D18+BUSHINGS	L200/290-R260/300
18	09184471519	PIN LPK D19+BUSHINGS	L200/290-R260/300
18	09184471520	PIN LPK D20+BUSHINGS	L200/290-R260/300
18	09184471522	PIN LPK D22+BUSHINGS	L200/290-R260/300
19	14032204006	HALF PLATE L200/R260 DRUM	
20	09130131470	PAIR HALF PROTECT. RINGS	L200-290-330/R260-300
21	09160147050	HALF GUDE+FIX+SCREWS/L200-R260	
22	09130130000	COMPLETE PRE FEEDER KIT	
23	24110241400	10MMX24M FURLING LINE+1+4LEADS	GREY/BLUE ID
24	24110240000	10MMX24M STD FURLING LINE*	GREY/BLUE ID
26	24000102200	SINGLE FAIRLEAD+ PRODUCT CARD	REF SL25
27	24000102300	ARTICULATED STANCHION FAIRLEAD	REF ASL25/28
31	09276900037	SCREW+WASHER DRUM NOSE200=>300	SX47/R34
38	09124200030	STD EXCH LX200+ DRUM	NO NOSE/ PLATE/GD-MACH !
40	09151047040	COMPLETE ROTATING NOSE	L200-290
40b	09153047040	COMPL. ROT. NOSE L200-290+	INTERN. TURN. KIT
41	09160247050	4 SCREWS+WASHER+HALF PLATES	L200-290/R260-300
45	28022447125	BUSHING D12MM PIN LPK L165-180	
45	28022447130	BUSHING D12.7MM PIN LPK	L200-290
45	28022447145	BUSHING D14MM PIN LPK L200-290	
45	28022447165	BUSHING D16MM PIN LPK L200-290	
45	28022447185	BUSHING D18.5MM PINLPKL200-290	50MM WIDE TOGGLE
45	28022447205	BUSHING D20.5MM PINLPKL200-290	60MM WIDE TOGGLE
46	28022545165	NYLON RING FOR D16.5MM STD PIN	L200-330
46	28022545185	NYLON RING FOR D18.5MM STD PIN	L200-330

LX200 SPARE PART LIST

EXPLOD DRAWING# LX01/LX02/LX03

Rep	Reference	Description	
46	28022545205	NYLON RING FOR D20.5MM STD PIN	L200-330
46	28022545225	NYLON RING FOR D22.5MM STD PIN	L200-330
46	28022547125	NYLON BUSHING D12.5MM STD PIN	L200
46	28022547130	NYLON BUSHING D13MM STD PIN	L200
46	28022547145	NYLON BUSHING D14.5MM STD PIN	L200
48	09163047000	SWIVEL INTERNAL BUSHING - SX47	
49	09163147000	CHD34-47 SWIVEL S-S RING	

LX290 SPARE PART LIST

EXPLOD DRAWING# LX01/LX02/LX03

Rep	Reference	Description	
01	09112290040	COMPLETE LX 290 DRUM	
01b	09116290040	LX 290 DRUM + INTERNAL TURN.	OPTION
02	09170047040	COMPLETE RA C47 SWIVEL	
03	09171000508	RDD GM HAL. DEF. WHEEL	FORESTAY D8-10-11.1
03	09171000509	RDD GM HAL. DEF. WHEEL	FORESTAY D9.52
03	09171000512	RDD GM HAL. DEF. WHEEL	FORESTAY D12-12.7
03	09171000514	RDD GM HAL. DEF. WHEEL	FORESTAY D14
04	09130204470	SX47 TOP CAP	
05	09130125184	14 SX47 BUSHINGS/D10 FORESTAY	21M50 - BUSHING D12
05	09130125186	14 SX47 BUSHG/D12+12.7FORESTAY	21M50 - BUSHING D14.5
05	09130125188	14 SX47 BUSHINGS/D14 FORESTAY	21M50 - BUSHING D16
05	09130125189	14 SX47 BUSHINGS/D16 FORESTAY	21M50 - BUSHING D18
05	09196047080	SX47 BUSHING/FORESTAY D10 MM	
05	09196047090	SX47 BUSHING/FORESTAY D8+9.52	
05	09196047120	SX47 BUSHING/FORESTAY D12MM	
05	09196047140	SX47 BUSHING/FORESTAY D14MM	
05	09196047160	SX47 BUSHING/FORESTAY D16 MM	
06	09190047040	COMPLETE 2M SX47 STD SECTION	(FOR D10 MM FORESTAY)
06	09190047041	COMPLETE 2M SX47 STD SECTION	(FOR D12 MM FORESTAY)
06	09190047042	COMPLETE 2M SX47 STD SECTION	(FOR D14 MM FORESTAY)
06	09190047043	COMPLETE 2M SX47 STD SECTION	(FOR D16 MM FORESTAY)
06	09190147040	COMPLETE 1M SX47 STD SECTION	(FOR D10 MM FORESTAY)
06	09190147041	COMPLETE 1M SX47 STD SECTION	(FOR D12 MM FORESTAY)
06	09190147042	COMPLETE 1M SX47 STD SECTION	(FOR D14 MM FORESTAY)
06	09190147043	COMPLETE 1M SX47 STD SECTION	(FOR D16 MM FORESTAY)
06b	26132470106	1M ANODISED SX47 EXTERNAL FOIL	
06b	26132470206	2M ANODISED SX47 EXTERNAL FOIL	

LX290 SPARE PART LIST
EXPLOD DRAWING# LX01/LX02/LX03

Rep	Reference	Description	
07	31001220800	LONG FORGED SHACKLE 8 MM	
08	31001250800	BOW SHACKLE D08MM	
08+7	09130202470	SHACKLE KIT L200-290/R260-300	
09	26134470036	SX47 CONNECTOR	
10	09130128470	COMPLETE SX47 STD SAIL FEEDER	BENETEAU GROUP ONLY
11	09130124150	36x SX39+47/R34 SCREWS - 16M50	
12	26136470166	SX47 TELESCOPIC SECTION	
13	09195047160	D16MM STD PIN + BUSHINGS	L200-330/R260-300
13	09195047180	D18MM STD PIN + BUSHINGS	L200-330/R260-300
13	09195047190	D19MM STD PIN + BUSHINGS	L200-330/R260-300
13	09195047200	D20MM STD PIN + BUSHINGS	L200-330/R260-300
13	09195047220	D22MM STD PIN + BUSHINGS	L200-330/R260-300
14	09182471512	LPK 150MM D12	L200-290-R260-300
14	09182471513	LPK 150MM D12.7	L200-290-R260-300
14	09182471514	LPK 150MM D14	L200-290-R260-300
14	09182471516	LPK 150MM D16	L200-290-R260-300
14	09182471518	LPK 150MM D18	L200-290-R260-300
14	09182471519	LPK 150MM D19	L200-290-R260-300
14	09182471520	LPK 150MM D20	L200-290-R260-300
14	09182471522	LPK 150MM D22	L200-290-R260-300
14	09182471525	LPK 150MM D25	L200-290-330-R260-300
14	09182472512	LPK 250MM D12	L200-290-R260-300
14	09182472513	LPK 250MM D12.7	L200-290-R260-300
14	09182472514	LPK 250MM D14	L200-290-R260-3000
14	09182472516	LPK 250MM D16	L200-290-R260-300
14	09182472518	LPK 250MM D18	L200-290-R260-300
14	09182472519	LPK 250MM D19	L200-290R260-300
14	09182472520	LPK 250MM D20	L200-290-R260-300
14	09182472522	LPK 250MM D22	L200-290-R260-300
14	09182473512	LPK 350MM D12	L200-290-R260-300
14	09182473513	LPK 350MM D12.7	L200-290-R260-300
14	09182473514	LPK 350MM D14	L200-290-R260-300
14	09182473516	LPK 350MM D16	L200-290-R260-300
14	09182473518	LPK 350MM D18	L200-290-R260-300
14	09182473519	LPK 350MM D19	L200-290-R260-300
14	09182473520	LPK 350MM D20	L200-290-R260-300
14	09182473522	LPK 350MM D22	L200-290-R260-300
15	20002100180	10X18(13/32"X23/32")HH SCREW	
16	35022000047	FLEXIBLE PLASTIC STRIPS	L200-330-R260-300
17	09183515020	LINK PLATE 150MM D26/200-230	
17	09183525020	LINK PLATE 250MM D26/200-330	

LX290 SPARE PART LIST
EXPLOD DRAWING# LX01/LX02/LX03

Rep	Reference	Description	
17	09183535020	LINK PLATE 350MM D26/200-330	
18	09184471512	PIN LPK D12+BUSHINGS	L200/290+R260/300
18	09184471513	PIN LPK D12.7+BUSHINGS	L200/290+R260/300
18	09184471514	PIN LPK D14+BUSHINGS	L200/290-R260/300
18	09184471516	PIN LPK D16+BUSHINGS	L200/290+R260/300
18	09184471518	PIN LPK D18+BUSHINGS	L200/290-R260/300
18	09184471519	PIN LPK D19+BUSHINGS	L200/290-R260/300
18	09184471520	PIN LPK D20+BUSHINGS	L200/290-R260/300
18	09184471522	PIN LPK D22+BUSHINGS	L200/290-R260/300
19	14032504006	HALF PLATE L290/R300 DRUM	
20	09130131470	PAIR HALF PROTECT. RINGS	L200-290-330/R260-300
21	09160147055	HALF GUDE+FIX+SCREWS/L290-R300	
22	09130130000	COMPLETE PRE FEEDER KIT	
23	24110241400	10MMX24M FURLING LINE+1+4LEADS	GREY/BBLUE ID
24	24110240000	10MMX24M STD FURLING LINE*	GREY/BBLUE ID
26	24000102200	SINGLE FAIRLEAD+ PRODUCT CARD	REF SL25
27	24000102300	ARTICULATED STANCHION FAIRLEAD	REF ASL25/28
31	09276900037	SCREW+WASHER DRUM NOSE200=>300	SX47/R34
38	09124290030	STD EXCH LX290+ DRUM	NO NOSE/ PLATE/GD-MACH !
40	09151047040	COMPLETE ROTATING NOSE	L200-290
40b	09153047040	COMPL. ROT. NOSE L200-290+	INTERN. TURN. KIT
41	09160247050	4 SCREWS+WASHER+HALF PLATES	L200-290/R260-300
45	28022447125	BUSHING D12MM PIN LPK L165-180	
45	28022447130	BUSHING D12.7MM PIN LPK	L200-290
45	28022447145	BUSHING D14MM PIN LPK L200-290	
45	28022447165	BUSHING D16MM PIN LPK L200-290	
45	28022447185	BUSHING D18.5MM PINLPKL200-290	50MM WIDE TOGGLE
45	28022447205	BUSHING D20.5MM PINLPKL200-290	60MM WIDE TOGGLE
45	28022447225	BUSHING D22.5 PIN LPK L200-330	
46	28022545165	NYLON RING FOR D16.5MM STD PIN	L200-330
46	28022545185	NYLON RING FOR D18.5MM STD PIN	L200-330
46	28022545205	NYLON RING FOR D20.5MM STD PIN	L200-330
46	28022545225	NYLON RING FOR D22.5MM STD PIN	L200-330
46	28022547125	NYLON BUSHING D12.5MM STD PIN	L200
46	28022547130	NYLON BUSHING D13MM STD PIN	L200
46	28022547145	NYLON BUSHING D14.5MM STD PIN	L200
48	09163047000	SWIVEL INTERNAL BUSHING - SX47	
49	09163147000	CHD34-47 SWIVEL S-S RING	

LX330 SPARE PART LIST
EXPLOD DRAWING# LX01/LX02/LX03

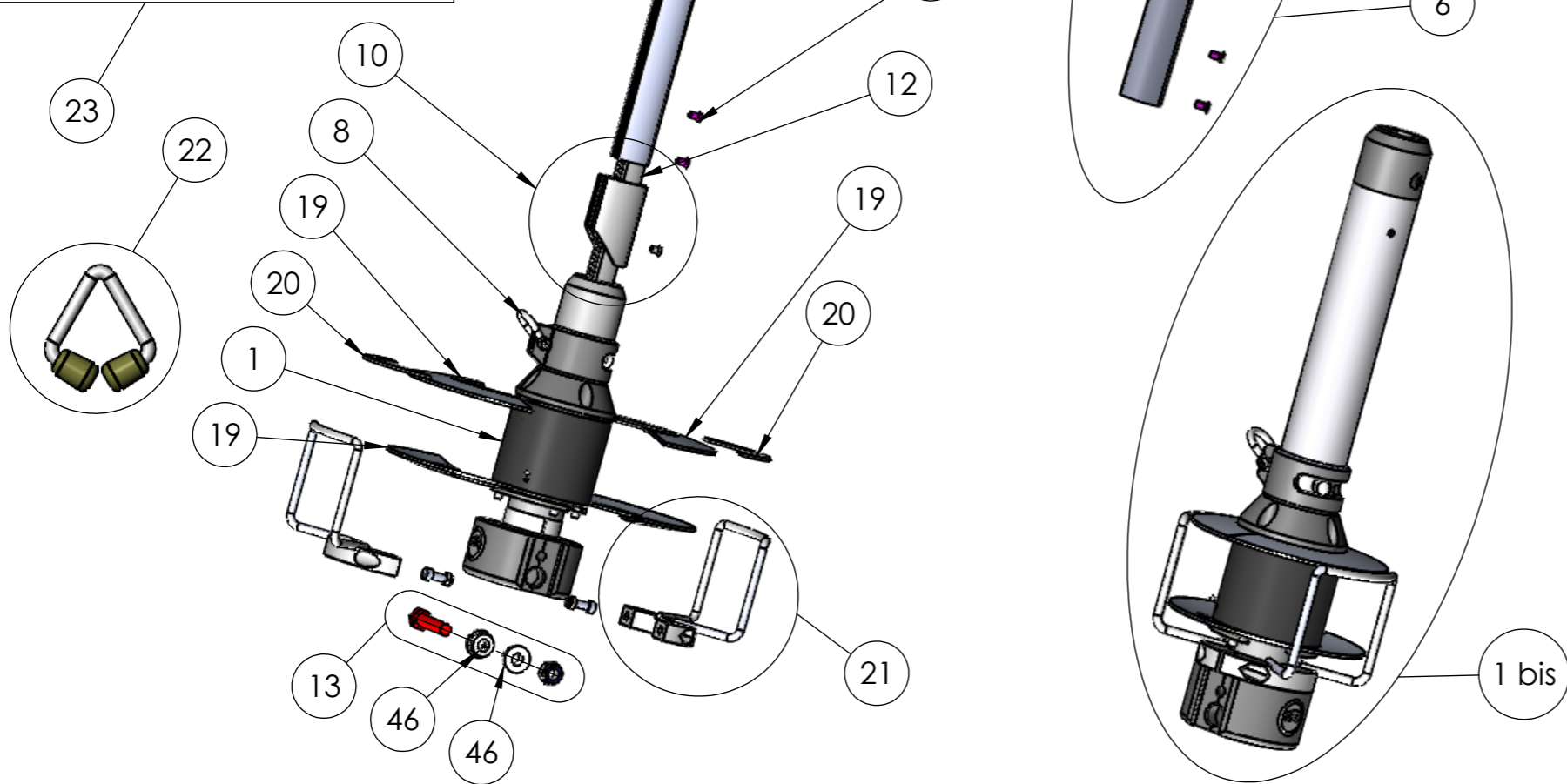
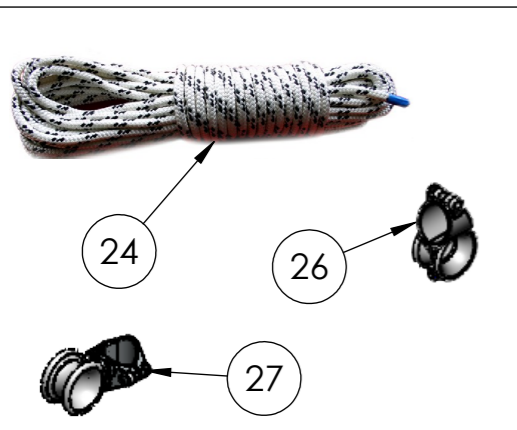
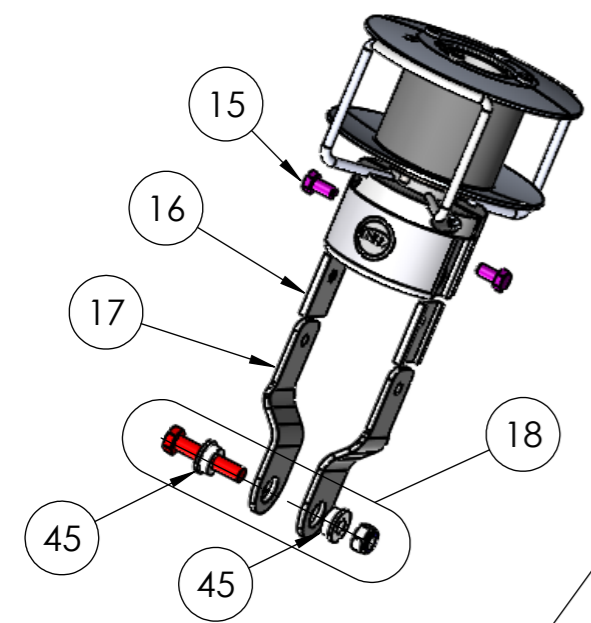
Rep	Reference	Description	
01b	09114330040	LS 330 DRUM + INTERNAL TURN.	OPTION
02	09266053040	C600 HALYARD SWIVEL	
03	09171000613	RDD TGM HAL. DEF. WHEEL	FORESTAY D12.7
03	09171000614	RDD TGM HAL. DEF. WHEEL	FORESTAY D14
03	09171000616	RDD TGM HAL. DEF. WHEEL	FORESTAY D16
03	09171000619	RDD TGM HAL. DEF. WHEEL	FORESTAY D19
03	09171000620	RDD TGM HAL. DEF. WHEEL	FORESTAY D20
03	09171000622	RDD TGM HAL. DEF. WHEEL	FORESTAY D22
04	09130204530	SX53 TOP CAP	
05	09130125191	15 SX53 BUSHG/D12+12.7FORESTAY	23M50 - BUSHING D14
05	09130125192	15 SX53 BUSHINGS/D14 FORESTAY	23M50 - BUSHING D16
05	09130125194	15 SX53 BUSHINGS/D16 FORESTAY	23M50 - BUSHING D18.5
05	09130125196	15 SX53 BUSHINGS/D19 FORESTAY	23M50 - BUSHING D21
05	09130125198	15 SX53 BUSHINGS/D20 FORESTAY	23M50 - BUSHING D21 MCHN
05	09130125199	15 SX53 BUSHINGS-D22 FORESTAY	23M50 - BUSHING D21 MCHN
05	09196053130	SX53 BUSHING/FORESTAY D12.7MM	
05	09196053140	SX53 BUSHING/FORESTAY D14MM	
05	09196053160	SX53 BUSHING/FORESTAY D16MM	
05	09196053190	SX53 BUSHING/FORESTAY D18/19MM	
05	09196053200	SX53 BUSHING/FORESTAY D20MM	
05	09196053220	SX53 BUSHING/FORESTAY D22MM	
06	09190053040	COMPLETE 2M SX53 STD SECTION	(FOR D12 MM FORESTAY)
06	09190053041	COMPLETE 2M SX53 STD SECTION	(FOR D14 MM FORESTAY)
06	09190053042	COMPLETE 2M SX53 STD SECTION	(FOR D16 MM FORESTAY)
06	09190053043	COMPLETE 2M SX53 STD SECTION	(FOR D19 MM FORESTAY)
06	09190053045	COMPLETE 2M SX53 STD SECTION	(FOR D22 MM FORESTAY)
06	09190153040	COMPLETE 1M SX53 STD SECTION	(FOR D12 MM FORESTAY)
06	09190153041	COMPLETE 1M SX53 STD SECTION	(FOR D14 MM FORESTAY)
06	09190153042	COMPLETE 1M SX53 STD SECTION	(FOR D16 MM FORESTAY)
06	09190153043	COMPLETE 1M SX53 STD SECTION	(FOR D19 MM FORESTAY)
06	09190153044	COMPLETE 1M SX53 STD SECTION	(FOR D20 MM FORESTAY)
06	09190153045	COMPLETE 1M SX53 STD SECTION	(FOR D22 MM FORESTAY)
06b	26132530106	1M ANODISED SX53 EXTERNAL FOIL	
06b	26132530206	2M ANODISED SX53 EXTERNAL FOIL	
07	31001221000	LONG FORGED SHACKLE 10MM	
08	31001251000	BOW SHACKLE D10MM	
09	26134530036	SX53 CONNECTOR	
10	09130128530	COMPLETE SX53 STD SAIL FEEDER	
11	09130124190	44x SX53 SCREWS TFXM6x12+TUKLO	
12	26136530166	SX53 TELESCOPIC SECTION	
13	09195047180	D18MM STD PIN + BUSHINGS	L200-330/R260-300

LX330 SPARE PART LIST
EXPLOD DRAWING# LX01/LX02/LX03

Rep	Reference	Description	
13	09195047190	D19MM STD PIN + BUSHINGS	L200-330/R260-300
13	09195047200	D20MM STD PIN + BUSHINGS	L200-330/R260-300
13	09195047220	D22MM STD PIN + BUSHINGS	L200-330/R260-300
14	09182531522	LPK 150MM D22	L330
14	09182531525	LPK 150MM D25	L330
14	09182531530	LPK 150MM D30	L330
14	09182531531	LPK 150MM D31.8	L330
14	09182532522	LPK 250MM D22	L330
14	09182532525	LPK 250MM D25	L330
14	09182532530	LPK 250MM D30	L330
14	09182533522	LPK 350MM D22	L330
14	09182533525	LPK 350MM D25	L330
14	09182533530	LPK 350MM D30	L330
14	09182533531	LPK 350MM D31.8	L330
15	20002100180	10X18(13/32"X23/32")HH SCREW	
16	35022000047	FLEXIBLE PLASTIC STRIPS	L200-330-R260-300
17	09183515015	LINK PLATE 150MM/	220-330-R260-300
17	09183525015	LINK PLATE 250MM/330	
17	09183535015	LINK PLATE 350MM/330	
18	09184531522	PIN LPK D22+BUSHINGS	L330
18	09184531525	PIN LPK D25+BUSHINGS 60	L330
18	09184531526	PIN LPK D25+BUSHINGS 63.5	L330
18	09184531527	PIN LPK D25+BUSHINGS 70	L330
18	09184531528	PIN LPK D28+BUSHINGS	L330
18	09184531531	PIN LPK D21+BUSHINGS	L330
19	14032954006	HALF PLATE L330 DRUM	
20	09130131470	PAIR HALF PROTECT. RINGS	L200-290-330/R260-300
21	09160153050	HALF GUDE+FIX+SCREWS/L330	
22	09130130000	COMPLETE PRE FEEDER KIT	
26	24000102200	SINGLE FAIRLEAD+ PRODUCT CARD	REF SL25
27	24000102300	ARTICULATED STANCHION FAIRLEAD	REF ASL25/28
31	09276900040	SCREW+WASHER DRUM NOSE 330	
38	09124330030	STD EXCH LX330+ DRUM	NO NOSE/ PLATE/GD-MACH :
40b	09152053040	COMPL. FIX NOSE L330+INTERN.	TURN. KIT
41	09160347050	4F SCREWS+WASHER+HALF PLATES	L200-290-330/R30-VIS FLUOR
45	28022453165	BUSHING D16.5MM PINLPKL330	60/80MM WIDE TOGGLE
45	28022453225	BUSHING D20MM PIN LPK L330	
46	28022545185	NYLON RING FOR D18.5MM STD PIN	L200-330
48	09163053000	SWIVEL INTERNAL BUSHING - SX53	
49	09163153000	CX53 SWIVEL S-S RING	

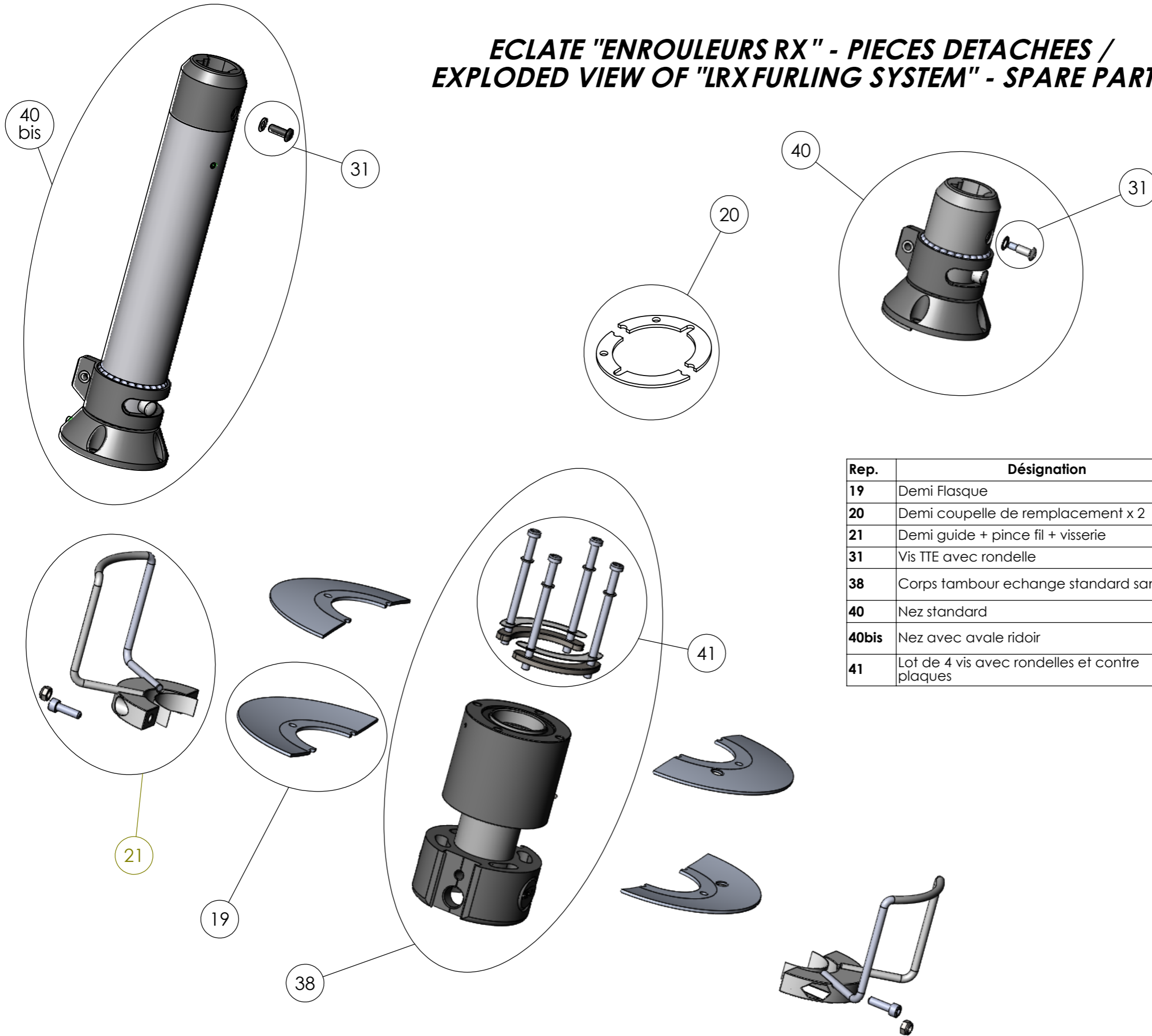
14 Montage avec option kit ridoir /
Installation with link plate option

**ECLATE "ENROULEURS RX" - PIECES DETACHEES /
EXPLODED VIEW OF "RX FURLING SYSTEM" - SPARE PARTS**



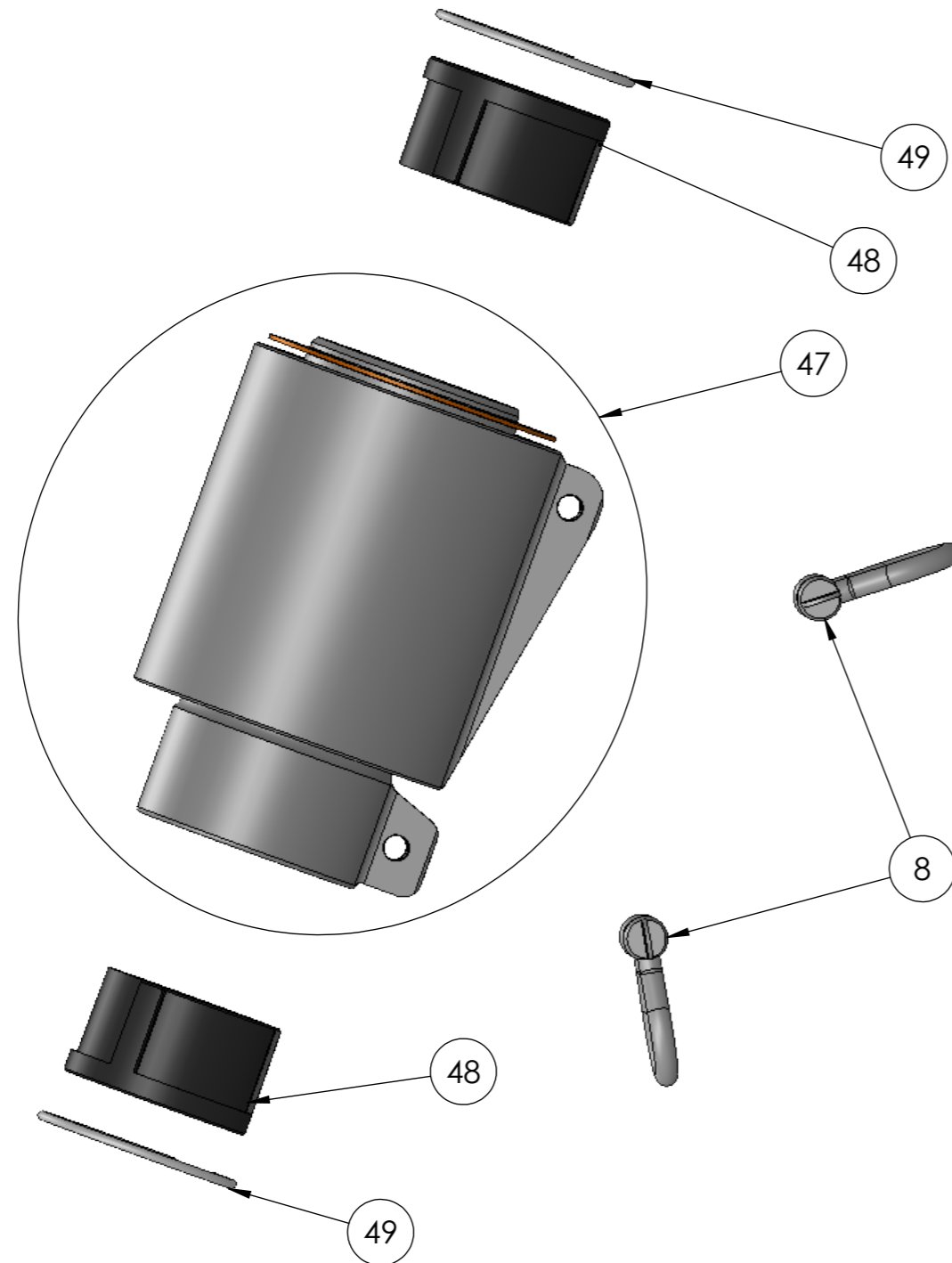
Rep.	Désignation	Description
1	Tambour standard	Standard drum
1 bis	Tambour avec option aval ridoir	Drum with internal turnbuckle option / torque tube
2	Emerillon	Swivel
3	Rondelle déflecteur (RDD)	Halyard deflector wheel (RDD)
4	Bouchon + plaque + pige	Top cap + plate + pin
5	Palier	Bushing
6	Kit profil externe double gorge	Foil section kit
6 bis	Profil externe seul	Twin groove foil section
7	Manille longue	Long shackle
8	Manille lyre	Bow shackle
9	Manchon	Connector
10	Entrée de voile standard + vis	Standard sail feeder + screw
11	vis TFHC (Profil)	Screw (Foil section)
12	Tubes télescopique	Telescopic section
13	Axe + Ecrou + bague (montage std)	Bottom pin + bolt bushings + bolt (std install.)
14	Kit ridoir complet	Complete link plate kit
15	Vis H fixation latte (KR)	Upper screw (LPK)
16	Cale plastique isolante latte (KR)	Plastic strip (LPK)
17	Latte (KR)	Link plate (lpk)
18	Axe + Ecrou + bague (KR)	Bottom fixing pin + bolt + bushing (LPK)
19	Demi flasque	Half plate
20	Demi coupelle de remplacement	Half protection ring
21	Demi pince fil	Half furling line guide
22	Kit prefender	Pefender kit
23	Kit cordage complet	Complete Furling Line
24	Cordage	Rope
26	Filoir	Fairlead
27	Filoir articulé	Articulated fairlead
45	Bague axe (KR)	Ring for pin (LPK)
46	Bague axe standard	Ring for standard pin

**ECLATE "ENROULEURS RX" - PIECES DETACHEES /
EXPLODED VIEW OF "LRX FURLING SYSTEM" - SPARE PARTS**



Rep.	Désignation	Description
19	Demi Flasque	Half Plate
20	Demi coupelle de remplacement x 2	Half protection ring x 2
21	Demi guide + pince fil + visserie	Half guide + fixation + screws
31	Vis TTE avec rondelle	Screw with washer for telescopique section
38	Corps tambour echange standard sans NEZ	Standard exchange drum body without NOSE
40	Nez standard	Standard nose
40bis	Nez avec avale ridoir	Nose with internal turnbuckle fitting / torque tube
41	Lot de 4 vis avec rondelles et contre plaques	Batch of 4 screws and half plates

ECLATE CURSEUR EMERILLON ETANCHES RLTS ACIER
MODELES C14/24/33/39/47 (Profils SX/R) & C38/46 (ancien profil S)
EXPLODED DRAWING OF WATERPROOF HALYARD SWIVEL (STEEL BEARING)
C14/24/33/39/47 (SX/R section) & C38/46 (S former section)

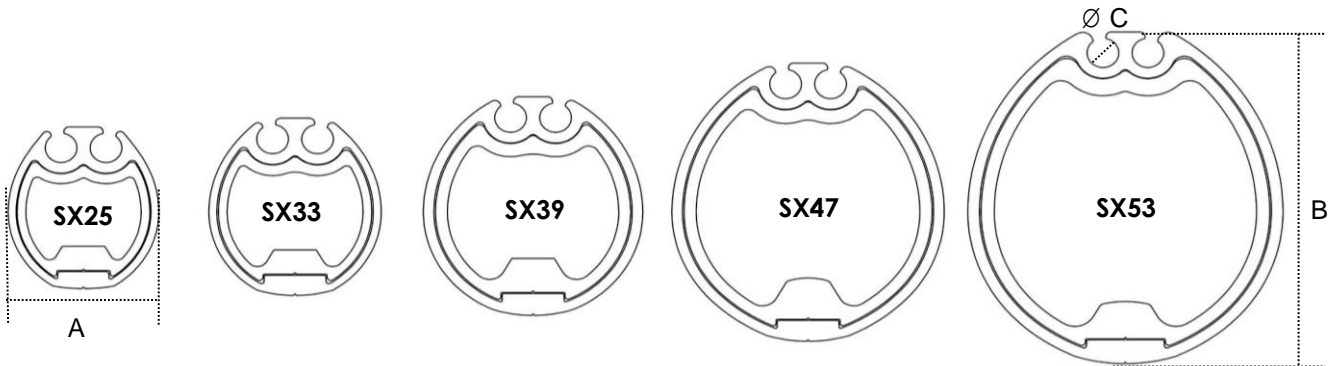


Rep.	Désignation	Description
8	Manille lyre	Bow shack
47	Mécanisme émerillon partiel	Partial swivel mechanism
48	Bague interne	Internal sleeve
49	Jonc	Clips

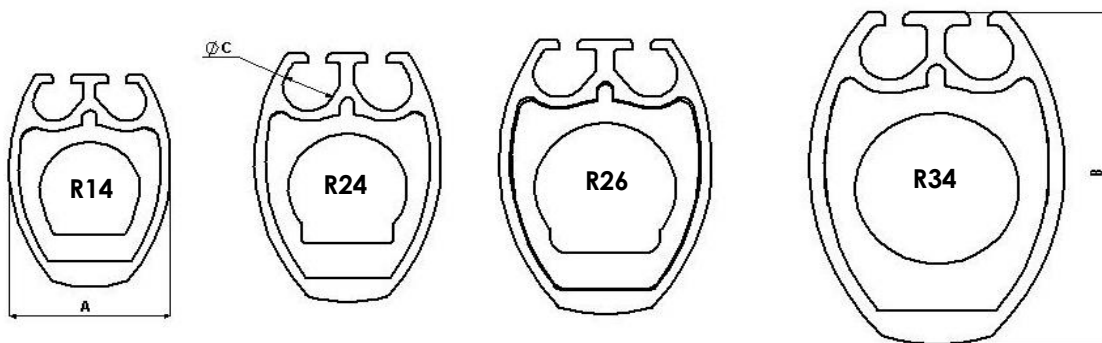
B.P 222, Parc d'Activités.
50550 ST VAAST LA HOUGUE

Tel : (33) 02 33 88 50 22 / Fax : (33) 02 33 23 14 27

Email : info@facnor.com

DIMENSIONS DES PROFILS - MEASUREMENTS OF THE SECTIONS


Reference - section	SX 25	SX33	SX 39	SX 47	SX 53
Ref. - enrouleur/furl.system LS-LX	60-70	100-130	165-180	200-260	330
Ref. - enrouleur/furl.system FD	090	170	210	280	
A	28	33	41	51	60
B	33	36	45	57	68
C	6	6	6	6	6



Reference - section	R14	R24	R26	R34
Ref. - enrouleur/furl.system RX	70-130	165-200	220-260	300
Ref. - enrouleur/furl.system RC	100	180	220	300
Ref. - enrouleur/furl.system FD	110	190	230	310
A	22	25	29	35
B	31	36	40	49
C	5	7	7	8

Les dimensions sont en mm. / Dimensions are in mm.

RX070 SPARE PART LIST
EXPLOD DRAWING# RX01/RX02/RX03

Rep	Reference	Description	
01	09113070040	COMPLETE RX 70 DRUM	
01b	09117070040	RX 70 DRUM + INTERNAL TURN.	OPTION
02	09170014030	COMPLETE RA C14RA SWIVEL *****	RA
02	09265014040	COMPLETE CT14 SWIVEL	
03	09171000205	RDD PM HAL. DEF. WHEEL	FORESTAY D4-5
03	09171000206	RDD PM HAL. DEF. WHEEL	FORESTAY D6-7
04	09130204140	R14 TOP CAP	
05	09130125312	9 R14 BUSHINGS/D4+5 FORESTAY	11M40 - BUSHING D6.5
05	09130125324	11 R14 BUSHINGS/D6+7 FORESTAY	15M50 - BUSHING D8
05	09196014040	OLD R14 BUSHING	D4+5 MM FORESTAY
05	09196014060	R14 BUSHING	FORESTAY DIAM. 6+7 MM
06	09190014040	COMPLETE 2M R14 STD SECTION	(FOR D4+5 MM FORESTAY)
06	09190014041	COMPLETE 2M R14 STD SECTION	(FOR D6+7 MM FORESTAY)
06	09190114040	COMPLETE 1M R14 STD SECTION	(FOR D4+5 MM FORESTAY)
06	09190114041	COMPLETE 1M R14 STD SECTION	(FOR D6+7 MM FORESTAY)
06b	26095014102	1M ANODISED R14 EXTERNAL FOIL	
06b	26095014202	2M ANODISED R14 EXTERNAL FOIL	
07	31001220500	LONG FORGED SHACKLE 5 MM	
08	31001250500	BOW SHACKLE D05MM	
09	26097014030	R14 CONNECTOR	
10	09130128140	COMPLETE R14 STD SAIL FEEDER	
11	09130124320	32x SX25/R14+24 SCREWS	
12	26136140166	R14 TELESCOPIC SECTION	
13	09195025060	D6MM STD PIN + BUSHINGS	L60-70/R70
13	09195025080	D8MM STD PIN + BUSHINGS	L60-70/R70
13	09195025100	D10MM STD PIN + BUSHINGS	L60-70/R70
14	09182251006	LPK 100MM D06 L60/70-R70	
14	09182251008	LPK 100MM D08 L60/70-R70	
14	09182251010	LPK 100MM D10L60/70-R70	
14	09182252006	LPK 200MM D06 L60/70-R70	
14	09182252008	LPK 200MM D08 L60/70-R70	
14	09182252010	LPK 200MM D10 L60/70-R70	
15	20002080160	8X16(5/16"X5/8") HH SCREW	
16	35022000025	FLEXIBLE PLASTIC STRIPS	L60-130/R70-130
17	09183110019	LINK PLATE 100MM D19	L60-130 R70-130
17	09183120019	LINK PLATE 200MM D19	L60-130 R70-130
18	09184251006	PIN LPK D06+BUSHINGS	L60/70-R70
18	09184251009	PIN LPK D08x53+BUSHINGS	L60/70-R70
18	09184251010	PIN LPK D10+BUSHINGS	L60/70-R70
19	14031402506	HALF PLATE L/R70 DRUM	
20	09130131250	PAIR OF HALF PROTECT.	RINGS L60-70/R70

RX070 SPARE PART LIST
EXPLOD DRAWING# RX01/RX02/RX03

Rep	Reference	Description	
21	09160125055	HALF GUDE+FIX+SCREWS/L-R70	
22	09130130000	COMPLETE PRE FEEDER KIT	
23	24106201300	06MMX20M FURLING LINE+1+LEADS* WHITE/YELLOW ID	
24	24106200000	06MMX20M STD FURLING LINE* WHITE/YELLOW ID	
26	24000102200	SINGLE FAIRLEAD+ PRODUCT CARD REF SL25	
27	24000102300	ARTICULATED STANCHION FAIRLEAD REF ASL25/28	
31	09276900030	SCREW+WASHER DRUM NOSE 60=>130	
38	09126070030	STD EXCH RX070+ DRUM NO NOSE/ PLATE/GD-MACH !	
40	09151014040	COMPLETE ROTATING NOSE R70 FOR R14 FOIL SECTION	
40b	09153014040	COMPL. ROT. NOSE R100-130+ INTERN. TURN. KIT	
41	09160225050	4 SCREWS+WASHER+HALF PLATES L60-70/R70	
48	09163014000	SWIVEL INTERNAL BUSHING - R14	
49	09163125000	C14-25-30 SWIVEL S-S RING	

RX100 SPARE PART LIST
EXPLOD DRAWING# RX01/RX02/RX03

Rep	Reference	Description	
01	09113100040	COMPLETE RX 100 DRUM	
01b	09117100040	RX 100 DRUM + INTERNAL TURN. OPTION	
02	09170014030	COMPLETE RA C14RA SWIVEL***** RA	
03	09171000205	RDD PM HAL. DEF. WHEEL FORESTAY D4-5	
03	09171000206	RDD PM HAL. DEF. WHEEL FORESTAY D6-7	
04	09130204140	R14 TOP CAP	
05	09130125312	9 R14 BUSHINGS/D4+5 FORESTAY 11M40 - BUSHING D6.5	
05	09130125324	11 R14 BUSHINGS/D6+7 FORESTAY 15M50 - BUSHING D8	
05	09196014040	OLD R14 BUSHING D4+5 MM FORESTAY	
05	09196014060	R14 BUSHING FORESTAY DIAM. 6+7 MM	
06	09190014040	COMPLETE 2M R14 STD SECTION (FOR D4+5 MM FORESTAY)	
06	09190014041	COMPLETE 2M R14 STD SECTION (FOR D6+7 MM FORESTAY)	
06	09190114040	COMPLETE 1M R14 STD SECTION (FOR D4+5 MM FORESTAY)	
06	09190114041	COMPLETE 1M R14 STD SECTION (FOR D6+7 MM FORESTAY)	
06b	26095014102	1M ANODISED R14 EXTERNAL FOIL	
06b	26095014202	2M ANODISED R14 EXTERNAL FOIL	
07	31001220600	LONG FORGED SHACKLE 6 MM	
08	31001250600	BOW SHACKLE D06MM	
09	26097014030	R14 CONNECTOR	
10	09130128140	COMPLETE R14 STD SAIL FEEDER	
11	09130124320	32x SX25/R14+24 SCREWS	

RX100 SPARE PART LIST
EXPLOD DRAWING# RX01/RX02/RX03

Rep	Reference	Description	
12	26136140166	R14 TELESCOPIC SECTION	
13	09195033080	D08MM STD PIN + BUSHINGS	L100-130/R100-130
13	09195033100	D10MM STD PIN + BUSHINGS	L100-130/R100-130
13	09195033120	D12MM STD PIN + BUSHINGS	L100-130/R100-130
13	09195033130	D12.7MM STD PIN + BUSHINGS	L100-130/R100-130
14	09182331008	LPK 100MM D08	L100-130R100-130
14	09182331010	LPK 100MM D10	L100-130-R100-130
14	09182331012	LPK 100MM D12	L100-130-R100-130
14	09182331013	LPK 100MM D12.7	L100-130-R100-130
14	09182332008	LPK 200MM D08	L100-130-R100-130
14	09182332010	LPK 200MM D10	L100-130-R100-130
14	09182332012	LPK 200MM D12	L100-130-R100-130
14	09182332013	LPK 200MM D12.7	L100-130-R100-130
15	20002080160	8X16(5/16"X5/8") HH SCREW	
16	35022000025	FLEXIBLE PLASTIC STRIPS	L60-130/R70-130
17	09183110019	LINK PLATE 100MM D19	L60-130 R70-130
17	09183120019	LINK PLATE 200MM D19	L60-130 R70-130
18	09184331008	PIN LPK D08+BUSHINGS	L-R100/130
18	09184331010	PIN LPK D10+BUSHINGS	L-R100/130
18	09184331012	PIN LPK D12+BUSHINGS	L-R100/130
18	09184331013	PIN LPK D12.7+BUSHINGS	L-R100/130
19	14031552506	HALF PLATE L/R 100 DRUM	
20	09130131330	PAIR OF HALF PROTECT.	RINGS L/R100-130
21	09160133050	HALF GUDE+FIX+SCREWS/L-R100	
22	09130130000	COMPLETE PRE FEEDER KIT	
23	24106201300	06MMX20M FURLING LINE+1+LEADS*	WHITE/YELLOW ID
24	24106200000	06MMX20M STD FURLING LINE*	WHITE/YELLOW ID
26	24000102200	SINGLE FAIRLEAD+ PRODUCT CARD	REF SL25
27	24000102300	ARTICULATED STANCHION FAIRLEAD	REF ASL25/28
31	09276900030	SCREW+WASHER DRUM NOSE 60=>130	
38	09126100030	STD EXCH RX100+ DRUM	NO NOSE/ PLATE/GD-MACH
40	09151015040	COMPLETE ROTATING NOSE	R100-130 FOR R14 FOIL SEC
40b	09153015040	COMPL. ROT. NOSE R100-130+	INTERN. TURN. KIT
41	09160233050	4 SCREWS+WASHER+HALF PLATES	L100-130/R100-130
48	09163014000	SWIVEL INTERNAL BUSHING - R14	
49	09163125000	C14-25-30 SWIVEL S-S RING	

RX130 SPARE PART LIST
EXPLOD DRAWING# RX01/RX02/RX03

Rep	Reference	Description	
01	09113130040	COMPLETE RX 130 DRUM	
01b	09117130040	RX 130 DRUM + INTERNAL TURN.	OPTION
02	09170014040	NEW GENERATION C14 HAL. SWIVEL	
03	09171000205	RDD PM HAL. DEF. WHEEL	FORESTAY D4-5
03	09171000206	RDD PM HAL. DEF. WHEEL	FORESTAY D6-7
04	09130204140	R14 TOP CAP	
05	09130125312	9 R14 BUSHINGS/D4+5 FORESTAY	11M40 - BUSHING D6.5
05	09130125324	11 R14 BUSHINGS/D6+7 FORESTAY	15M50 - BUSHING D8
05	09196014040	OLD R14 BUSHING	D4+5 MM FORESTAY
05	09196014060	R14 BUSHING	FORESTAY DIAM. 6+7 MM
06	09190014040	COMPLETE 2M R14 STD SECTION	(FOR D4+5 MM FORESTAY)
06	09190014041	COMPLETE 2M R14 STD SECTION	(FOR D6+7 MM FORESTAY)
06	09190114040	COMPLETE 1M R14 STD SECTION	(FOR D4+5 MM FORESTAY)
06	09190114041	COMPLETE 1M R14 STD SECTION	(FOR D6+7 MM FORESTAY)
06b	26095014102	1M ANODISED R14 EXTERNAL FOIL	
06b	26095014202	2M ANODISED R14 EXTERNAL FOIL	
07	31001220600	LONG FORGED SHACKLE 6 MM	
08	31001250600	BOW SHACKLE D06MM	
09	26097014030	R14 CONNECTOR	
10	09130128140	COMPLETE R14 STD SAIL FEEDER	
11	09130124320	32x SX25/R14+24 SCREWS	
12	26136140166	R14 TELESCOPIC SECTION	
13	09195033100	D10MM STD PIN + BUSHINGS	L100-130/R100-130
13	09195033120	D12MM STD PIN + BUSHINGS	L100-130/R100-130
13	09195033130	D12.7MM STD PIN + BUSHINGS	L100-130/R100-130
14	09182331008	LPK 100MM D08	L100-130R100-130
14	09182331010	LPK 100MM D10	L100-130-R100-130
14	09182331012	LPK 100MM D12	L100-130-R100-130
14	09182331013	LPK 100MM D12.7	L100-130-R100-130
14	09182332008	LPK 200MM D08	L100-130-R100-130
14	09182332010	LPK 200MM D10	L100-130-R100-130
14	09182332012	LPK 200MM D12	L100-130-R100-130
14	09182332013	LPK 200MM D12.7	L100-130-R100-130
15	20002080160	8X16(5/16"X5/8") HH SCREW	
16	35022000025	FLEXIBLE PLASTIC STRIPS	L60-130/R70-130
18	09184331008	PIN LPK D08+BUSHINGS	L-R100/130
18	09184331010	PIN LPK D10+BUSHINGS	L-R100/130
18	09184331012	PIN LPK D12+BUSHINGS	L-R100/130
18	09184331013	PIN LPK D12.7+BUSHINGS	L-R100/130
19	14031752506	HALF PLATE L/R130 DRUM	.
20	09130131330	PAIR OF HALF PROTECT.	RINGS L/R100-130

RX130 SPARE PART LIST
EXPLOD DRAWING# RX01/RX02/RX03

Rep	Reference	Description	
21	09160133055	HALF GUDE+FIX+SCREWS/L-R130	
22	09130130000	COMPLETE PRE FEEDER KIT	
23	24108241300	08MMX20M FURLING LINE+1+3LEADS	GREY/BBLUE ID
24	24108240000	08MMX24M STD FURLING LINE*	GREY/BBLUE ID
26	24000102200	SINGLE FAIRLEAD+ PRODUCT CARD	REF SL25
27	24000102300	ARTICULATED STANCHION FAIRLEAD	REF ASL25/28
31	09276900030	SCREW+WASHER DRUM NOSE 60=>130	
38	09126130030	STD EXCH RX130+ DRUM	NO NOSE/ PLATE/GD-MACH !
40	09151015040	COMPLETE ROTATING NOSE	R100-130 FOR R14 FOIL SEC`
40b	09153015040	COMPL. ROT. NOSE R100-130+	INTERN. TURN. KIT
41	09160233050	4 SCREWS+WASHER+HALF PLATES	L100-130/R100-130
48	09163014005	SWIVEL INTERNAL BUSHING - R14	
49	09163125000	C14-25-30 SWIVEL S-S RING	

RX165 SPARE PART LIST
EXPLOD DRAWING# RX01/RX02/RX03

Rep	Reference	Description	
01	09113165040	COMPLETE RX 165 DRUM	
01b	09117165040	RX 165 DRUM + INTERNAL TURN.	OPTION
02	09170024040	COMPLETE RA C24 SWIVEL	
03	09171000306	RDD MM HAL. DEF. WHEEL	FORESTAY D6-7-8
03	09171000310	RDD MM HAL. DEF. WHEEL	FORESTAY D10
04	09130204240	R24 TOP CAP	
05	09130125342	12 R24 BUSHINGS/D6+7+8FORESTAY	17M50 - BUSHING D9.5
05	09196024060	R24 BUSHING D6+7+8MM FORESTAY	
06	09190024040	COMPLETE 2M R24 STD SECTION	(FOR D6+7+8 MM FORESTAY
06	09190124040	COMPLETE 1M R24 STD SECTION	(FOR D6+7+8 MM FORESTAY
06b	26095024102	1M ANODISED R24 EXTERNAL FOIL	
06b	26095024202	2M ANODISED R24 EXTERNAL FOIL	
07	31001220600	LONG FORGED SHACKLE 6 MM	
08	31001250600	BOW SHACKLE D06MM	
09	26097024030	R24 CONNECTOR	
10	09130128240	COMPLETE R24 STD SAIL FEEDER	
11	09130124320	32x SX25/R14+24 SCREWS	
12	26136240166	R24 TELESCOPIC SECTION	
13	09195039100	D10MM STD PIN + BUSHINGS	L165-180/R165-200
13	09195039120	D12MM STD PIN + BUSHINGS	L165-180/R165-200
13	09195039130	D12.7MM STD PIN + BUSHINGS	L165-180/R165-200

RX165 SPARE PART LIST
EXPLOD DRAWING# RX01/RX02/RX03

Rep	Reference	Description	
13	09195039140	D14MM STD PIN + BUSHINGS	L165-180/R165-200
13	09195039160	D16MM STD PIN + BUSHINGS	L165-180/R165-200
14	09182391510	LPK 150MM D10	L165-180-R165-200
14	09182391512	LPK 150MM D12	L165-180-R165-200
14	09182391513	LPK 150MM D12.7	L165-180-R165-200
14	09182391514	LPK 150MM D14	L165-180-R165-200
14	09182391516	LPK 150MM D16	L165-180-R165-200
14	09182392510	LPK 250MM D10	L165-180-R165-200
14	09182392512	LPK 250MM D12	L165-180-R165-200
14	09182392513	LPK 250MM D12.7	L165-180-R165-200
14	09182392514	LPK 250MM D14	L165-180-R165-200
14	09182392516	LPK 250MM D16	L165-180-R165-200
15	20002080160	8X16(5/16"X5/8") HH SCREW	
16	35022000039	FLEXIBLE PLASTIC STRIPS	L165-180/R165-200
17	09183315019	LINK PLATE 150MM D20/165-180	
17	09183325019	LINK PLATE 250MM D20/165-180	
18	09184391510	PIN LPK D10+BUSHINGS	L165/180+R165.200
18	09184391512	PIN LPK D12+BUSHINGS	L165/180+R165/200
18	09184391513	PIN LPK D12.7+BUSHINGS	L165/80+R165/200
18	09184391514	PIN LPK D14+BUSHINGS	L165/180+R165/200
18	09184391516	PIN LPK D16+BUSHINGS	L165/180+R165/200
19	14031903006	HALF PLATE L/R165 DRUM	
20	09130131390	PAIR HALF PROTECT.	RINGS L165-180/R165-200
21	09160139050	HALF GUDE+FIX+SCREWS/L-R165	
22	09130130000	COMPLETE PRE FEEDER KIT	
23	24108241300	08MMX20M FURLING LINE+1+3LEADS	GREY/BLUE ID
24	24108240000	08MMX24M STD FURLING LINE*	GREY/BLUE ID
26	24000102200	SINGLE FAIRLEAD+ PRODUCT CARD	REF SL25
27	24000102300	ARTICULATED STANCHION FAIRLEAD	REF ASL25/28
31	09276900030	SCREW+WASHER DRUM NOSE 60=>130	
38	09126165030	STD EXCH RX165+ DRUM	NO NOSE/ PLATE/GD-MACH
40	09151024040	COMPLETE ROTZTING NOSE	R165-200
40b	09153024040	COMPL. ROT. NOSE R165-200+	INTERN. TURN. KIT
41	09160239050	4 SCREWS+WASHER+HALF PLATES	L165-180/R165-220
48	09163024000	SWIVEL INTERNAL BUSHING - R24	
49	09163133000	CHD24-33 SWIVEL S-S RING	

RX220 SPARE PART LIST
EXPLOD DRAWING# RX01/RX02/RX03

Rep	Reference	Description	
01	09113220040	COMPLETE RX220 DRUM CST GD	
01b	09117220040	RX220 DRUM + INTERNAL TURN.	OPTION
02	09170026040	COMPLETE RA C26 SWIVEL	
03	09171000306	RDD MM HAL. DEF. WHEEL	FORESTAY D6-7-8
03	09171000310	RDD MM HAL. DEF. WHEEL	FORESTAY D10
04	09130204260	R26 TOP CAP	
05	09130125364	13 R26 BUSHINGS/D8 FORESTAY	19M50 - BUSHING D10.5
05	09130125366	13 R26 BUSHNG/D10+11.1FORESTAY	19M50 - BUSHING D12.5
05	09196026080	R26 BUSHING D10.5	FORESTAY D8+9 MM
05	09196026100	R26 BUSHING D12.5	FORESTAY D10+11.1
06	09190026040	COMPLETE 2M R26 STD SECTION	(FOR D8 MM FORESTAY)
06	09190026041	COMPLETE 2M R26 STD SECTION	(FOR D10+11 MM FORESTAY)
06	09190126040	COMPLETE 1M R26 STD SECTION	(FOR D8 MM FORESTAY)
06	09190126041	COMPLETE 1M R26 STD SECTION	(FOR D10+11 MM FORESTAY)
06b	26132260106	1M ANODISED R26 EXTERNAL FOIL	
06b	26132260206	2M ANODISED R26 EXTERNAL FOIL	
07	31001220600	LONG FORGED SHACKLE 6 MM	
08	31001250600	BOW SHACKLE D06MM	
09	26134260036	R26 CONNECTOR	
10	09130128260	COMPLETE R26 STD SAIL FEEDER	
11	09130124320	32x SX25/R14+24 SCREWS	
12	26136260166	R26 TELESCOPIC SECTION	
13	09195047120	D12MM STD PIN + BUSHINGS	L200
13	09195047130	D12.7MM STD PIN + BUSHINGS	L200
13	09195047140	D14MM STD PIN + BUSHINGS	L200
13	09195047160	D16MM STD PIN + BUSHINGS	L200-330/R260-300
14	09182391512	LPK 150MM D12	L165-180-R165-200
14	09182391513	LPK 150MM D12.7	L165-180-R165-200
14	09182391514	LPK 150MM D14	L165-180-R165-200
14	09182391516	LPK 150MM D16	L165-180-R165-200
14	09182392512	LPK 250MM D12	L165-180-R165-200
14	09182392513	LPK 250MM D12.7	L165-180-R165-200
14	09182392514	LPK 250MM D14	L165-180-R165-200
14	09182392516	LPK 250MM D16	L165-180-R165-200
15	20002080160	8X16(5/16"X5/8") HH SCREW	
16	35022000047	FLEXIBLE PLASTIC STRIPS	L200-330-R260-300
17	09183515020	LINK PLATE 150MM D26/200-230	
17	09183525020	LINK PLATE 250MM D26/200-330	
17	09183535020	LINK PLATE 350MM D26/200-330	
18	09184471512	PIN LPK D12+BUSHINGS	L200/290+R260/300
18	09184471513	PIN LPK D12.7+BUSHINGS	L200/290+R260/300

RX220 SPARE PART LIST
EXPLOD DRAWING# RX01/RX02/RX03

Rep	Reference	Description	
18	09184471514	PIN LPK D14+BUSHINGS	L200/290-R260/300
18	09184471516	PIN LPK D16+BUSHINGS	L200/290+R260/300
19	14032204006	HALF PLATE L200/R260 DRUM	
20	09130131390	PAIR HALF PROTECT.	RINGS L165-180/R165-200
21	09160139055	HALF GUDE+FIX+SCREWS/L180-R220	
22	09130130000	COMPLETE PRE FEEDER KIT	
23	24110241400	10MMX24M FURLING LINE+1+4LEADS	GREY/BLUE ID
24	24110240000	10MMX24M STD FURLING LINE*	GREY/BLUE ID
26	24000102200	SINGLE FAIRLEAD+ PRODUCT CARD	REF SL25
27	24000102300	ARTICULATED STANCHION FAIRLEAD	REF ASL25/28
31	09276900035	SCREW+WASHER DRUM NOSE165=>260	
38	09126220030	STD EXCH RX200+/R220+ DRUM	NO NOSE/ PLATE/GD-MACH
40	09151026041	COMPLETE ROTATING NOSE R260	FOR R26 FOIL SECTION
40b	09153026041	COMPL. ROT. R260+INTERN	TURN. KIT
41	09160239050	4 SCREWS+WASHER+HALF PLATES	L165-180/R165-220
48	09163026000	SWIVEL INTERNAL BUSHING - R26	
49	09163139000	CHD26-39 SWIVEL S-S RING	

RX260 SPARE PART LIST
EXPLOD DRAWING# RX01/RX02/RX03

Rep	Reference	Description	
01	09113260040	COMPLETE RX 260 DRUM	
01b	09117260040	RX 260 DRUM+ INTERNAL TURN.	OPTION
02	09170026040	COMPLETE RA C26 SWIVEL	
03	09171000306	RDD MM HAL. DEF. WHEEL	FORESTAY D6-7-8
03	09171000310	RDD MM HAL. DEF. WHEEL	FORESTAY D10
04	09130204260	R26 TOP CAP	
05	09130125364	13 R26 BUSHINGS/D8 FORESTAY	19M50 - BUSHING D10.5
05	09130125366	13 R26 BUSHNG/D10+11.1FORESTAY	19M50 - BUSHING D12.5
05	09196026080	R26 BUSHING D10.5	FORESTAY D8+9 MM
05	09196026100	R26 BUSHING D12.5	FORESTAY D10+11.1
06	09190026040	COMPLETE 2M R26 STD SECTION	(FOR D8 MM FORESTAY)
06	09190026041	COMPLETE 2M R26 STD SECTION	(FOR D10+11 MM FORESTAY)
06	09190126040	COMPLETE 1M R26 STD SECTION	(FOR D8 MM FORESTAY)
06	09190126041	COMPLETE 1M R26 STD SECTION	(FOR D10+11 MM FORESTAY)
06b	26132260106	1M ANODISED R26 EXTERNAL FOIL	
06b	26132260206	2M ANODISED R26 EXTERNAL FOIL	
07	31001220600	LONG FORGED SHACKLE 6 MM	

RX260 SPARE PART LIST
EXPLOD DRAWING# RX01/RX02/RX03

Rep	Reference	Description	
08	31001250600	BOW SHACKLE D06MM	
09	26134260036	R26 CONNECTOR	
10	09130128260	COMPLETE R26 STD SAIL FEEDER	
11	09130124320	32x SX25/R14+24 SCREWS	
12	26136260166	R26 TELESCOPIC SECTION	
13	09195047120	D12MM STD PIN + BUSHINGS	L200
13	09195047130	D12.7MM STD PIN + BUSHINGS	L200
13	09195047140	D14MM STD PIN + BUSHINGS	L200
13	09195047160	D16MM STD PIN + BUSHINGS	L200-330/R260-300
13	09195047180	D18MM STD PIN + BUSHINGS	L200-330/R260-300
13	09195047190	D19MM STD PIN + BUSHINGS	L200-330/R260-300
14	09182471512	LPK 150MM D12	L200-290-R260-300
14	09182471513	LPK 150MM D12.7	L200-290-R260-300
14	09182471514	LPK 150MM D14	L200-290-R260-300
14	09182471516	LPK 150MM D16	L200-290-R260-300
14	09182471518	LPK 150MM D18	L200-290-R260-300
14	09182471519	LPK 150MM D19	L200-290-R260-300
14	09182472512	LPK 250MM D12	L200-290-R260-300
14	09182472513	LPK 250MM D12.7	L200-290-R260-300
14	09182472514	LPK 250MM D14	L200-290-R260-3000
14	09182472516	LPK 250MM D16	L200-290-R260-300
14	09182472518	LPK 250MM D18	L200-290-R260-300
14	09182472519	LPK 250MM D19	L200-290-R260-300
14	09182473512	LPK 350MM D12	L200-290-R260-300
14	09182473513	LPK 350MM D12.7	L200-290-R260-300
14	09182473514	LPK 350MM D14	L200-290-R260-300
14	09182473516	LPK 350MM D16	L200-290-R260-300
14	09182473518	LPK 350MM D18	L200-290-R260-300
14	09182473519	LPK 350MM D19	L200-290-R260-300
15	20002100180	10X18(13/32"X23/32")HH SCREW	
16	35022000047	FLEXIBLE PLASTIC STRIPS	L200-330-R260-300
17	09183515020	LINK PLATE 150MM D26/200-230	
17	09183525020	LINK PLATE 250MM D26/200-330	
17	09183535020	LINK PLATE 350MM D26/200-330	
18	09184471512	PIN LPK D12+BUSHINGS	L200/290+R260/300
18	09184471513	PIN LPK D12.7+BUSHINGS	L200/290+R260/300
18	09184471514	PIN LPK D14+BUSHINGS	L200/290-R260/300
18	09184471516	PIN LPK D16+BUSHINGS	L200/290+R260/300
18	09184471518	PIN LPK D18+BUSHINGS	L200/290-R260/300
18	09184471519	PIN LPK D19+BUSHINGS	L200/290-R260/300
19	14032204006	HALF PLATE L200/R260 DRUM	

RX260 SPARE PART LIST
EXPLOD DRAWING# RX01/RX02/RX03

Rep	Reference	Description	
20	09130131470	PAIR HALF PROTECT. RINGS	L200-290-330/R260-300
21	09160147050	HALF GUDE+FIX+SCREWS/L200-R260	
22	09130130000	COMPLETE PRE FEEDER KIT	
23	24110241400	10MMX24M FURLING LINE+1+4LEADS	GREY/BLUE ID
24	24110240000	10MMX24M STD FURLING LINE*	GREY/BLUE ID
26	24000102200	SINGLE FAIRLEAD+ PRODUCT CARD	REF SL25
27	24000102300	ARTICULATED STANCHION FAIRLEAD	REF ASL25/28
31	09276900035	SCREW+WASHER DRUM NOSE165=>260	
38	09126260030	RX 260 STD EXCHANGE DRUM	
40	09151026040	COMPLETE ROTATING NOSE	R260 FOR R26 FOIL SECTION
40b	09153026040	COMPL. ROT. R260+INTERN.	TURN. KIT
41	09160247050	4 SCREWS+WASHER+HALF PLATES	L200-290/R260-300
48	09163026000	SWIVEL INTERNAL BUSHING - R26	
49	09163139000	CHD26-39 SWIVEL S-S RING	

RX300 SPARE PART LIST
EXPLOD DRAWING# RX01/RX02/RX03

Rep	Reference	Description	
01	09113300040	COMPLETE RX 300 DRUM	
01b	09117300040	RX 300 DRUM + INTERNAL TURN.	OPTION
02	09170034040	COMPLETE RA C34 SWIVEL	
03	09171000508	RDD GM HAL. DEF. WHEEL	FORESTAY D8-10-11.1
03	09171000509	RDD GM HAL. DEF. WHEEL	FORESTAY D9.52
03	09171000512	RDD GM HAL. DEF. WHEEL	FORESTAY D12-12.7
04	09130204340	R34 TOP CAP	
05	09130125374	14 R34 BUSHNG/D10+11.1FORESTAY	21M50 - BUSHING D12
05	09130125378	14 R34 BUSHINGS/D12.7 FORESTAY	21M50 - BUSHING D13.5
05	09196034100	R34 BUSHING D100+11.1MM	FORESTAY
05	09196034120	R34 BUSHING D12.7MM FORESTAY	
06	09190034040	COMPLETE 2M R34 STD SECTION	(FOR D10+11 MM FORESTAY
06	09190034041	COMPLETE 2M R34 STD SECTION	(FOR D12.7 MM FORESTAY)
06	09190134040	COMPLETE 1M R34 STD SECTION	(FOR D10+11 MM FORESTAY
06	09190134041	COMPLETE 1M R34 STD SECTION	(FOR D12.7 MM FORESTAY)
06b	26095034102	1M ANODISED R34 EXTERNAL FOIL	
06b	26095034202	2M ANODISED R34 EXTERNAL FOIL	
07	31001220800	LONG FORGED SHACKLE 8 MM	
08	31001250800	BOW SHACKLE D08MM	
09	26097034030	R34 CONNECTOR	

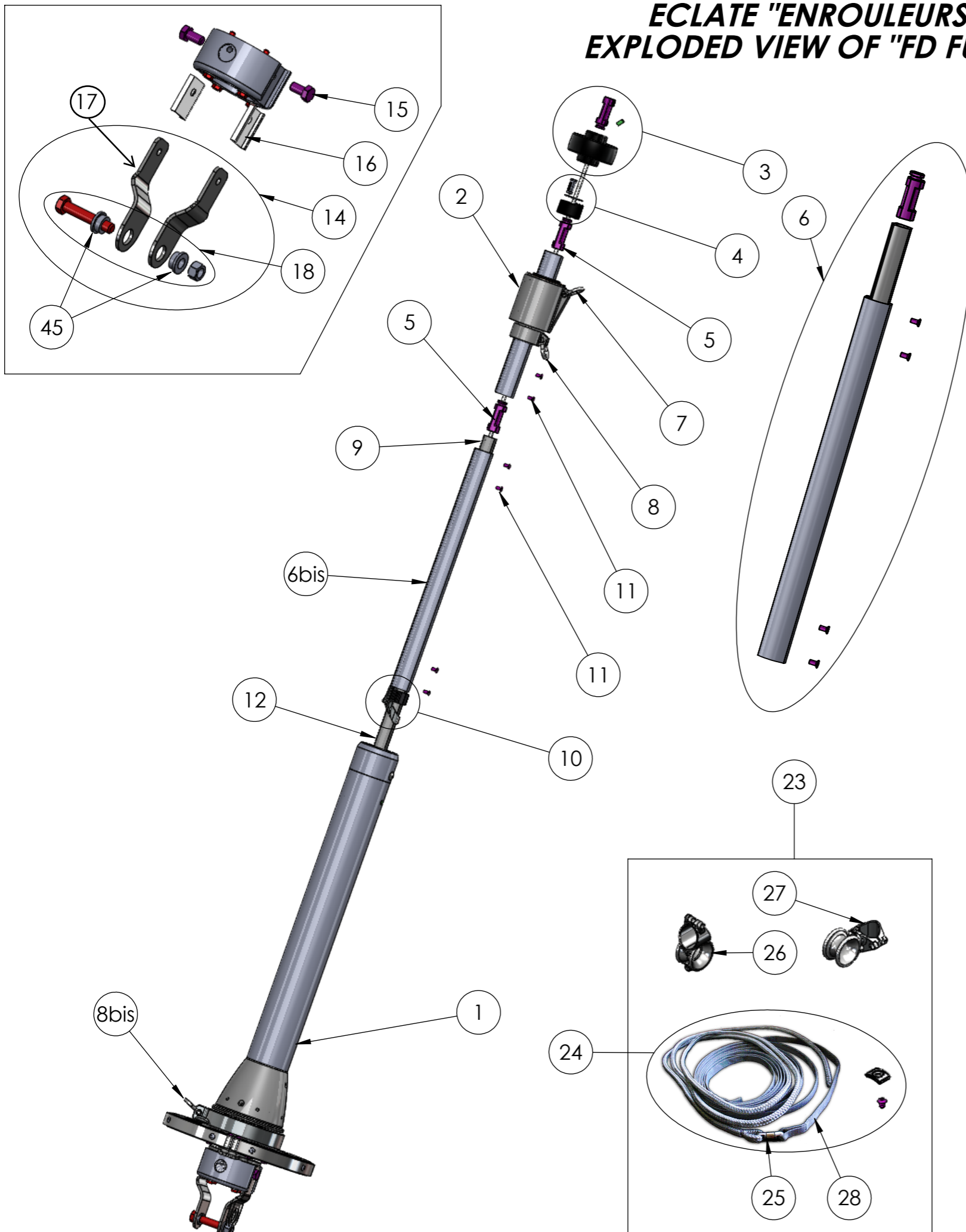
RX300 SPARE PART LIST
EXPLOD DRAWING# RX01/RX02/RX03

Rep	Reference	Description	
10	09130128340	COMPLETE R34 STD SAIL FEEDER	
11	09130124150	36x SX39+47/R34 SCREWS - 16M50	
12	26136340166	R34 TELESCOPIC SECTION	
13	09195047140	D14MM STD PIN + BUSHINGS	L200
13	09195047160	D16MM STD PIN + BUSHINGS	L200-330/R260-300
13	09195047180	D18MM STD PIN + BUSHINGS	L200-330/R260-300
13	09195047190	D19MM STD PIN + BUSHINGS	L200-330/R260-300
13	09195047200	D20MM STD PIN + BUSHINGS	L200-330/R260-300
13	09195047220	D22MM STD PIN + BUSHINGS	L200-330/R260-300
14	09182471514	LPK 150MM D14	I200-290-R260-300
14	09182471516	LPK 150MM D16	L200-290-R260-300
14	09182471518	LPK 150MM D18	L200-290-R260-300
14	09182471519	LPK 150MM D19	L200-290-R260-300
14	09182471520	LPK 150MM D20	L200-290-R260-300
14	09182471522	LPK 150MM D22	L200-290-R260-300
14	09182472514	LPK 250MM D14	L200-290-R260-3000
14	09182472516	LPK 250MM D16	L200-290-R260-300
14	09182472518	LPK 250MM D18	L200-290-R260-300
14	09182472519	LPK 250MM D19	L200-290R260-300
14	09182472520	LPK 250MM D20	L200-290-R260-300
14	09182472522	LPK 250MM D22	L200-290-R260-300
14	09182473514	LPK 350MM D14	L200-290-R260-300
14	09182473516	LPK 350MM D16	L200-290-R260-300
14	09182473518	LPK 350MM D18	L200-290-R260-300
14	09182473519	LPK 350MM D19	L200-290-R260-300
14	09182473520	LPK 350MM D20	L200-290-R260-300
14	09182473522	LPK 350MM D22	L200-290-R260-300
15	20002100180	10X18(13/32"X23/32")HH SCREW	
16	35022000047	FLEXIBLE PLASTIC STRIPS	L200-330-R260-300
17	09183515020	LINK PLATE 150MM D26/200-230	
17	09183525020	LINK PLATE 250MM D26/200-330	
17	09183535020	LINK PLATE 350MM D26/200-330	
18	09184471514	PIN LPK D14+BUSHINGS	L200/290-R260/300
18	09184471516	PIN LPK D16+BUSHINGS	L200/290+R260/300
18	09184471518	PIN LPK D18+BUSHINGS	L200/290-R260/300
18	09184471519	PIN LPK D19+BUSHINGS	L200/290-R260/300
18	09184471520	PIN LPK D20+BUSHINGS	L200/290-R260/300
18	09184471522	PIN LPK D22+BUSHINGS	L200/290-R260/300
19	14032504006	HALF PLATE L290/R300 DRUM	
20	09130131470	PAIR HALF PROTECT. RINGS	L200-290-330/R260-300
21	09160147055	HALF GUDE+FIX+SCREWS/L290-R300	

RX300 SPARE PART LIST
EXPLOD DRAWING# RX01/RX02/RX03

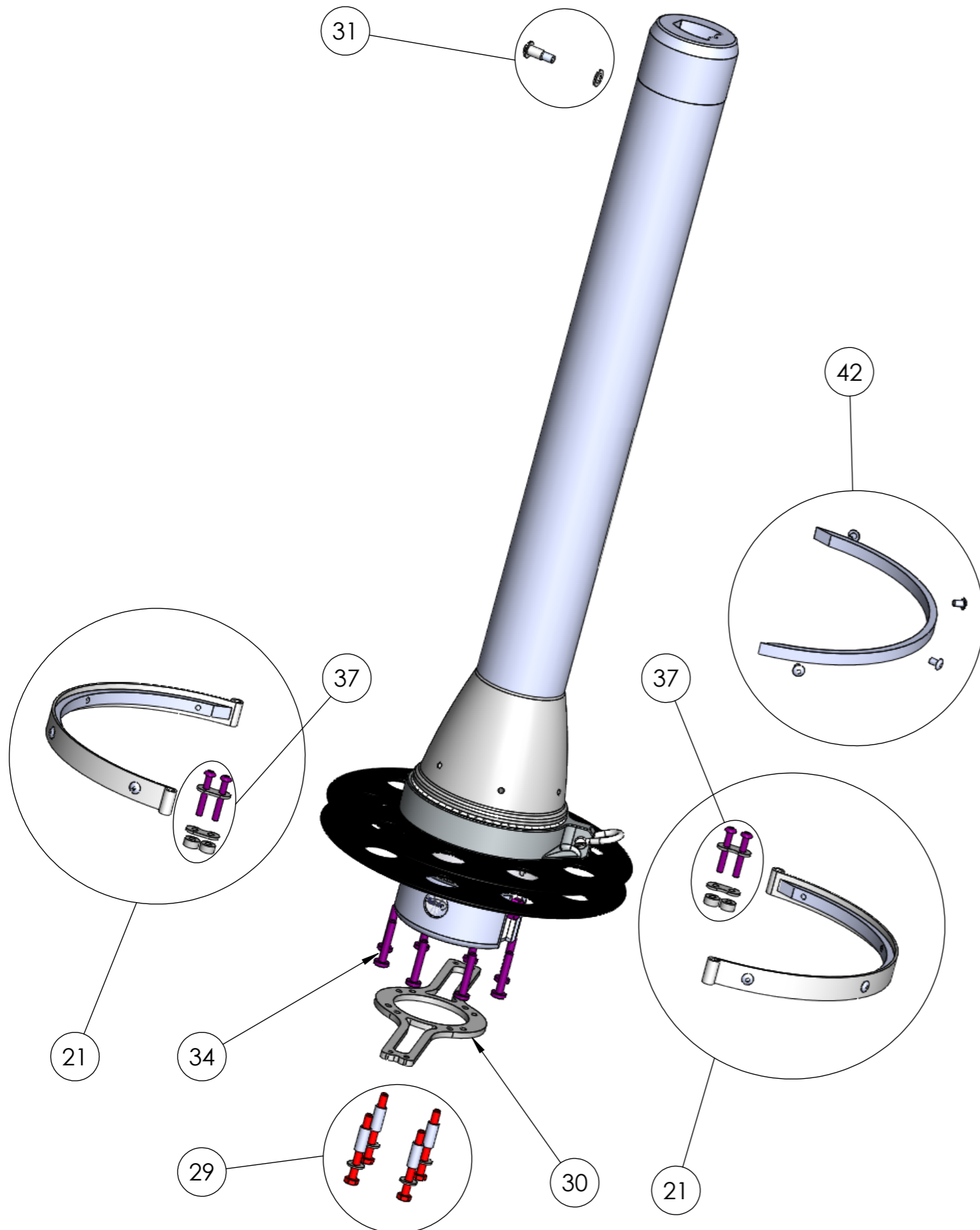
Rep	Reference	Description	
22	09130130000	COMPLETE PRE FEEDER KIT	
23	24110241400	10MMX24M FURLING LINE+1+4LEADS	GREY/BBLUE ID
24	24110240000	10MMX24M STD FURLING LINE*	GREY/BBLUE ID
26	24000102200	SINGLE FAIRLEAD+ PRODUCT CARD	REF SL25
27	24000102300	ARTICULATED STANCHION FAIRLEAD	REF ASL25/28
31	09276900037	SCREW+WASHER DRUM NOSE200=>300	SX47/R34
38	09126300030	STD EXCH RX300+ DRUM	NO NOSE/ PLATE/GD-MACH !
40	09151034040	COMPLETE ROTATING NOSE R300	FOR R34 FOIL SECTION
40b	09153034040	COMPL. ROT. NOSE R300+INTERN.	TURN. KIT
41	09160247050	4 SCREWS+WASHER+HALF PLATES	L200-290/R260-300
48	09163034000	SWIVEL INTERNAL BUSHING - R34	
49	09163147000	CHD34-47 SWIVEL S-S RING	

ECLATE "ENROULEURS FD" - PIECES DETACHEES / EXPLODED VIEW OF "FD FURLING SYSTEM" - SPARE PARTS



Rep.	Désignation	Description
1	Tambour complet avec sangle montée	Complete drum with webbing fitted
2	Emerillon	Swivel
3	Rondelle déflectrice	Halyard deflector wheel
4	Bouchon + plaque + pige	Top cap + plate + pin
5	Palier	Bushing
6	Kit profil externe double gorge	Twin groove foil sectionFoil section Kit
6bis	Profil externe seul	Twin groove foil section
7	Manille longue emerillon	Long shackle
8	Manille lyre curseur	Swivel bow shackle
8bis	Manille lyre tambour	Drum bow shackle
9	Manchon	Connector
10	Entrée de voile standard + vis	Standard sail feeder + screw
11	Vis TFHC (profil)	Screw (foil section)
12	Tube télescopique	Telescopic section
14	Kit lattes + axes	Link plates + pin kit
15	Vis H fixation latte (KR)	Screw upper (TK)
16	Cale plastique isolante latte (KR)	Plastic strip (TK)
17	Latte (KR)	Link plate (TK)
18	Axe + Ecrou + bague (KR)	Bottom fixing pin + bolt + bushing (TK)
23	Kit cordage complet	Complete Furling Line
24	Sangle et cordage assemblés sur emerillon	Webbing & furling line assembled on swivel
25	Emerillon sangle	Webbing swivel
26	Filoir	Fairlead
27	Filoir articulé	Articulated fairlead
28	Sangle percée + vis (+ plaque FD170 - FD310)	Drilled webbing + screw (+ plate FD170 - FD310)
43	Metre de sangle	Meter webbing
44	Kit tambour conversion LS/LX/RX (1+14+15+16+23)	Drum kit converting from LS/LX/RX (1+14+15+16+23)
45	Bague axe (KR)	Ring for pin (LPK)

**ECLATE "ENROULEURS FD" - PIECES DETACHEES /
EXPLODED VIEW OF "FD FURLING SYSTEM" - SPARE PARTS**

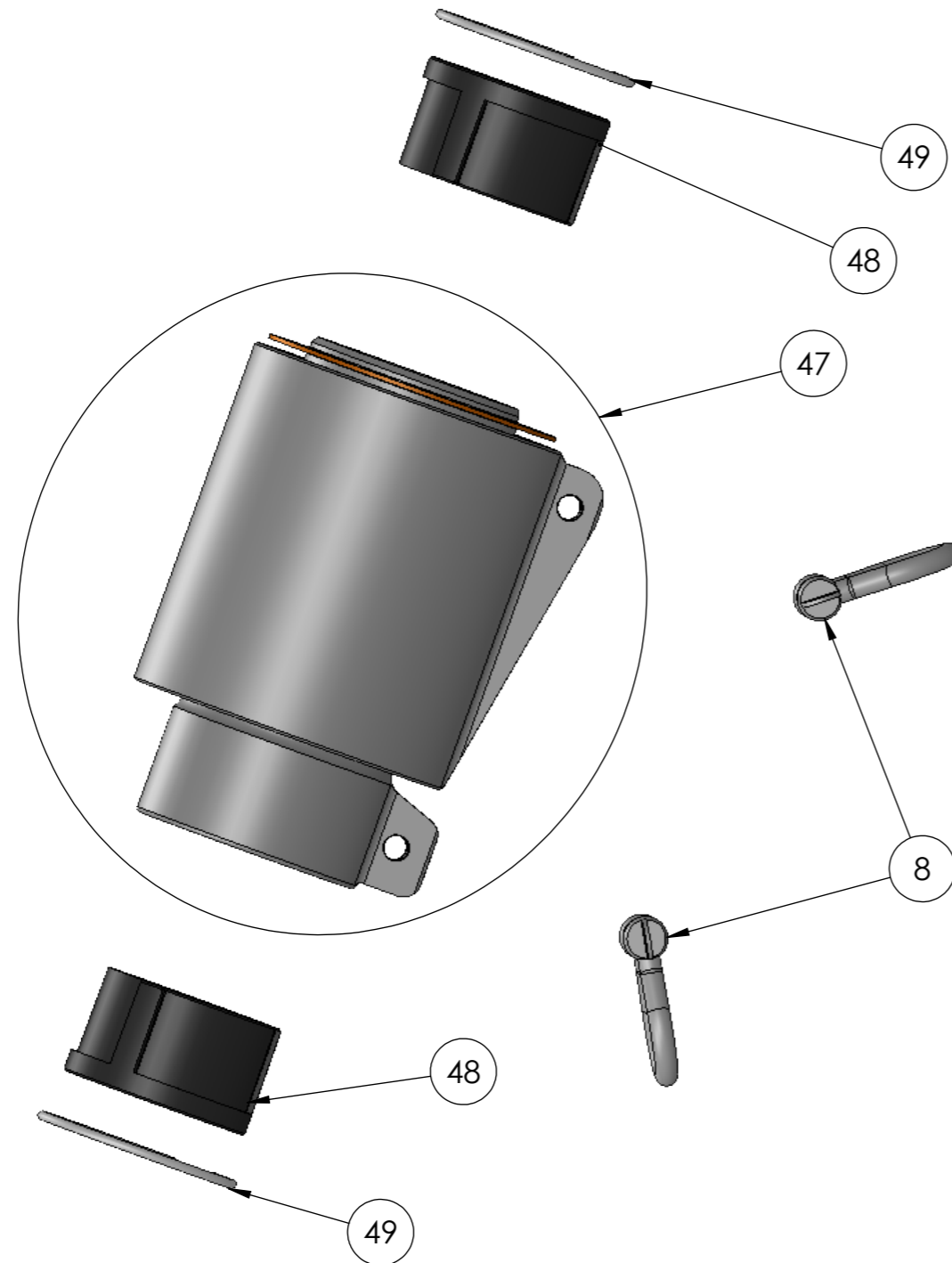


Rep.	Désignation	Description
21	Demi guide complet (ANCIEN modèle) + vis	Complete half guide (FORMER model) + screws
21bis*	Guide complet NOUVEAU modèle + vis	Complete Guide NEW model + screws
29	4 x Vis traversantes de fixation	4 x fixation crossing screws
30	Support guide	Guide fixation plate
31	Vis TTE avec rondelle	Screw with washer for telescopique section
34	4 x Vis flasque	Screw set for plate
37	Kit visserie demi guide	Screw set for half guide
42	Kit demi-cerceau nylon + 4 x Vis	Half nylon ring + 4 x screw

**! * Le guide rep.21bis ne peut remplacer l'ancien rep.21
The guide rep.21bis cannot replace the former model rep.21**



ECLATE CURSEUR EMERILLON ETANCHES RLTS ACIER
MODELES C14/24/33/39/47 (Profils SX/R) & C38/46 (ancien profil S)
EXPLODED DRAWING OF WATERPROOF HALYARD SWIVEL (STEEL BEARING)
C14/24/33/39/47 (SX/R section) & C38/46 (S former section)

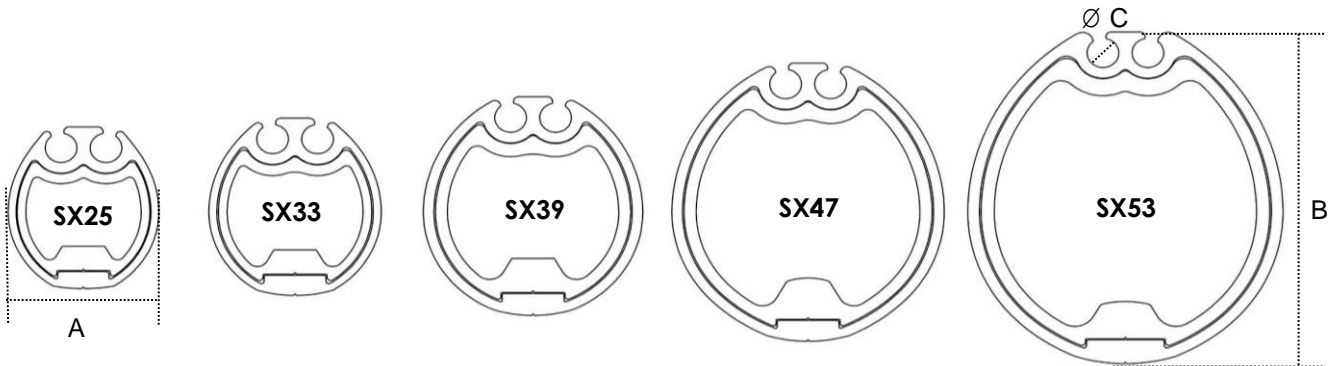


Rep.	Désignation	Description
8	Manille lyre	Bow shack
47	Mécanisme émerillon partiel	Partial swivel mechanism
48	Bague interne	Internal sleeve
49	Jonc	Clips

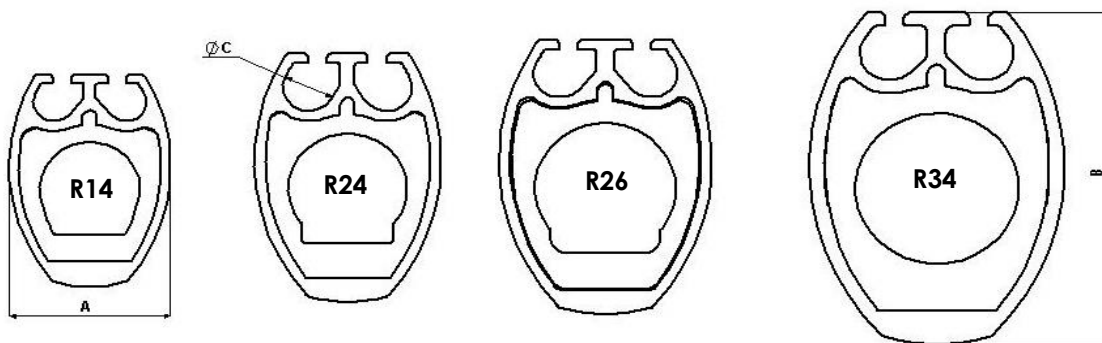
B.P 222, Parc d'Activités.
50550 ST VAAST LA HOUGUE

Tel : (33) 02 33 88 50 22 / Fax : (33) 02 33 23 14 27

Email : info@facnor.com

DIMENSIONS DES PROFILS - MEASUREMENTS OF THE SECTIONS


Reference - section	SX 25	SX33	SX 39	SX 47	SX 53
Ref. - enrouleur/furl.system LS-LX	60-70	100-130	165-180	200-260	330
Ref. - enrouleur/furl.system FD	090	170	210	280	
A	28	33	41	51	60
B	33	36	45	57	68
C	6	6	6	6	6



Reference - section	R14	R24	R26	R34
Ref. - enrouleur/furl.system RX	70-130	165-200	220-260	300
Ref. - enrouleur/furl.system RC	100	180	220	300
Ref. - enrouleur/furl.system FD	110	190	230	310
A	22	25	29	35
B	31	36	40	49
C	5	7	7	8

Les dimensions sont en mm. / Dimensions are in mm.

FD090 SPARE PART LIST
EXPLOD DRAWING# FD01/FD02/FD03

Rep	Reference	Description	
	24013161205	100 M WEBBING SPOOL 16MMX1.2	
01	09213110061	COMPLT NOSE+TBK DRUM FD090SX25	RA STD KIT
02	09170025040	COMPLETE RA C25RA SWIVEL	RA
02	09265025040	COMPLETE CT25 SWIVEL	TORLON® BALLS
03	09171000205	RDD PM HAL. DEF. WHEEL	FORESTAY D4-5
03	09171000206	RDD PM HAL. DEF. WHEEL	FORESTAY D6-7
04	09130204250	SX 25 TOP CAP	
05	09130125112	8 SX25 BUSHINGS/D4 FORESTAY	9M40 - BUSHING D5.5
05	09130125122	9 SX25 BUSHINGS/D5-6 FORESTAY	11M40 - BUSHING D7
05	09196025040	SX25 BUSHING/FORESTAY D4 MM	
05	09196025050	SX25 BUSHING D7	FORESTAY D5+6 MM
06	09190025040	COMPLETE 2M SX25 STD SECTION	D4MM FORESTAY
06	09190025041	COMPLETE 2M SX25 STD SECTION	D5+6MM FORESTAY
06	09190125040	COMPLETE 1M SX25 STD SECTION	(FOR D4 MM FORESTAY)
06	09190125041	COMPLETE 1M SX25 STD SECTION	(FOR D5+6 MM FORESTAY)
06b	26132250106	1M ANODISED SX25 EXTERNAL FOIL	
06b	26132250206	2M ANODISED SX25 EXTERNAL FOIL	
07	31001220500	LONG FORGED SHACKLE 5 MM	
08	31001250500	BOW SHACKLE D05MM	
08+7	09130202000	SHACKLE KIT L+R60-70/R100	&FD090 (=3xBOW S.D5)
08b	31001250600	BOW SHACKLE D06MM	
09	26134250036	SX25 CONNECTOR	
10	09130128250	COMPLETE SX25 STD SAIL FEEDER	
11	09130124320	32x SX25/R14+24 SCREWS	
12	26136250166	SX25 TELESCOPIC SECTION	
14	09282251006	LPK 100MM D06 FD110	
14	09282251008	LPK 100MM D08 FD110	
14	09282251010	LPK 100MM D10 FD110	
14	09282252006	LPK 200MM D06 FD110	
14	09282252008	LPK 200MM D08 FD110	
14	09282252010	LPK 200MM D10 FD110	
14	09295014080	D08MM FD LOWPIN+BSHG FD090-100	
14	09295014100	D10MM FD LOWPIN+BSHG FD090-100	
14	09295014120	D12MM FD LOWPIN+BSHG FD090-100	
14	09295014130	D12.7MM FD LWPIN+BSHG FD090-10	
15	20002080220	8X22(5/16"X7/8")HH SLUG SCREW	
16	35022000214	FLEXIBL PLSTC STRIPS FD110	
17	09183110019	LINK PLATE 100MM D19	L60-130 R70-130
17	09183120019	LINK PLATE 200MM D19	L60-130 R70-130
17	89015409019	FD090-100 48MM LINK PLATE	
18	09297014080	FD110-090 08MMPIN+BUSHNGS+BOLT	

FD090 SPARE PART LIST
EXPLOD DRAWING# FD01/FD02/FD03

Rep	Reference	Description	
18	09297014100	FD110-090 10MMPIN+BUSHNGS+BOLT	
21	28037114008	HALF GUIDE FD110	
21b	25200040056	CPT FD110 FURL GUIDE	WITH SCREWS & NUTS+NOT
23	09266110040	FRL LINE/WEB ASSEMBLD FD90-110	FL08X09M-WB10M+1A+3F CC
24	09266110041	FRL LINE/WEB ASSEMBLD FD90-110	KC08X09M-SG10M
25	09270000040	FD WEBBING SWIVEL	
26	24000102200	SINGLE FAIRLEAD+ PRODUCT CARD	REF SL25
27	24000102300	ARTICULATED STANCHION FAIRLEAD	REF ASL25/28
28	09266410040	10M+SCREW/FD90-110 WEB KIT	
29	09274714130	4 FIXATION CROSSING SCREWS	FD110-F090
30	89010000083	GUIDE FIXATION PLATE	FD110-FD090
31	09274814130	SCREW+WASHER F/TTE SECTION	FD190-FD170
34	09275014130	FD SCREW SET FOR PLATE	FD110-FD090
37	09274914130	SCREW SET FOR HALF FD GUIDE	
42	09274301403	HALF NYLON RING FD110+3 SCREWS	FD90
43	24013161201	METER OF FD WEBBING / GREY	16MMX1.2 WITH SCREW
44	09220110208	SX25FD090DRUMKIT+FL+LP05PIN08	REPLACEMT OF DRUM LS-LX
44	09220110210	SX25FD090DRUMKIT+FL+LP05PIN10	REPLACEMT OF DRUM LS-LX
45	28022423105	BUSHING D10MM PIN LPK L60-70	
45	28022425085	BUSHING D8MM PIN LPK L60-70	
48	09163025000	SWIVEL INTERNAL BUSHING - SX25	
49	09163125000	C14-25-30 SWIVEL S-S RING	
50	09275030000	STOPPING PLATE+SCREW	FD90 A FD230

FD110 SPARE PART LIST
EXPLOD DRAWING# FD01/FD02/FD03

Rep	Reference	Description	
	24013161205	100 M WEBBING SPOOL 16MMX1.2	
01	09213110060	COMPLT NOSE+TBK DRUM FD110R14	RA STD KIT
02	09170014040	NEW GENERATION C14 HAL. SWIVEL	
03	09171000205	RDD PM HAL. DEF. WHEEL	FORESTAY D4-5
03	09171000206	RDD PM HAL. DEF. WHEEL	FORESTAY D6-7
04	09130204140	R14 TOP CAP	
05	09130125312	9 R14 BUSHINGS/D4+5 FORESTAY	11M40 - BUSHING D6.5
05	09130125324	11 R14 BUSHINGS/D6+7 FORESTAY	15M50 - BUSHING D8
05	09196014040	OLD R14 BUSHING	D4+5 MM FORESTAY
05	09196014060	R14 BUSHING	FORESTAY DIAM. 6+7 MM
06	09190014040	COMPLETE 2M R14 STD SECTION	(FOR D4+5 MM FORESTAY)

FD110 SPARE PART LIST
EXPLOD DRAWING# FD01/FD02/FD03

Rep	Reference	Description	
06	09190014041	COMPLETE 2M R14 STD SECTION	(FOR D6+7 MM FORESTAY)
06	09190114040	COMPLETE 1M R14 STD SECTION	(FOR D4+5 MM FORESTAY)
06	09190114041	COMPLETE 1M R14 STD SECTION	(FOR D6+7 MM FORESTAY)
06b	26095014102	1M ANODISED R14 EXTERNAL FOIL	
06b	26095014202	2M ANODISED R14 EXTERNAL FOIL	
07	31001220500	LONG FORGED SHACKLE 5 MM	
08	31001250500	BOW SHACKLE D05MM	
08+7	09130202331	SHACKLE KIT L100-130/R100-200	
08b	31001250600	BOW SHACKLE D06MM	
09	26097014030	R14 CONNECTOR	
10	09130128140	COMPLETE R14 STD SAIL FEEDER	
11	09130124320	32x SX25/R14+24 SCREWS	
12	26136140166	R14 TELESCOPIC SECTION	
14	09282251008	LPK 100MM D08 FD110	
14	09282251010	LPK 100MM D10 FD110	
14	09282251012	LPK 100MM D12 FD90-FD110	
14	09282251013	LPK 100MM D13 FD90-FD110	
14	09282252008	LPK 200MM D08 FD110	
14	09282252010	LPK 200MM D10 FD110	
14	09282252012	LPK 200MM D12 FD110	
14	09295014080	D08MM FD LOWPIN+BSHG FD090-100	
14	09295014100	D10MM FD LOWPIN+BSHG FD090-100	
14	09295014120	D12MM FD LOWPIN+BSHG FD090-100	
14	09295014130	D12.7MM FD LWPIN+BSHG FD090-10	
15	20002080220	8X22(5/16"X7/8")HH SLUG SCREW	
16	35022000214	FLEXIBL PLSTC STRIPS FD110	
17	09183110019	LINK PLATE 100MM D19	L60-130 R70-130
17	09183120019	LINK PLATE 200MM D19	L60-130 R70-130
17	89015409019	FD090-100 48MM LINK PLATE	
18	09297014080	FD110-090 08MMPIN+BUSHNGS+BOLT	
18	09297014100	FD110-090 10MMPIN+BUSHNGS+BOLT	
18	09297014120	FD110-090 12MMPIN+BUSHNGS+BOLT	
18	09297014130	FD110-090 12.7PIN+BUSHNGS+BOLT	
21	28037114008	HALF GUIDE FD110	
21b	25200040056	CPT FD110 FURL GUIDE	WITH SCREWS & NUTS+NOT
23	09266110040	FRL LINE/WEB ASSEMBLD FD90-110	FL08X09M-WB10M+1A+3F CC
24	09266110041	FRL LINE/WEB ASSEMBLD FD90-110	KC08X09M-SG10M
24	09266110042	FRL LINE/WEB ASSEMBLD FD110	FOR POGO30
25	09270000040	FD WEBBING SWIVEL	
26	24000102200	SINGLE FAIRLEAD+ PRODUCT CARD	REF SL25
27	24000102300	ARTICULATED STANCHION FAIRLEAD	REF ASL25/28

FD110 SPARE PART LIST
EXPLOD DRAWING# FD01/FD02/FD03

Rep	Reference	Description	
28	09266410035	10M+SCREW/FD90-110 WEB KIT	BLACK DYNEMA
28	09266410040	10M+SCREW/FD90-110 WEB KIT	
29	09274714130	4 FIXATION CROSSING SCREWS	FD110-F090
30	89010000083	GUIDE FIXATION PLATE	FD110-FD090
31	09274814130	SCREW+WASHER F/TTE SECTION	FD190-FD170
34	09275014130	FD SCREW SET FOR PLATE	FD110-FD090
37	09274914130	SCREW SET FOR HALF FD GUIDE	
42	09274301403	HALF NYLON RING FD110+3 SCREWS	FD90
43	24013161201	METER OF FD WEBBING / GREY	16MMX1.2 WITH SCREW
44	09220110110	R14FD110DRUMKIT+FL+LP05PIN10	REPLACENT OF DRUM RX70
44	09220110112	R14FD110DRUMKIT+FL+LP05PIN12	REPLACENT OF DRUM RX70
44	09220110113	R14FD110DRUMKIT+FL+LP05PIN12.7	REPLACENT OF DRUM RX70
45	28022423105	BUSHING D10MM PIN LPK L60-70	
45	28022423125	BUSHING D12.5MM PIN LPK L60-70	
45	28022425085	BUSHING D8MM PIN LPK L60-70	
45	28022433130	BUSHING D12.7MM PIN LPK	L100-130
48	09163014005	SWIVEL INTERNAL BUSHING - R14	
49	09163125000	C14-25-30 SWIVEL S-S RING	
50	09275030000	STOPPING PLATE+SCREW	FD90 A FD230

FD170 SPARE PART LIST
EXPLOD DRAWING# FD01/FD02/FD03

Rep	Reference	Description	
	24013161205	100 M WEBBING SPOOL 16MMX1.2	
01	09213190061	COMPLT NOSE+TBK DRUM FD170SX33	RA STK KIT
02	09170033040	COMPLETE RA C33 SWIVEL	
03	09171000205	RDD PM HAL. DEF. WHEEL	FORESTAY D4-5
03	09171000206	RDD PM HAL. DEF. WHEEL	FORESTAY D6-7
04	09130204330	SX33 TOP CAP	
05	09130125132	10 SX33 BUSHINGSS/D5 FORESTAY	13M40 - BUSHING D6.5
05	09130125144	11 SX33 BUSHINGS/D6+7 FORESTAY	15M50 - BUSHING D8
05	09196033050	SX33 D6.5 BUSHING/FORESTAY D5	
05	09196033070	SX33 BUSHING D8/FORESTAY D6+7	
06	09190033040	COMPLETE 2M SX33 STD SECTION	(FOR D5 MM FORESTAY)
06	09190033041	COMPLETE 2M SX33 STD SECTION	(FOR D6+7 MM FORESTAY)
06	09190133040	COMPLETE 1M SX33 STD SECTION	(FOR D5 MM FORESTAY)
06	09190133041	COMPLETE 1M SX33 STD SECTION	(FOR D6+7 MM FORESTAY)
06b	26132330106	1M ANODISED SX33 EXTERNAL FOIL	

FD170 SPARE PART LIST
EXPLOD DRAWING# FD01/FD02/FD03

Rep	Reference	Description	
06b	26132330206	2M ANODISED SX33 EXTERNAL FOIL	
07	31001220600	LONG FORGED SHACKLE 6 MM	
08	31001250600	BOW SHACKLE D06MM	
08+7	09130202331	SHACKLE KIT L100-130/R100-200	
08b	31001250600	BOW SHACKLE D06MM	
09	26134330036	SX33 CONNECTOR	
10	09130128330	COMPLETE SX33 STD SAIL FEEDER	
11	09130124140	28x SX33/R26 SREWS	
12	26136330166	SX33 TELESCOPIC SECTION	
14	09282391510	LPK 150MM D10 FD190-230-310	
14	09282391512	LPK 150MM D12 FD190-230-310	
14	09282391513	LPK 150MM D12.7 FD190-230-310	
14	09282392510	LPK 250MM D10 FD190-230-310	
14	09282392512	LPK 250MM D12 FD190-230-310	
14	09282392513	LPK 250MM D12.7 FD190-230-310	
14	09295024100	D10MM FD LOWPIN+BSHG FD170-190	
14	09295024120	D12MM FD LOWPIN+BSHG FD170-190	
14	09295024130	D12.7MM FD LWPIN+BSHG FD17-190	
14	09295024140	D14MM FD LWPIN+BSHG FD170-190	
14	09295024160	D16MM FD LOWPIN+BSHG FD170-190	
15	20002080220	8X22(5/16"X7/8")HH SLUG SCREW	
16	35022000224	FLEXIBL PLSTC STRIPS FD170A310	
17	09183315019	LINK PLATE 150MM D20/165-180	
17	09183320019	LINK PLATE 200MM D20/165-180	
17	09183325019	LINK PLATE 250MM D20/165-180	
17	89015411120	FD170-230 65MM LINK PLATE	
18	09297024100	FD190-170 10MMPIN+BUSHNGS+BOLT	
18	09297024120	FD190-170 12MMPIN+BUSHNGS+BOLT	
18	09297024130	FD190-170 12.7PIN+BUSHNGS+BOLT	
21	28037124008	HALF GUIDE FD190-230	
21b	25200040061	CPT FD170TO230 FURL GUIDE	WITH SCREWS & NUTS+NOT
23	09266190042	FRL LINE/WEB SWIVLFD170+230	FL10X15M-WB18MFRL LINE/V
24	09266190041	FRL LINE/WEB ASSEMBLD FD17-190	ROPE10X15M-WEB18M
24	09266230141	FRL LINE/WEB ASSEMBLD FD21-230	ROPE10X15M-WEB20M
25	09270000040	FD WEBBING SWIVEL	
26	24000102200	SINGLE FAIRLEAD+ PRODUCT CARD	REF SL25
27	24000102300	ARTICULATED STANCHION FAIRLEAD	REF ASL25/28
28	09266410041	20M+SCREW/FD170-190 WEB KIT	
28	09266410043	20M+SCREW/FD210-230 WEB KIT	
29	09274724130	4 FIXATION CROSSING SCREWS	FD230/170/210
30	89010000093	GUIDE FIXATION PLATE	FD190-230/170/210

FD170 SPARE PART LIST
EXPLOD DRAWING# FD01/FD02/FD03

Rep	Reference	Description	
31	09274814130	SCREW+WASHER F/TTE SECTION	FD190-FD170
34	09275024130	FD SCREW SET FOR PLATE	FD190-FD170
37	09274914130	SCREW SET FOR HALF FD GUIDE	
42	09274302403	HALF NYLON RING FD190+3 SCREWS	FD230-FD170-FD210
43	24013161201	METER OF FD WEBBING / GREY	16MMX1.2 WITH SCREW
43	24013161218	METER OF FD WEBBING / BLACK	16MMX1.2 FD190x20M-310x20M
44	09220190210	SX33FD170DRUMKIT+FL+LP06PIN10	REPLACEMT OF DRUM LS-LX
44	09220190212	SX33FD170DRUMKIT+FL+LP06PIN12	REPLACEMT OF DRUM LS-LX
44	09220190213	SX33FD170DRUMKIT+FL+LP06PIN13	REPLACEMT OF DRUM LS-LX
45	28022439105	BUSHING D10MM PIN LPK L165-180	
45	28022439130	BUSHING D12.7MM PIN LPK	L165-180
48	09163033000	SWIVEL INTERNAL BUSHING - SX33	
49	09163133000	CHD24-33 SWIVEL S-S RING	
50	09275030000	STOPPING PLATE+SCREW	FD90 A FD230

FD190 SPARE PART LIST
EXPLOD DRAWING# FD01/FD02/FD03

Rep	Reference	Description	
	24013161205	100 M WEBBING SPOOL 16MMX1.2	
01	09213190060	COMPLT NOSE+TBK DRUM FD190R24	RA STD KIT
02	09170024040	COMPLETE RA C24 SWIVEL	
03	09171000306	RDD MM HAL. DEF. WHEEL	FORESTAY D6-7-8
04	09130204240	R24 TOP CAP	
05	09130125342	12 R24 BUSHINGS/D6+7+8FORESTAY	17M50 - BUSHING D9.5
05	09196024060	R24 BUSHING D6+7+8MM FORESTAY	
06	09190024040	COMPLETE 2M R24 STD SECTION	(FOR D6+7+8 MM FORESTAY
06	09190124040	COMPLETE 1M R24 STD SECTION	(FOR D6+7+8 MM FORESTAY
06b	26095024102	1M ANODISED R24 EXTERNAL FOIL	
06b	26095024202	2M ANODISED R24 EXTERNAL FOIL	
07	31001220600	LONG FORGED SHACKLE 6 MM	
08	31001250600	BOW SHACKLE D06MM	
08+7	09130202331	SHACKLE KIT L100-130/R100-200	
08b	31001250600	BOW SHACKLE D06MM	
09	26097024030	R24 CONNECTOR	
10	09130128240	COMPLETE R24 STD SAIL FEEDER	
11	09130124320	32x SX25/R14+24 SCREWS	
12	26136240166	R24 TELESCOPIC SECTION	
14	09282391510	LPK 150MM D10 FD190-230-310	

FD190 SPARE PART LIST
EXPLOD DRAWING# FD01/FD02/FD03

Rep	Reference	Description	
14	09282391512	LPK 150MM D12 FD190-230-310	
14	09282391513	LPK 150MM D12.7 FD190-230-310	
14	09282391514	LPK 150MM D14 FD190-230-310	
14	09282391516	LPK 150MM D16 FD190-230-310	
14	09282392510	LPK 250MM D10 FD190-230-310	
14	09282392512	LPK 250MM D12 FD190-230-310	
14	09282392513	LPK 250MM D12.7 FD190-230-310	
14	09282392514	LPK 250MM D12 FD190-230-310	
14	09282392516	LPK 250MM D16 FD190-230-310	
14	09295024100	D10MM FD LOWPIN+BSHG FD170-190	
14	09295024120	D12MM FD LOWPIN+BSHG FD170-190	
14	09295024130	D12.7MM FD LWPIN+BSHG FD17-190	
14	09295024140	D14MM FD LWPIN+BSHG FD170-190	
14	09295024160	D16MM FD LOWPIN+BSHG FD170-190	
15	20002080220	8X22(5/16"X7/8")HH SLUG SCREW	
16	35022000224	FLEXIBL PLSTC STRIPS FD170A310	
17	09183110019	LINK PLATE 100MM D19	L60-130 R70-130
17	09183120019	LINK PLATE 200MM D19	L60-130 R70-130
17	09183325019	LINK PLATE 250MM D20/165-180	
18	09297024100	FD190-170 10MMPIN+BUSHNGS+BOLT	
18	09297024120	FD190-170 12MMPIN+BUSHNGS+BOLT	
18	09297024130	FD190-170 12.7PIN+BUSHNGS+BOLT	
18	09297024140	FD190-170 14MMPIN+BUSHNGS+BOLT	
18	09297024160	FD190-170 16MMPIN+BUSHNGS+BOLT	
21	28037124008	HALF GUIDE FD190-230	
21b	25200040061	CPT FD170TO230 FURL GUIDE	WITH SCREWS & NUTS+NOT
23	09266190042	FRL LINE/WEB SWIVLFD170+230	FL10X15M-WB18MFRL LINE/V
24	09266190041	FRL LINE/WEB ASSEMBLD FD17-190	ROPE10X15M-WEB18M
24	09266230141	FRL LINE/WEB ASSEMBLD FD21-230	ROPE10X15M-WEB20M
25	09270000040	FD WEBBING SWIVEL	
26	24000102200	SINGLE FAIRLEAD+ PRODUCT CARD	REF SL25
27	24000102300	ARTICULATED STANCHION FAIRLEAD	REF ASL25/28
28	09266410041	20M+SCREW/FD170-190 WEB KIT	
28	09266410043	20M+SCREW/FD210-230 WEB KIT	
29	09274724130	4 FIXATION CROSSING SCREWS	FD230/170/210
30	89010000093	GUIDE FIXATION PLATE	FD190-230/170/210
31	09274814130	SCREW+WASHER F/TTE SECTION	FD190-FD170
34	09275024130	FD SCREW SET FOR PLATE	FD190-FD170
37	09274914130	SCREW SET FOR HALF FD GUIDE	
42	09274302403	HALF NYLON RING FD190+3 SCREWS	FD230-FD170-FD210
43	24013161201	METER OF FD WEBBING / GREY	16MMX1.2 WITH SCREW

FD190 SPARE PART LIST
EXPLOD DRAWING# FD01/FD02/FD03

Rep	Reference	Description	
43	24013161218	METER OF FD WEBBING / BLACK	16MMX1.2 FD190x20M-310x2
44	09220190110	R24FD190DRUMKIT+FL+LP06PIN10	REPLACEMT OF DRUM RX16
44	09220190112	R24FD190DRUMKIT+FL+LP06PIN12	REPLACEMT OF DRUM RX16
44	09220190113	R24FD190DRUMKIT+FL+LP06PIN12.7	REPLACEMT OF DRUM RX16
44	09220190114	R24FD190DRUMKIT+FL+LP06PIN14	REPLACEMT OF DRUM RX16
44	09220190116	R24FD190DRUMKIT+FL+LP06PIN16	REPLACEMT OF DRUM RX16
45	28022439105	BUSHING D10MM PIN LPK L165-180	
45	28022439130	BUSHING D12.7MM PIN LPK	L165-180
45	28022439145	BUSHING D14MM PIN LPK L165-180	
45	28022439165	BUSHNG D16MM PIN LPK L165-180	
48	09163024000	SWIVEL INTERNAL BUSHING - R24	
49	09163133000	CHD24-33 SWIVEL S-S RING	
50	09275030000	STOPPING PLATE+SCREW	FD90 A FD230

FD210 SPARE PART LIST
EXPLOD DRAWING# FD01/FD02/FD03

Rep	Reference	Description	
	24013161220	100M DYNEEMA WEBBING 16x1.2MM	DELIVERED ON ROLL
01	09213230061	COMPLT NOSE+TBK DRUM FD210SX39	RA STD KIT
02	09170039040	COMPLETE RA C39 SWIVEL	D8 SHACKLE
03	09171000306	RDD MM HAL. DEF. WHEEL	FORESTAY D6-7-8
03	09171000310	RDD MM HAL. DEF. WHEEL	FORESTAY D10
04	09130204390	SX39 TOP CAP	
05	09130125152	12 SX39 BUSHING/D6-7-8FORESTAY	17M50 - BUSHING D9.5
05	09130125158	12 SX39 BUSHINGS/D10 FORESTAY	17M50 - BUSHING D11
05	09196039080	SX39 BEARING/FORESTAY D6+7+8MM	D9.5 BEARING
05	09196039100	SX39 BEARING/FORESTAY D10 MM	D11 BEARING
05	09196039120	SX39 BUSHING/FORESTAY D12 MM	
06	09190039040	COMPLETE 2M SX39 STD SECTION	(FOR D6+7+8 MM FORESTAY
06	09190039041	COMPLETE 2M SX39 STD SECTION	(FOR D10 MM FORESTAY)
06	09190039042	COMPLETE 2M SX39 STD SECTION	(FOR D12 MM FORESTAY)
06	09190139040	COMPLETE 1M SX39 STD SECTION	(FOR D6+7+8 MM FORESTAY
06	09190139041	COMPLETE 1M SX39 STD SECTION	(FOR D10 MM FORESTAY)
06	09190139042	COMPLETE 1M SX39 STD SECTION	(FOR D12 MM FORESTAY)
06b	26132390106	1M ANODISED SX39 EXTERNAL FOIL	
06b	26132390206	2M ANODISED SX39 EXTERNAL FOIL	
07	31001220600	LONG FORGED SHACKLE 6 MM	
08	31001250600	BOW SHACKLE D06MM	

FD210 SPARE PART LIST
EXPLOD DRAWING# FD01/FD02/FD03

Rep	Reference	Description	
08+7	09130202391	SHACKLE KIT L165-180/R220-260	
08b	31001250600	BOW SHACKLE D06MM	
09	26134390036	SX39 CONNECTOR	
10	09130128390	COMPLETE SX39 STD SAIL FEEDER	
11	09130124150	36x SX39+47/R34 SCREWS - 16M50	
12	26136390166	SX39 TELESCOPIC SECTION	
14	09282391510	LPK 150MM D10 FD190-230-310	
14	09282391510	LPK 150MM D10 FD190-230-310	
14	09282391512	LPK 150MM D12 FD190-230-310	
14	09282391513	LPK 150MM D12.7 FD190-230-310	
14	09282391514	LPK 150MM D14 FD190-230-310	
14	09282391516	LPK 150MM D16 FD190-230-310	
14	09282392510	LPK 250MM D10 FD190-230-310	
14	09282392512	LPK 250MM D12 FD190-230-310	
14	09282392513	LPK 250MM D12.7 FD190-230-310	
14	09282392514	LPK 250MM D12 FD190-230-310	
14	09282392516	LPK 250MM D16 FD190-230-310	
14	09295026120	D12MM FD LOWPIN+BSHG FD210-230	
14	09295026130	D13MM FD LOWPIN+BSHG FD210-230	
14	09295026140	D14MM FD LOWPIN+BSHG FD210-230	
14	09295026160	D16MM FD LOWPIN+BSHG FD210-230	
15	20002080220	8X22(5/16"X7/8")HH SLUG SCREW	
16	35022000224	FLEXIBL PLSTC STRIPS FD170A310	
17	09183315019	LINK PLATE 150MM D20/165-180	
17	09183320019	LINK PLATE 200MM D20/165-180	
17	09183325019	LINK PLATE 250MM D20/165-180	
17	89015411120	FD170-230 65MM LINK PLATE	
18	09297026120	FD230-210 12MMPIN+BUSHNGS+BOLT	
18	09297026130	FD230-210 12.7PIN+BUSHNGS+BOLT	
18	09297026140	FD230-210 14MMPIN+BUSHNGS+BOLT	
18	09297026160	FD230-210 16MMPIN+BUSHNGS+BOLT	
21	28037124008	HALF GUIDE FD190-230	
21b	25200040061	CPT FD170TO230 FURL GUIDE	WITH SCREWS & NUTS+NOT
23	09266230042	FRL LINE/WEB ASSEMBLD FD21-230	FL10X15M-WB18M+1A+3F CC
24	09266230141	FRL LINE/WEB ASSEMBLD FD21-230	ROPE10X15M-WEB20M
25	09270000040	FD WEBBING SWIVEL	
26	24000102200	SINGLE FAIRLEAD+ PRODUCT CARD	REF SL25
27	24000102300	ARTICULATED STANCHION FAIRLEAD	REF ASL25/28
28	09266410043	20M+SCREW/FD210-230 WEB KIT	
29	09274724130	4 FIXATION CROSSING SCREWS	FD230/170/210
30	89010000093	GUIDE FIXATION PLATE	FD190-230/170/210

FD210 SPARE PART LIST
EXPLOD DRAWING# FD01/FD02/FD03

Rep	Reference	Description	
31	09274826130	SCREW+WASHER F/TTE SECTION	FD230-FD210
34	09275024130	FD SCREW SET FOR PLATE	FD190-FD170
37	09274914130	SCREW SET FOR HALF FD GUIDE	
42	09274302403	HALF NYLON RING FD190+3 SCREWS	FD230-FD170-FD210
43	24013161218	METER OF FD WEBBING / BLACK	16MMX1.2 FD190x20M-310x2.
44	09220230212	SX39FD210DRUMKIT+FL+LP06PIN12	REPLACEMT OF DRUM LS-LX
44	09220230213	SX39FD210DRUMKIT+FL+LP06PIN13	REPLACEMT OF DRUM LS-LX
44	09220230214	SX39FD210DRUMKIT+FL+LP06PIN14	REPLACEMT OF DRUM RX1€
44	09220230216	SX39FD210DRUMKIT+FL+LP06PIN16	REPLACEMT OF DRUM LS-LX
45	28013913009	BUSHING D13MM PIN LPK L165-180	
45	28022439130	BUSHING D12.7MM PIN LPK	L165-180
45	28022439145	BUSHING D14MM PIN LPK L165-180	
45	28022439165	BUSHNG D16MM PIN LPK L165-180	
48	09163039000	SWIVEL INTERNAL BUSHING - SX39	
49	09163139000	CHD26-39 SWIVEL S-S RING	
50	09275030000	STOPPING PLATE+SCREW	FD90 A FD230

FD230 SPARE PART LIST
EXPLOD DRAWING# FD01/FD02/FD03

Rep	Reference	Description	
	24013161220	100M DYNEEMA WEBBING 16x1.2MM	DELIVERED ON ROLL
	24013161220	100M DYNEEMA WEBBING 16x1.2MM	DELIVERED ON ROLL
01	09213230060	COMPLT NOSE+TBK DRUM FD230R26	RA STD KIT
02	09170026040	COMPLETE RA C26 SWIVEL	
03	09171000306	RDD MM HAL. DEF. WHEEL	FORESTAY D6-7-8
03	09171000310	RDD MM HAL. DEF. WHEEL	FORESTAY D10
04	09130204260	R26 TOP CAP	
05	09130125364	13 R26 BUSHINGS/D8 FORESTAY	19M50 - BUSHING D10.5
05	09130125366	13 R26 BUSHNG/D10+11.1FORESTAY	19M50 - BUSHING D12.5
05	09196026080	R26 BUSHING D10.5	FORESTAY D8+9 MM
05	09196026100	R26 BUSHING D12.5	FORESTAY D10+11.1
06	09190026040	COMPLETE 2M R26 STD SECTION	(FOR D8 MM FORESTAY)
06	09190026041	COMPLETE 2M R26 STD SECTION	(FOR D10+11 MM FORESTAY)
06	09190126040	COMPLETE 1M R26 STD SECTION	(FOR D8 MM FORESTAY)
06	09190126041	COMPLETE 1M R26 STD SECTION	(FOR D10+11 MM FORESTAY)
06b	26132260106	1M ANODISED R26 EXTERNAL FOIL	
06b	26132260206	2M ANODISED R26 EXTERNAL FOIL	
07	31001220600	LONG FORGED SHACKLE 6 MM	

FD230 SPARE PART LIST
EXPLOD DRAWING# FD01/FD02/FD03

Rep	Reference	Description	
08	31001250600	BOW SHACKLE D06MM	
08+7	09130202391	SHACKLE KIT L165-180/R220-260	
08b	31001250600	BOW SHACKLE D06MM	
09	26134260036	R26 CONNECTOR	
10	09130128260	COMPLETE R26 STD SAIL FEEDER	
11	09130124320	32x SX25/R14+24 SCREWS	
12	26136260166	R26 TELESCOPIC SECTION	
14	09282391510	LPK 150MM D10 FD190-230-310	
14	09282391512	LPK 150MM D12 FD190-230-310	
14	09282391513	LPK 150MM D12.7 FD190-230-310	
14	09282391514	LPK 150MM D14 FD190-230-310	
14	09282391516	LPK 150MM D16 FD190-230-310	
14	09282391519	LPK 150MM D19 FD190-230-310	
14	09295026120	D12MM FD LOWPIN+BSHG FD210-230	
14	09295026130	D13MM FD LOWPIN+BSHG FD210-230	
14	09295026140	D14MM FD LOWPIN+BSHG FD210-230	
14	09295026160	D16MM FD LOWPIN+BSHG FD210-230	
15	20002080220	8X22(5/16"X7/8")HH SLUG SCREW	
16	35022000224	FLEXIBL PLSTC STRIPS FD170A310	
17	09183315019	LINK PLATE 150MM D20/165-180	
17	09183320019	LINK PLATE 200MM D20/165-180	
17	09183325019	LINK PLATE 250MM D20/165-180	
17	89015411120	FD170-230 65MM LINK PLATE	
18	09297026120	FD230-210 12MMPIN+BUSHNGS+BOLT	
18	09297026130	FD230-210 12.7PIN+BUSHNGS+BOLT	
18	09297026140	FD230-210 14MMPIN+BUSHNGS+BOLT	
18	09297034160	FD310-280 16MMPIN+BUSHNGS+BOLT	
18	09297034180	FD310-280 18MMPIN+BUSHNGS+BOLT	
18	09297034190	FD310-280 19MMPIN+BUSHNGS+BOLT	
21	28037124008	HALF GUIDE FD190-230	
21b	25200040061	CPT FD170TO230 FURL GUIDE	WITH SCREWS & NUTS+NOT
23	09266230042	FRL LINE/WEB ASSEMBLD FD21-230	FL10X15M-WB18M+1A+3F CC
24	09266230141	FRL LINE/WEB ASSEMBLD FD21-230	ROPE10X15M-WEB20M
25	09270000040	FD WEBBING SWIVEL	
26	24000102200	SINGLE FAIRLEAD+ PRODUCT CARD	REF SL25
27	24000102300	ARTICULATED STANCHION FAIRLEAD	REF ASL25/28
28	09266410043	20M+SCREW/FD210-230 WEB KIT	
29	09274724130	4 FIXATION CROSSING SCREWS	FD230/170/210
30	89010000093	GUIDE FIXATION PLATE	FD190-230/170/210
31	09274826130	SCREW+WASHER F/TTE SECTION	FD230-FD210
34	09275024130	FD SCREW SET FOR PLATE	FD190-FD170

FD230 SPARE PART LIST
EXPLOD DRAWING# FD01/FD02/FD03

Rep	Reference	Description	
37	09274914130	SCREW SET FOR HALF FD GUIDE	
42	09274302403	HALF NYLON RING FD190+3 SCREWS	FD230-FD170-FD210
43	24013161218	METER OF FD WEBBING / BLACK	16MMX1.2 FD190x20M-310x27
44	09220230112	R26FD230DRUMKIT+FL+LP06PIN12	REPLACEMT OF DRUM RX26
44	09220230113	R26FD230DRUMKIT+FL+LP06PIN13	REPLACEMT OF DRUM RX26
44	09220230114	R26FD230DRUMKIT+FL+LP06PIN14	REPLACEMT OF DRUM RX26
44	09220230116	R26FD230DRUMKIT+FL+LP06PIN16	REPLACEMT OF DRUM RX26
44	09220230119	R26FD230DRUMKIT+FL+LP06PIN19	REPLACEMT OF DRUM RX26
45	28013913009	BUSHING D13MM PIN LPK L165-180	
45	28022439130	BUSHING D12.7MM PIN LPK	L165-180
45	28022439145	BUSHING D14MM PIN LPK L165-180	
45	28022439165	BUSHNG D16MM PIN LPK L165-180	
48	09163026000	SWIVEL INTERNAL BUSHING - R26	
49	09163139000	CHD26-39 SWIVEL S-S RING	
50	09275030000	STOPPING PLATE+SCREW	FD90 A FD230

FD280 SPARE PART LIST
EXPLOD DRAWING# FD01/FD02/FD03

Rep	Reference	Description	
	24013161220	100M DYNEEMA WEBBING 16x1.2MM	DELIVERED ON ROLL
01	09213310061	COMPLT STD NOSE DRUM FD280SX47	
02	09170047040	COMPLETE RA C47 SWIVEL	
03	09171000508	RDD GM HAL. DEF. WHEEL	FORESTAY D8-10-11.1
03	09171000509	RDD GM HAL. DEF. WHEEL	FORESTAY D9.52
03	09171000512	RDD GM HAL. DEF. WHEEL	FORESTAY D12-12.7
03	09171000514	RDD GM HAL. DEF. WHEEL	FORESTAY D14
04	09130204470	SX47 TOP CAP	
05	09130125173	13 SX47 BUSHNG/D8-9.52FORESTAY	19M50 - BUSHING D10.5
05	09130125184	14 SX47 BUSHINGS/D10 FORESTAY	21M50 - BUSHING D12
05	09130125186	14 SX47 BUSHG/D12+12.7FORESTAY	21M50 - BUSHING D14.5
05	09130125188	14 SX47 BUSHINGS/D14 FORESTAY	21M50 - BUSHING D16
05	09196047080	SX47 BUSHING/FORESTAY D10 MM	
05	09196047090	SX47 BUSHING/FORESTAY D8+9.52	
05	09196047120	SX47 BUSHING/FORESTAY D12MM	
05	09196047140	SX47 BUSHING/FORESTAY D14MM	
06	09190047040	COMPLETE 2M SX47 STD SECTION	(FOR D10 MM FORESTAY)
06	09190047041	COMPLETE 2M SX47 STD SECTION	(FOR D12 MM FORESTAY)
06	09190047042	COMPLETE 2M SX47 STD SECTION	(FOR D14 MM FORESTAY)

FD280 SPARE PART LIST
EXPLOD DRAWING# FD01/FD02/FD03

Rep	Reference	Description	
06	09190147040	COMPLETE 1M SX47 STD SECTION	(FOR D10 MM FORESTAY)
06	09190147041	COMPLETE 1M SX47 STD SECTION	(FOR D12 MM FORESTAY)
06	09190147042	COMPLETE 1M SX47 STD SECTION	(FOR D14 MM FORESTAY)
06b	26132470106	1M ANODISED SX47 EXTERNAL FOIL	
06b	26132470206	2M ANODISED SX47 EXTERNAL FOIL	
07	31001220800	LONG FORGED SHACKLE 8 MM	
08	31001250800	BOW SHACKLE D08MM	
08+7	09130202470	SHACKLE KIT L200-290/R260-300	
08b	31001250800	BOW SHACKLE D08MM	
09	26134470036	SX47 CONNECTOR	
10	09130128470	COMPLETE SX47 STD SAIL FEEDER	BENETEAU GROUP ONLY
11	09130124150	36x SX39+47/R34 SCREWS - 16M50	
12	26136470166	SX47 TELESCOPIC SECTION	
14	09282471513	LPK 150MM D12.7 FD310	
14	09282471516	LPK 150MM D16 FD310	
14	09282471519	LPK 150MM D19 FD310	
14	09282472516	LPK 250MM D16 FD310	
14	09282472518	LPK 250MM D18 FD310	
14	09295034120	D12MM FD LOWPIN+BSHG FD280-310	
14	09295034140	D14MM FD LOWPIN+BSHG FD280-310	
14	09295034160	D16MM FD LOWPIN+BSHG FD280-310	
14	09295034180	D18MM FD LOWPIN+BSHG FD280-310	
14	09295034220	D22MM FD LOWPIN+BSHG FD280-310	
15	20002100200	M10 X 20 SCREWS	
16	35022000224	FLEXIBL PLSTC STRIPS FD170A310	
17	09183320119	LINK PLATE 200MM FD280-310	
17	09183325119	LINK PLATE 250MM FD280-310	
17	09183515098	LINK PLATE 150MM FD280-310	
17	89015411426	FD LINK PLATES LGTH 76	FD280-310 5MM THICKNESS
18	09297034160	FD310-280 16MMPIN+BUSHNGS+BOLT	
18	09297034180	FD310-280 18MMPIN+BUSHNGS+BOLT	
18	09297034190	FD310-280 19MMPIN+BUSHNGS+BOLT	
18	09297034220	FD310-280 22MMPIN+BUSHNGS+BOLT	
21	28037134008	HALF GUIDE FD310	
21b	25200040084	CPT FD280TO310 FURL GUIDE	WITH SCREWS & NUTS+NOT
23	09266310040	FRL LINE/WEB ASSEMBLD FD28-310	FL10X15M-WB18M+1A+4F CC
24	09266310041	FRL LINE/WEB ASSEMBLDFD28-310	ROPE10X18M-WEB27.7M
25	09270000040	FD WEBBING SWIVEL	
26	24000102200	SINGLE FAIRLEAD+ PRODUCT CARD	REF SL25
27	24000102300	ARTICULATED STANCHION FAIRLEAD	REF ASL25/28
28	09266410044	27.7M+SCREW/FD280-310 WEB KIT	

FD280 SPARE PART LIST
EXPLOD DRAWING# FD01/FD02/FD03

Rep	Reference	Description	
29	09274734130	4 FIXATION CROSSING SCREWS	FD310/FD280
30	89010000113	GUIDE FIXATION PLATE	FD310/FD280
31	09274834130	SCREW+WASHER F/TTE SECTION	FD310-FD280
34	09275034130	FD SCREW SET FOR PLATE	FD310-FD280
37	09274914130	SCREW SET FOR HALF FD GUIDE	
42	09274303403	HALF NYLON RING FD310+3 SCREWS	FD280
43	24013161218	METER OF FD WEBBING / BLACK	16MMX1.2 FD190x20M-310x2
44	09220310219	SX47FD280DRUMKIT+FL+LP07PIN19	REPLACEMT OF DRUM LSLX
44	09220310222	SX47FD280DRUMKIT+FL+LP07PIN22	REPLACEMT OF DRUM LSLX
45	28022447165	BUSHING D16MM PIN LPK L200-290	
45	28022447195	BUSHING D19.5MM PINLPKL200-290	50MM WIDE TOGGLE
45	28022453225	BUSHING D20MM PIN LPK L330	
48	09163047000	SWIVEL INTERNAL BUSHING - SX47	
49	09163147000	CHD34-47 SWIVEL S-S RING	
50	09275030010	STOPPING PLATE+SCREW	FD280-310

FD310 SPARE PART LIST
EXPLOD DRAWING# FD01/FD02/FD03

Rep	Reference	Description	
	24013161220	100M DYNEEMA WEBBING 16x1.2MM	DELIVERED ON ROLL
01	09213310060	COMPLT STD NOSE DRUM FD310R34	
02	09170034040	COMPLETE RA C34 SWIVEL	
03	09171000508	RDD GM HAL. DEF. WHEEL	FORESTAY D8-10-11.1
03	09171000509	RDD GM HAL. DEF. WHEEL	FORESTAY D9.52
03	09171000512	RDD GM HAL. DEF. WHEEL	FORESTAY D12-12.7
04	09130204340	R34 TOP CAP	
05	09130125374	14 R34 BUSHNG/D10+11.1FORESTAY	21M50 - BUSHING D12
05	09130125378	14 R34 BUSHINGS/D12.7 FORESTAY	21M50 - BUSHING D13.5
05	09196034100	R34 BUSHING D100+11.1MM	FORESTAY
05	09196034120	R34 BUSHING D12.7MM FORESTAY	
06	09190034040	COMPLETE 2M R34 STD SECTION	(FOR D10+11 MM FORESTAY
06	09190034041	COMPLETE 2M R34 STD SECTION	(FOR D12.7 MM FORESTAY)
06	09190134040	COMPLETE 1M R34 STD SECTION	(FOR D10+11 MM FORESTAY
06	09190134041	COMPLETE 1M R34 STD SECTION	(FOR D12.7 MM FORESTAY)
07	31001220800	LONG FORGED SHACKLE 8 MM	
08	31001250800	BOW SHACKLE D08MM	
08+7	09130202470	SHACKLE KIT L200-290/R260-300	
08b	31001250800	BOW SHACKLE D08MM	

FD310 SPARE PART LIST
EXPLOD DRAWING# FD01/FD02/FD03

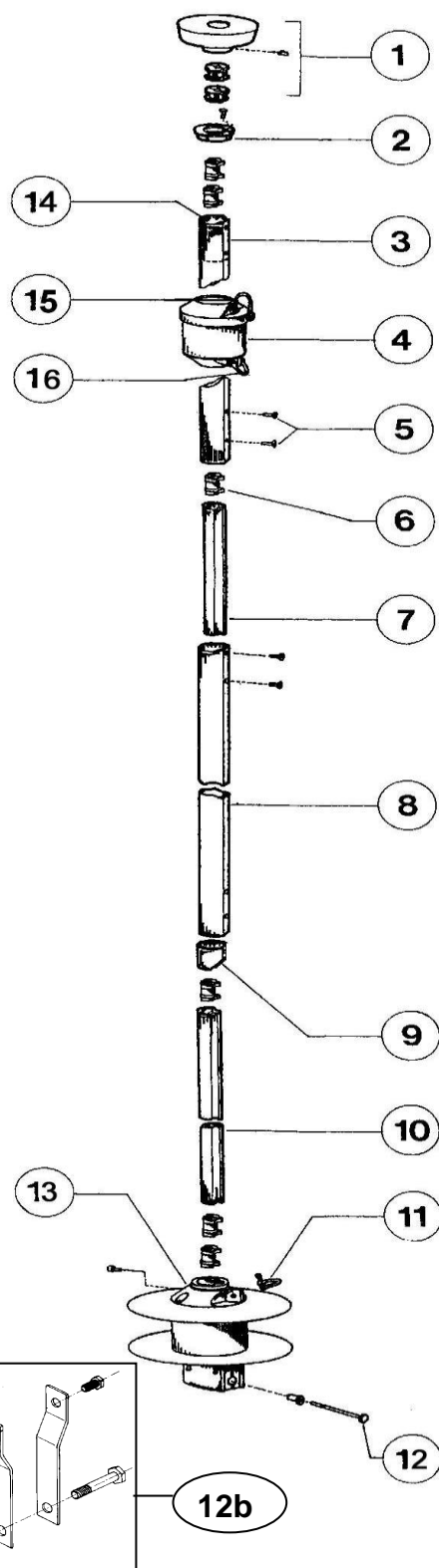
Rep	Reference	Description	
09	26097034030	R34 CONNECTOR	
10	09130128340	COMPLETE R34 STD SAIL FEEDER	
11	09130124150	36x SX39+47/R34 SCREWS - 16M50	
12	26136340166	R34 TELESCOPIC SECTION	
14	09282471513	LPK 150MM D12.7 FD310	
14	09282471516	LPK 150MM D16 FD310	
14	09282471519	LPK 150MM D19 FD310	
14	09282472516	LPK 250MM D16 FD310	
14	09282472518	LPK 250MM D18 FD310	
14	09295034120	D12MM FD LOWPIN+BSHG FD280-310	
14	09295034140	D14MM FD LOWPIN+BSHG FD280-310	
14	09295034160	D16MM FD LOWPIN+BSHG FD280-310	
14	09295034180	D18MM FD LOWPIN+BSHG FD280-310	
14	09295034220	D22MM FD LOWPIN+BSHG FD280-310	
15	20002100200	M10 X 20 SCREWS	
16	35022000224	FLEXIBL PLSTC STRIPS FD170A310	
17	09183315119	LINK PLATE 150MM FD280-310	
17	09183320119	LINK PLATE 200MM FD280-310	
17	09183325119	LINK PLATE 250MM FD280-310	
17	09297034220	FD310-280 22MMPIN+BUSHNGS+BOLT	
17	89015411426	FD LINK PLATES LGTH 76	FD280-310 5MM THICKNESS
18	09297034160	FD310-280 16MMPIN+BUSHNGS+BOLT	
18	09297034180	FD310-280 18MMPIN+BUSHNGS+BOLT	
18	09297034190	FD310-280 19MMPIN+BUSHNGS+BOLT	
21	28037134008	HALF GUIDE FD310	
21b	25200040084	CPT FD280TO310 FURL GUIDE	WITH SCREWS & NUTS+NOT
23	09266310040	FRL LINE/WEB ASSEMBLD FD28-310	FL10X15M-WB18M+1A+4F CC
24	09266310041	FRL LINE/WEB ASSEMBLDFD28-310	ROPE10X18M-WEB27.7M
25	09270000040	FD WEBBING SWIVEL	
26	24000102200	SINGLE FAIRLEAD+ PRODUCT CARD	REF SL25
27	24000102300	ARTICULATED STANCHION FAIRLEAD	REF ASL25/28
28	09266410044	27.7M+SCREW/FD280-310 WEB KIT	
29	09274734130	4 FIXATION CROSSING SCREWS	FD310/FD280
30	89010000113	GUIDE FIXATION PLATE	FD310/FD280
31	09274834130	SCREW+WASHER F/TTE SECTION	FD310-FD280
34	09275034130	FD SCREW SET FOR PLATE	FD310-FD280
37	09274914130	SCREW SET FOR HALF FD GUIDE	
42	09274303403	HALF NYLON RING FD310+3 SCREWS	FD280
43	24013161218	METER OF FD WEBBING / BLACK	16MMX1.2 FD190x20M-310x2'
44	09220310116	R34FD310DRUMKIT+FL+LP07PIN16	REPLACEMT OF DRUM RX30
44	09220310118	R34FD310DRUMKIT+FL+LP07PIN18	REPLACEMT OF DRUM RX30

FD310 SPARE PART LIST
EXPLOD DRAWING# FD01/FD02/FD03

Rep	Reference	Description	
44	09220310119	R34FD310DRUMKIT+FL+LP07PIN19	REPLACEMT OF DRUM RX30
45	28022447165	BUSHING D16MM PIN LPK L200-290	
45	28022447195	BUSHING D19.5MM PINLPKL200-290	50MM WIDE TOGGLE
48	09163034000	SWIVEL INTERNAL BUSHING - R34	
49	09163147000	CHD34-47 SWIVEL S-S RING	
50	09275030010	STOPPING PLATE+SCREW	FD280-310

DESCRIPTIF DES PIÈCES DES ENROULEURS "SD" et "R"

NAME OF THE "SD" and "R" RANGE PARTS



1. Rondelle défecteur de drisse

1. Halyard deflector

2. Bouchon de profil

2. Top cap

3. Section haute (2m)

3. Top section (2m)



4. Curseur émerillon

4. Halyard swivel

5. Vis de fixation de profils

5. Screws

6. Palier

6. Bearing

7. Manchon

7. Connector

8. Section standard (1 ou 2m)

8. Standard section (1 or 2m)

9. Entrée de voile

9. Feeder

10. Tube télescopique

10. Telescopic section

11. Manille (tambour)

11. Drum shackle

12. Axes et bagues

12. Pin and bushings

12b. Kit lattes cintrées

12b. Link plate kit

13. Tambour nez standard (13b nez long)

13. Drum with std nose (13b with long nose)

14. Butée de paliers (profil S seulement)

14. Bearing stop (S foil section only)

15. Manille haute (émerillon)

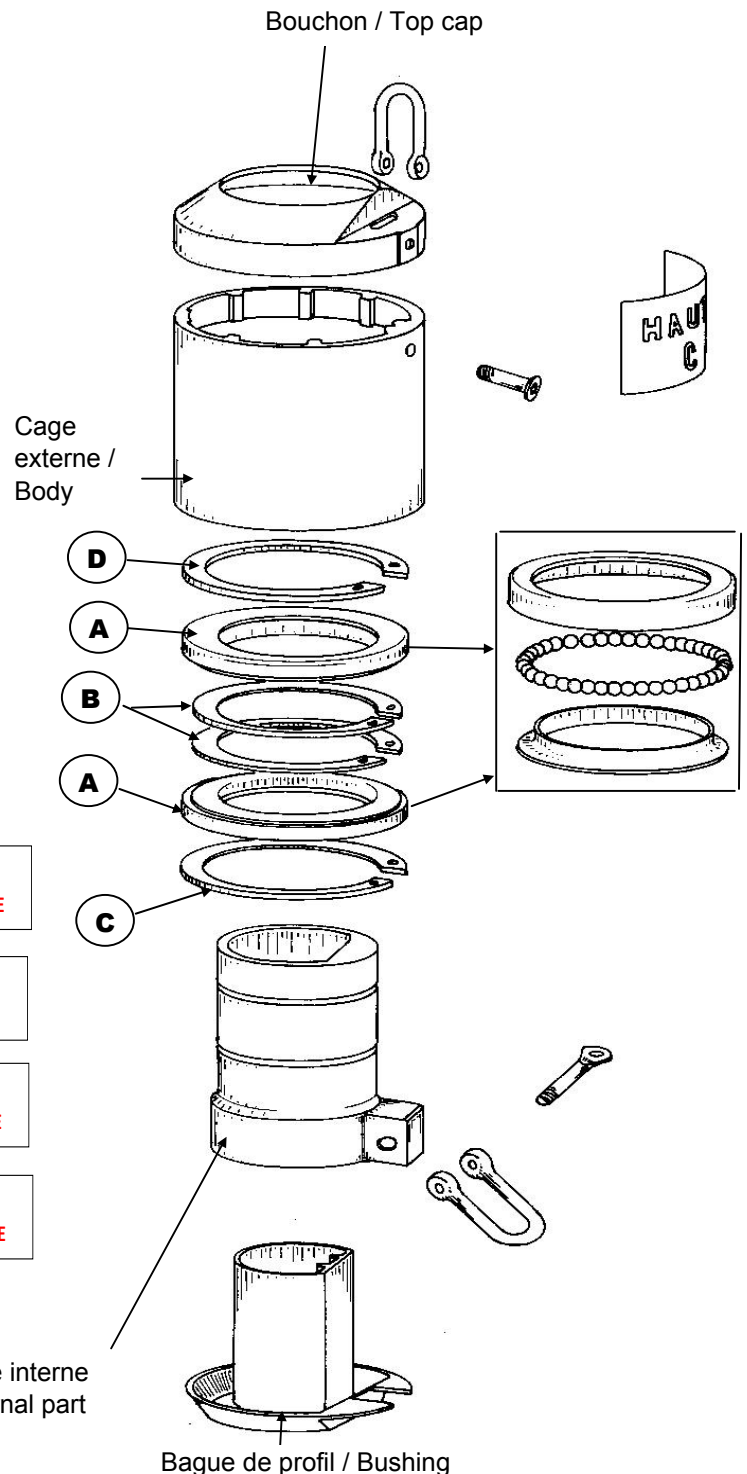
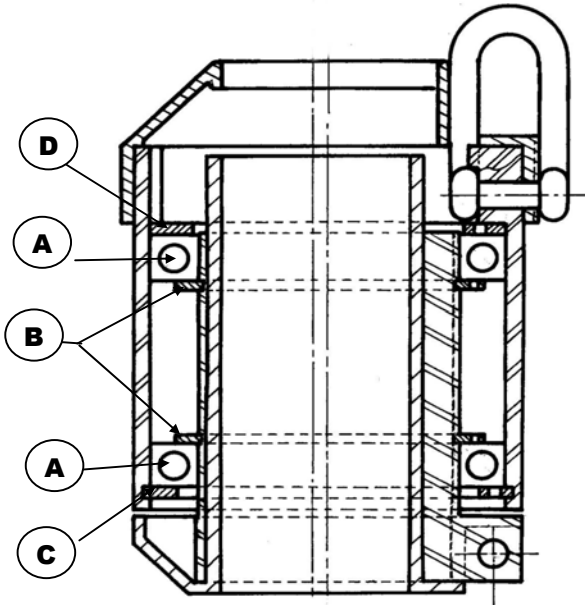
15. Top halyard swivel shackle

16. Manille basse (émerillon)

16. Bottom halyard swivel shackle

Plan de principe d'un curseur émerillon "SD" "SD" halyard swivel drawing

FICHE TECHNIQUE N° SD05



	C30/C14	C38/R24	C46/R34
A	Roulement / Bearing Ø44xØ60x8 14098160000	Roulement / Bearing Ø58xØ76x9 14098176000	NON DISPONIBLE NO MORE AVAILABLE
B	Circlips externe Ø45 External ring Ø45 14072045100	Circlips externe Ø58 External ring Ø58 14072058100	NON DISPONIBLE NO MORE AVAILABLE
C	Circlips interne Ø60 Internal ring Ø60 14071060100	Circlips interne Ø75 Internal ring Ø75 14071075100	NON DISPONIBLE NO MORE AVAILABLE
D	Circlips interne Ø58 Internal ring Ø58 14071058100	Circlips interne Ø72 Internal ring Ø72 14071072100	NON DISPONIBLE NO MORE AVAILABLE

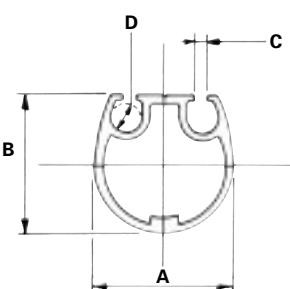
E = 2xA + 2xB + C + D

Cage interne / Internal part

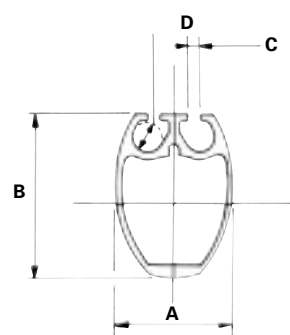
Bague de profil / Bushing

D

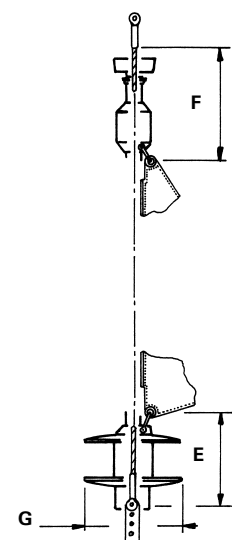
Dimensions et caractéristiques techniques



	S 30	S 38	S 46	S 54
A	30	39	47	63
B	31	40,2	48	40,2
C	3	3	3	3
D	Ø 7	Ø 8	Ø 8	Ø 8



	R 14	R 24	R 34
A	22	25	34,5
B	31,5	36	49
C	2,7	2,7	2,7
D	Ø 5,5	Ø 7	Ø 8



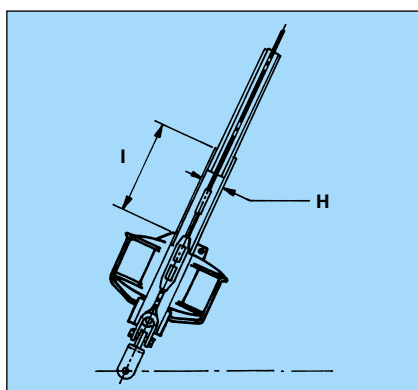
	SD 60	SD 70	SD 80	SD 100	SD 130	SD 150	SD 165	SD 180	SD 200	SD 260	SD 290	SD 320
E	140	140	150	150	170	170	170	225	225	225	245	295
F	270	270	270	270	330	330	330	330	365	365	365	450
G	130	130	130	150	150	150	165	200	200	240	240	330

	R 80	R 100	R 130	R 150	R 200	R 260	R 290
E	150	150	170	170	225	225	245
F	270	270	270	305	305	360	360
G	130	130	150	165	207	207	240

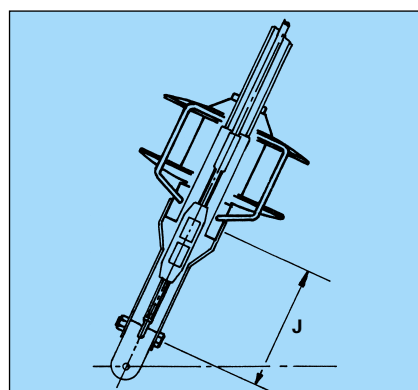
A

DAPTATION ET MONTAGE AVEC UN RIDOIR

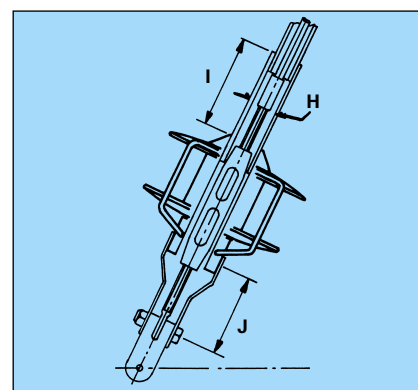
Montage avec Avale-ridoir



Montage avec Kit Ridoir



Montage avec Kit Ridoir et Avale-ridoir



	SD 60	SD 70	SD 80	SD 100	SD 130	SD 150	SD 165	SD 180	SD 200	SD 260	SD 290	SD 320
H	45	45	45	45	45	45	45	45	60	60	60	80
I	200	200	200	200	200	200	200	200	250	250	250	250
J	55/175/265	55/175/265	55/175/265	55/175/265	55/175/265	55/175/265	55/175/265	140/265	140/265	140/265	140/265/380	150/380

	R 80	R 100	R 130	R 150	R 200	R 260	R 290
H	45	45	45	45	60	60	60
I	200	200	200	200	250	250	250
J	55/175/265	55/175/265	55/175/265	55/175/265	140/265	140/265	140/265/380

C

Caractéristiques générales

GAMME "PERFORMANCE" - "CROISIÈRE"

MODÈLE :	SD 70	SD 80	SD 100	SD 130	SD 150	SD 165	SD 180	SD 200	SD 260	SD 290	SD 320
Longueur Bateau	6 - 7 m	6,5 - 7,5 m	7 - 9 m	8 - 10 m	8,5 - 11 m	9 - 11,5 m	10 - 12 m	10 - 13 m	11 - 14 m	12 - 18 m	+ 14 m
Ø d'étai maxi	3 - 5 mm	4 - 5 mm	4 - 6 mm	4 - 7* mm	5 - 8 mm	5 - 10* mm	5 - 10* mm	6 - 10 mm	6 - 10 mm	10 - 14* mm	14 - 19 mm
* Montage obligatoire avec embout manuel (Norseman Stalock) ou ridoir											
TAMBOUR :	D 70	D 80	D 100	D 130	D 150	D 165	D 180	D 200	D 260	D 290	D 320
Roulement inox	2	2	2	2	2	2	2	2	2	2	2
Joint à lèvres	2	2	2	2	2	2	2	2	2	2	2
Ø Cordage Maxi	8	8	8	8	8	10	10	12	12	12	14
Ø Axe utilisable	6 - 10 mm	6 - 10 mm	8 - 12 mm	8 - 12 mm	8 - 14 mm	8 - 14 mm	8 - 16 mm	8 - 16 mm	8 - 16 mm	8 - 16 mm	12 - 20 mm
PROFIL :	S 30	S 30	S 30	S 30	S 38	S 38	S 38	S 46	S 46	S 46	R 54
Matière	6063 T6	6063 T6	6063 T6	6063 T6	6063 T6	6063 T6	6063 T6	6063 T6	6063 T6	6063 T6	6063 T6
Diamètre	30	30	30	30	38	38	38	46	46	46	54
Nombre de gorges	2	2	2	2	2	2	2	2	2	2	2
Ø intérieur gorges	7 mm	7 mm	7 mm	7 mm	8 mm	8 mm	8 mm	8 mm	8 mm	8 mm	8 mm
Poids/mètre	0,570 kg	0,570 kg	0,570 kg	0,570 kg	0,850 kg	0,850 kg	0,850 kg	1,050 kg	1,050 kg	1,050 kg	1,140 kg
Lg standard tube	2 m	2 m	2 m	2 m	2 m	2 m	2 m	2 m	2 m	2 m	2 m
Liaison des manchons	par vis	par vis	par vis	par vis	par vis	par vis	par vis	par vis	par vis	par vis	par vis
CURSEUR :	C 30	C 30	C 30	C 30	C 38	C 38	C 38	C 46	C 46	C 46	C 54
Nbre Roulem. inox	2	2	2	2	2	2	2	2	2	2	2
BOÎTE A RÉA :	B 30	B 30	B 30	B 30	B 38						
OPTIONS : ●											
Tambour démontable	●	●	●	●	●	●	●	●	●	●	●
Lattes pour ridoir	●	●	●	●	●	●	●	●	●	●	●
Avale-ridoir	●	●	●	●	●	●	●	●	●	●	●
Tube Lg 6 mètres	●	●	●	●	●	●	●	●	●	●	●

GAMME "RACING" - "COURSE/CROISIÈRE"

MODÈLE :	R 80	R 100	R 130	R 150	R 200	R 260	R 290
Longueur Bateau	6,5 - 8 m	7 - 9 m	8 - 10 m	9 - 11,5 m	10 - 13 m	10 - 13 m	12 - 18 m
Ø d'étai maxi	5 mm	6 mm	6 mm	8 mm	10 mm	10 mm	12 mm
Ø Ref Rod Maxi	-06	-08	-10	-17	-22	-22	-30
Ø Rod Maxi	(5,00 mm)	(5,70 mm)	(6,40 mm)	(8,40 mm)	(9,50 mm)	(9,50 mm)	(11,10 mm)
TAMBOUR :	R 80	R 100	R 130	R 150	R 200	R 260	R 290
Roulement inox	2	2	2	2	2	2	2
Joint à lèvres	2	2	2	2	2	2	2
Ø Cordage maxi	8	8	8	10	10	10	12
Ø Axe utilisable	6 - 10 mm	6 - 10 mm	6 - 10 mm	6 - 12 mm	8 - 14 mm	12 - 14 mm	14 - 18 mm
Tambour démontable	série	série	série	série	série	série	série
PROFIL :	R 14	R 14	R 14	R 24	R 24	R 34	R 34
Matière	6063 T6	6063 T6	6063 T6	6063 T6	6063 T6	6063 T6	6063 T6
Section	22 x 31	22 x 31	22 x 31	24 x 36	24 x 36	34 x 49	34 x 49
Nombre de gorges	2	2	2	2	2	2	2
Ø intérieur gorges	5 mm	5 mm	5 mm	7 mm	7 mm	8 mm	8 mm
Poids/mètre	0,451 kg	0,451 kg	0,451 kg	0,555 kg	0,555 kg	0,991 kg	0,991 kg
Lg standard tube	3 m	3 m	3 m	3 m	3 m	3 m	3 m
Liaison des manchons	par vis	par vis	par vis	par vis	par vis	par vis	par vis
CURSEUR :	C 14	C 14	C 14	C 24	C 24	C 34	C 34
Nbre Roulem. inox	2	2	2	2	2	2	2
OPTIONS : ●							
Lattes pour ridoir	●	●	●	●	●	●	●
Avale-ridoir	●	●	●	●	●	●	●

Renseignements et documentation



facnor
ENROULEURS DE VOILES

Parc d'Activités, B.P. 222
50550 SAINT-VAAST-LA-HOUGUE
Tel. : (33) 02 33 88 50 22 +
Fax : (33) 02 33 23 14 27
www.facnor.com

LE REVEREND S.A. - 02 33 21 44 00 - Photographies : Daniel SOHIER - Conception : Jean-Yves DUPERRON - Documents non contractuels



groupe
LOSANGE

Parc d'activités B.P. 222
50550 SAINT-VAAST-LA-HOUGUE
TEL. (33) 02 33 88 50 22 +
FAX : (33) 02 33 23 14 27

SPARCRAFT RIGGING
ESIM
RDM SPARCRAFT
SPARCRAFT C.C
FACNOR
CHARLESTON SPAR



ENROULEURS
de GRAND'VOILE
SYSTÈME FACSLID™
EMMAGASINEURS

www.facnor.com

SD060 SPARE PART LIST
EXPLOD DRAWING# SD04/SD05

Rep	Reference	Description	
01	09171000205	RDD PM HAL. DEF. WHEEL	FORESTAY D4-5
01	09171000206	RDD PM HAL. DEF. WHEEL	FORESTAY D6-7
02	09070030040	TOP CAP S30 + PIN	
03	09090230030	TOP SECTION S30	
04	09170030030	COMPLETE RA C30 SWIVEL	
04	09265030040	COMPLETE CT30 SWIVEL	
05	09130124140	28x SX33/R26 SREWS	
06	09096030700	S30 BUSHING/FORESTAY D6-7	
07	09092030030	S30 CONNECTOR+SCREW	
08	09090030040	S30 COMPLETE SECTION 2M.	
08	09090130040	S30 COMPLETE SECTION 1M.	
09	26040030130	S30 SAIL FEEDER + POP	
10	09091030040	TELESCOP.SECT.S30+RIVETS	
11	31001250600	BOW SHACKLE D06MM	
13	09110070042	LS70 DRUM S30 OLD STD NOSE	PIN/LK PLATES TO BE ADDEI
13b	09114070041	LS70 DRUM S30 OLD LONG NOSE	PIN/LK PLATES TO BE ADDEI
14	09092230030	BEARING STOP S30	
16	31001250500	BOW SHACKLE D05MM	
E	09066030040	ROLLS KIT + CIRCLIPS C30/C14	ROLLS D60MM
N/A	09080030030	SHEAVE BOX BR 30	

SD070 SPARE PART LIST
EXPLOD DRAWING# SD04/SD05

Rep	Reference	Description	
01	09171000205	RDD PM HAL. DEF. WHEEL	FORESTAY D4-5
01	09171000206	RDD PM HAL. DEF. WHEEL	FORESTAY D6-7
02	09070030040	TOP CAP S30 + PIN	
03	09090230030	TOP SECTION S30	
04	09170030030	COMPLETE RA C30 SWIVEL	
05	09130124140	28x SX33/R26 SREWS	
06	09096030700	S30 BUSHING/FORESTAY D6-7	
07	09092030030	S30 CONNECTOR+SCREW	
08	09090030040	S30 COMPLETE SECTION 2M.	
08	09090130040	S30 COMPLETE SECTION 1M.	
09	26040030130	S30 SAIL FEEDER + POP	
10	09091030040	TELESCOP.SECT.S30+RIVETS	
11	31001250600	BOW SHACKLE D06MM	
13	09110070042	LS70 DRUM S30 OLD STD NOSE	PIN/LK PLATES TO BE ADDEI

SD070 SPARE PART LIST
EXPLOD DRAWING# SD04/SD05

Rep	Reference	Description	
13b	09114070041	LS70 DRUM S30 OLD LONG NOSE	PIN/LK PLATES TO BE ADDEI
14	09092230030	BEARING STOP S30	
16	31001250500	BOW SHACKLE D05MM	
E	09066030040	ROLLS KIT + CIRCLIPS C30/C14	ROLLS D60MM
N/A	09080030030	SHEAVE BOX BR 30	

SD080 SPARE PART LIST
EXPLOD DRAWING# SD04/SD05

Rep	Reference	Description	
01	09171000205	RDD PM HAL. DEF. WHEEL	FORESTAY D4-5
01	09171000206	RDD PM HAL. DEF. WHEEL	FORESTAY D6-7
02	09070030040	TOP CAP S30 + PIN	
03	09090230030	TOP SECTION S30	
04	09170030030	COMPLETE RA C30 SWIVEL	
05	09130124140	28x SX33/R26 SREWS	
06	09096030700	S30 BUSHING/FORESTAY D6-7	
07	09092030030	S30 CONNECTOR+SCREW	
08	09090030040	S30 COMPLETE SECTION 2M.	
08	09090130040	S30 COMPLETE SECTION 1M.	
09	26040030130	S30 SAIL FEEDER + POP	
10	09091030040	TELESCOP.SECT.S30+RIVETS	
11	31001250600	BOW SHACKLE D06MM	
13	09110070042	LS70 DRUM S30 OLD STD NOSE	PIN/LK PLATES TO BE ADDEI
13b	09114070041	LS70 DRUM S30 OLD LONG NOSE	PIN/LK PLATES TO BE ADDEI
14	09092230030	BEARING STOP S30	
15	31001320500	LONG MILLED SHACKLE 5 MM	
16	31001250500	BOW SHACKLE D05MM	
E	09066030040	ROLLS KIT + CIRCLIPS C30/C14	ROLLS D60MM
N/A	09080030030	SHEAVE BOX BR 30	

SD100 SPARE PART LIST
EXPLOD DRAWING# SD04/SD05

Rep	Reference	Description	
01	09171000205	RDD PM HAL. DEF. WHEEL	FORESTAY D4-5
01	09171000206	RDD PM HAL. DEF. WHEEL	FORESTAY D6-7

SD100 SPARE PART LIST
EXPLOD DRAWING# SD04/SD05

Rep	Reference	Description	
02	09070030040	TOP CAP S30 + PIN	
03	09090230030	TOP SECTION S30	
04	09170030030	COMPLETE RA C30 SWIVEL	
05	09130124140	28x SX33/R26 SREWS	
06	09096030700	S30 BUSHING/FORESTAY D6-7	
07	09092030030	S30 CONNECTOR+SCREW	
08	09090030040	S30 COMPLETE SECTION 2M.	
08	09090130040	S30 COMPLETE SECTION 1M.	
09	26040030130	S30 SAIL FEEDER + POP	
10	09091030040	TELESCOP.SECT.S30+RIVETS	
11	31001250600	BOW SHACKLE D06MM	
13	09110100042	LS100STD DRUM+S30NSE+BSH W.07	SD100 REPLACEMT-ADD PIN
13b	09114100042	LS100DRM+INT TRN OP+S30NSE W07	+BSH-SD060-130RPLC-ADDP
14	09092230030	BEARING STOP S30	
15	31001320500	LONG MILLED SHACKLE 5 MM	
16	31001250500	BOW SHACKLE D05MM	
E	09066030040	ROLLS KIT + CIRCLIPS C30/C14	ROLLS D60MM
N/A	09080030030	SHEAVE BOX BR 30	

SD130 SPARE PART LIST
EXPLOD DRAWING# SD04/SD05

Rep	Reference	Description	
01	09171000205	RDD PM HAL. DEF. WHEEL	FORESTAY D4-5
01	09171000206	RDD PM HAL. DEF. WHEEL	FORESTAY D6-7
02	09070030040	TOP CAP S30 + PIN	
03	09090230030	TOP SECTION S30	
04	09170030030	COMPLETE RA C30 SWIVEL	
05	09130124140	28x SX33/R26 SREWS	
06	09096030700	S30 BUSHING/FORESTAY D6-7	
07	09092030030	S30 CONNECTOR+SCREW	
08	09090030040	S30 COMPLETE SECTION 2M.	
08	09090130040	S30 COMPLETE SECTION 1M.	
09	26040030130	S30 SAIL FEEDER + POP	
10	09091030040	TELESCOP.SECT.S30+RIVETS	
11	31001250600	BOW SHACKLE D06MM	
13	09110130025	LS130STD DRUM+S30NSE+BSH W.07	SD130 REPLACEMT-ADD PIN
13b	09114130043	LS130DRM+INT TRN OP+S38NSE W07	+BSH-SD130RPLC-ADD PIN/L
14	09092230030	BEARING STOP S30	

SD130 SPARE PART LIST
EXPLOD DRAWING# SD04/SD05

Rep	Reference	Description	
15	31001320500	LONG MILLED SHACKLE 5 MM	
16	31001250500	BOW SHACKLE D05MM	
E	09066030040	ROLLS KIT + CIRCLIPS C30/C14	ROLLS D60MM

SD150 SPARE PART LIST
EXPLOD DRAWING# SD04/SD05

Rep	Reference	Description	
01	09171000306	RDD MM HAL. DEF. WHEEL	FORESTAY D6-7-8
01	09171000310	RDD MM HAL. DEF. WHEEL	FORESTAY D10
02	09070038040	TOP CAP S 38+PIN	
04	09170038040	COMPLETE RA C38 SWIVEL	
05	09130124150	36x SX39+47/R34 SCREWS - 16M50	
07	09092038030	S38 CONNECTOR+SCREW	
10	09091038040	TELESCOP.SECT.S38+RIVETS	
11	31001250600	BOW SHACKLE D06MM	
14	09092238030	BEARING STOP S38	
15	31001320500	LONG MILLED SHACKLE 5 MM	
16	31001250600	BOW SHACKLE D06MM	
E	09066038040	ROLLS KIT + CIRCLIPS C38/C24	ROLLS D76MM

SD165 SPARE PART LIST
EXPLOD DRAWING# SD04/SD05

Rep	Reference	Description	
01	09171000306	RDD MM HAL. DEF. WHEEL	FORESTAY D6-7-8
01	09171000310	RDD MM HAL. DEF. WHEEL	FORESTAY D10
02	09070038040	TOP CAP S 38+PIN	
04	09170038040	COMPLETE RA C38 SWIVEL	
05	09130124150	36x SX39+47/R34 SCREWS - 16M50	
07	09092038030	S38 CONNECTOR+SCREW	
10	09091038040	TELESCOP.SECT.S38+RIVETS	
11	31001250600	BOW SHACKLE D06MM	
14	09092238030	BEARING STOP S38	
15	31001320500	LONG MILLED SHACKLE 5 MM	

SD165 SPARE PART LIST
EXPLOD DRAWING# SD04/SD05

Rep	Reference	Description	
16	31001250600	BOW SHACKLE D06MM	
E	09066038040	ROLLS KIT + CIRCLIPS C38/C24	ROLLS D76MM

SD180 SPARE PART LIST
EXPLOD DRAWING# SD04/SD05

Rep	Reference	Description	
01	09171000306	RDD MM HAL. DEF. WHEEL	FORESTAY D6-7-8
01	09171000310	RDD MM HAL. DEF. WHEEL	FORESTAY D10
02	09070038040	TOP CAP S 38+PIN	
04	09170038040	COMPLETE RA C38 SWIVEL	
05	09130124150	36x SX39+47/R34 SCREWS - 16M50	
07	09092038030	S38 CONNECTOR+SCREW	
10	09091038040	TELESCOP.SECT.S38+RIVETS	
11	31001250800	BOW SHACKLE D08MM	
12b	09082314016	TURNB.KIT PIND16 LG 140MM	
14	09092238030	BEARING STOP S38	
15	31001320500	LONG MILLED SHACKLE 5 MM	
16	31001250600	BOW SHACKLE D06MM	
E	09066038040	ROLLS KIT + CIRCLIPS C38/C24	ROLLS D76MM

SD200 SPARE PART LIST
EXPLOD DRAWING# SD04/SD05

Rep	Reference	Description	
01	09171000508	RDD GM HAL. DEF. WHEEL	FORESTAY D8-10-11.1
01	09171000509	RDD GM HAL. DEF. WHEEL	FORESTAY D9.52
01	09171000512	RDD GM HAL. DEF. WHEEL	FORESTAY D12-12.7
01	09171000514	RDD GM HAL. DEF. WHEEL	FORESTAY D14
02	09070046040	TOP CAP S46 + PIN	
04	09170046040	COMPLETE RA C46 SWIVEL	
05	09130124150	36x SX39+47/R34 SCREWS - 16M50	
06	09096046120	S46 D10/12 BUSHING	
08	09090046040	S46 2M SECTION WITHOUT CONNEC	WITHOUT CONNECTOR
08	09090146040	S46 1M SECTION WITHOUT CONNEC	WITHOUT CONNECTOR
11	31001250800	BOW SHACKLE D08MM	

SD200 SPARE PART LIST
EXPLOD DRAWING# SD04/SD05

Rep	Reference	Description	
12b	09082314016	TURNB.KIT PIND16 LG 140MM	
13	09110200042	LS200 STD DRUM+S46NSE+BSH W.08	SD200-260REPLACEMT-ADD
13	09110200043	LS200 STD DRUM+S46NSE+BSH W.10	SD200-260REPLACEMT-ADD
13b	09114200042	LS200DRM+INT TRN OP+S46NSE W08	+BSH-SD200-260RPLC-ADD F
13b	09114200043	LS200DRM+INT TRN OP+S46NSE W10	+BSH-SD200-260RPLC-ADD F
15	31001320800	LONG MILLED SHACKLE 8 MM	
16	31001250800	BOW SHACKLE D08MM	
48	33023246000	SWIVEL INTERNAL BUSHING - S46	

SD260 SPARE PART LIST
EXPLOD DRAWING# SD04/SD05

Rep	Reference	Description	
01	09171000508	RDD GM HAL. DEF. WHEEL	FORESTAY D8-10-11.1
01	09171000509	RDD GM HAL. DEF. WHEEL	FORESTAY D9.52
01	09171000512	RDD GM HAL. DEF. WHEEL	FORESTAY D12-12.7
01	09171000514	RDD GM HAL. DEF. WHEEL	FORESTAY D14
02	09070046040	TOP CAP S46 + PIN	
04	09170046040	COMPLETE RA C46 SWIVEL	
05	09130124150	36x SX39+47/R34 SCREWS - 16M50	
06	09096046120	S46 D10/12 BUSHING	
08	09090046040	S46 2M SECTION WITHOUT CONNEC	WITHOUT CONNECTOR
08	09090146040	S46 1M SECTION WITHOUT CONNEC	WITHOUT CONNECTOR
11	31001250800	BOW SHACKLE D08MM	
12b	09082314016	TURNB.KIT PIND16 LG 140MM	
13	09110200042	LS200 STD DRUM+S46NSE+BSH W.08	SD200-260REPLACEMT-ADD
13	09110200043	LS200 STD DRUM+S46NSE+BSH W.10	SD200-260REPLACEMT-ADD
13b	09114200042	LS200DRM+INT TRN OP+S46NSE W08	+BSH-SD200-260RPLC-ADD F
13b	09114200043	LS200DRM+INT TRN OP+S46NSE W10	+BSH-SD200-260RPLC-ADD F
15	31001320800	LONG MILLED SHACKLE 8 MM	
16	31001250800	BOW SHACKLE D08MM	
48	33023246000	SWIVEL INTERNAL BUSHING - S46	

SD290 SPARE PART LIST
EXPLOD DRAWING# SD04/SD05

Rep	Reference	Description	
01	09171000508	RDD GM HAL. DEF. WHEEL	FORESTAY D8-10-11.1
01	09171000509	RDD GM HAL. DEF. WHEEL	FORESTAY D9.52
01	09171000512	RDD GM HAL. DEF. WHEEL	FORESTAY D12-12.7
01	09171000514	RDD GM HAL. DEF. WHEEL	FORESTAY D14
02	09070046040	TOP CAP S46 + PIN	
04	09170046040	COMPLETE RA C46 SWIVEL	
05	09130124150	36x SX39+47/R34 SCREWS - 16M50	
06	09096046120	S46 D10/12 BUSHING	
06	09096046140	S46 D14MM WIRE BUSHING	
08	09090046040	S46 2M SECTION WITHOUT CONNEC	WITHOUT CONNECTOR
08	09090146040	S46 1M SECTION WITHOUT CONNEC	WITHOUT CONNECTOR
11	31001250800	BOW SHACKLE D08MM	
12b	09082314016	TURNB.KIT PIND16 LG 140MM	
13	09110290042	LS290 STD DRUM+S46NSE+BSH W.12	SD290 REPLACEMT-ADD PIN
13	09110290043	LS290 STD DRUM+S46NSE+BSH W.14	SD290 REPLACEMT-ADD PIN
13b	09114290042	LS290DRM+LONG S46 NOSE WIRE 12	PIN OR LINK PLATES TO BE /
13b	09114290043	LS290DRUM LONG S46 NOSE WIRE14	PIN OR LINK PLATES TO BE /
15	31001320800	LONG MILLED SHACKLE 8 MM	
16	31001250800	BOW SHACKLE D08MM	
48	33023246000	SWIVEL INTERNAL BUSHING - S46	

R080 SPARE PART LIST
EXPLOD DRAWING# SD04/SD05

Rep	Reference	Description	
01	09171000205	RDD PM HAL. DEF. WHEEL	FORESTAY D4-5
01	09171000206	RDD PM HAL. DEF. WHEEL	FORESTAY D6-7
02	09130204140	R14 TOP CAP	
03	09190014040	COMPLETE 2M R14 STD SECTION	(FOR D4+5 MM FORESTAY)
03	09190014041	COMPLETE 2M R14 STD SECTION	(FOR D6+7 MM FORESTAY)
04	09170014040	NEW GENERATION C14 HAL. SWIVEL	
05	09130124320	32x SX25/R14+24 SCREWS	
06	09096014070	R14 BUSHING	
07	26097014030	R14 CONNECTOR	
08	09190014040	COMPLETE 2M R14 STD SECTION	(FOR D4+5 MM FORESTAY)
08	09190014041	COMPLETE 2M R14 STD SECTION	(FOR D6+7 MM FORESTAY)
08	09190114040	COMPLETE 1M R14 STD SECTION	(FOR D4+5 MM FORESTAY)
08	09190114041	COMPLETE 1M R14 STD SECTION	(FOR D6+7 MM FORESTAY)
09	09130128140	COMPLETE R14 STD SAIL FEEDER	
10	09091014030	R14 TELESCOPIC SECTION	
13	09113070042	RX070 STD DRUM+R14NSE+BSH W.05	R80 REPLACEMENT-ADD PIN
13b	09117070042	RX070DRM+INT TRN OP+R14NSE W05	+BSH-R 80RPLC-ADD PIN/LPI
E	09066030040	ROLLS KIT + CIRCLIPS C30/C14	ROLLS D60MM

R100 SPARE PART LIST
EXPLOD DRAWING# SD04/SD05

Rep	Reference	Description	
01	09171000205	RDD PM HAL. DEF. WHEEL	FORESTAY D4-5
01	09171000206	RDD PM HAL. DEF. WHEEL	FORESTAY D6-7
02	09130204140	R14 TOP CAP	
03	09190014040	COMPLETE 2M R14 STD SECTION	(FOR D4+5 MM FORESTAY)
03	09190014041	COMPLETE 2M R14 STD SECTION	(FOR D6+7 MM FORESTAY)
04	09170014040	NEW GENERATION C14 HAL. SWIVEL	
05	09130124320	32x SX25/R14+24 SCREWS	
06	09096014070	R14 BUSHING	
07	26097014030	R14 CONNECTOR	
08	09190014040	COMPLETE 2M R14 STD SECTION	(FOR D4+5 MM FORESTAY)
08	09190014041	COMPLETE 2M R14 STD SECTION	(FOR D6+7 MM FORESTAY)
08	09190114040	COMPLETE 1M R14 STD SECTION	(FOR D4+5 MM FORESTAY)
08	09190114041	COMPLETE 1M R14 STD SECTION	(FOR D6+7 MM FORESTAY)
09	09130128140	COMPLETE R14 STD SAIL FEEDER	
10	09091014030	R14 TELESCOPIC SECTION	
13	09113100042	RX100 STD DRUM+R14NSE+BSH W.06	R100 REPLACEMENT-ADD PIN/L

R100 SPARE PART LIST
EXPLOD DRAWING# SD04/SD05

Rep	Reference	Description	
13b	09117100042	RX100DRM+INT TRN OP+R14NSE W06	+BSH-R100RPLC-ADD PIN/LP
E	09066030040	ROLLS KIT + CIRCLIPS C30/C14	ROLLS D60MM

R130 SPARE PART LIST
EXPLOD DRAWING# SD04/SD05

Rep	Reference	Description	
01	09171000205	RDD PM HAL. DEF. WHEEL	FORESTAY D4-5
01	09171000206	RDD PM HAL. DEF. WHEEL	FORESTAY D6-7
02	09130204140	R14 TOP CAP	
03	09190014040	COMPLETE 2M R14 STD SECTION	(FOR D4+5 MM FORESTAY)
03	09190014041	COMPLETE 2M R14 STD SECTION	(FOR D6+7 MM FORESTAY)
04	09170014040	NEW GENERATION C14 HAL. SWIVEL	
05	09130124320	32x SX25/R14+24 SCREWS	
06	09096014070	R14 BUSHING	
07	26097014030	R14 CONNECTOR	
08	09190014040	COMPLETE 2M R14 STD SECTION	(FOR D4+5 MM FORESTAY)
08	09190014041	COMPLETE 2M R14 STD SECTION	(FOR D6+7 MM FORESTAY)
08	09190114040	COMPLETE 1M R14 STD SECTION	(FOR D4+5 MM FORESTAY)
08	09190114041	COMPLETE 1M R14 STD SECTION	(FOR D6+7 MM FORESTAY)
09	09130128140	COMPLETE R14 STD SAIL FEEDER	
10	09091014030	R14 TELESCOPIC SECTION	
13	09113130042	RX130STD DRUM+R14NSE+BSH W.07	R130 REPLACEMENT-ADD PI
13b	09117130042	RX130DRM+INT TRN OP+R14NSE W07	+BSH-R130RPLC-ADD PIN/LP
E	09066030040	ROLLS KIT + CIRCLIPS C30/C14	ROLLS D60MM

R150 SPARE PART LIST
EXPLOD DRAWING# SD04/SD05

Rep	Reference	Description	
01	09171000306	RDD MM HAL. DEF. WHEEL	FORESTAY D6-7-8
01	09171000310	RDD MM HAL. DEF. WHEEL	FORESTAY D10
02	09130204240	R24 TOP CAP	
03	09190024040	COMPLETE 2M R24 STD SECTION	(FOR D6+7+8 MM FORESTAY)
04	09170024040	COMPLETE RA C24 SWIVEL	
05	09130124320	32x SX25/R14+24 SCREWS	
06	09096024080	R24 BUSHING/FORESTAY D8MM	

R150 SPARE PART LIST
EXPLOD DRAWING# SD04/SD05

Rep	Reference	Description	
07	26097024030	R24 CONNECTOR	
08	09190024040	COMPLETE 2M R24 STD SECTION (FOR D6+7+8 MM FORESTAY	
08	09190124040	COMPLETE 1M R24 STD SECTION (FOR D6+7+8 MM FORESTAY	
09	09130128240	COMPLETE R24 STD SAIL FEEDER	
10	09091024030	R24 TELESCOPIC SECTION	
13	09113165042	RX165STD DRUM+R24NSE+BSH W.08	R150 REPLACEMENT-ADD PI
13b	09117165042	RX165DRM+INT TRN OP+R24NSE W08	+BSH-R150RPLC-ADD PIN/LP
E	09066038040	ROLLS KIT + CIRCLIPS C38/C24	ROLLS D76MM

R200 SPARE PART LIST
EXPLOD DRAWING# SD04/SD05

Rep	Reference	Description	
01	09171000306	RDD MM HAL. DEF. WHEEL FORESTAY D6-7-8	
01	09171000310	RDD MM HAL. DEF. WHEEL FORESTAY D10	
02	09130204240	R24 TOP CAP	
03	09190024040	COMPLETE 2M R24 STD SECTION (FOR D6+7+8 MM FORESTAY	
04	09170024040	COMPLETE RA C24 SWIVEL	
05	09130124320	32x SX25/R14+24 SCREWS	
06	09096024080	R24 BUSHING/FORESTAY D8MM	
07	26097024030	R24 CONNECTOR	
08	09190024040	COMPLETE 2M R24 STD SECTION (FOR D6+7+8 MM FORESTAY	
08	09190124040	COMPLETE 1M R24 STD SECTION (FOR D6+7+8 MM FORESTAY	
09	09130128240	COMPLETE R24 STD SAIL FEEDER	
10	09091024030	R24 TELESCOPIC SECTION	
12b	09082314016	TURNB.KIT PIND16 LG 140MM	
13	09113200042	RX200 STD DRUM+R24NSE+BSH W.10	R200 REPLACEMENT-ADD PI
13b	09117200042	RX200DRM+INT TRN OP+R24NSE W10	+BSH-R200RPLC-ADD PIN/LP
E	09066038040	ROLLS KIT + CIRCLIPS C38/C24	ROLLS D76MM

R260 SPARE PART LIST
EXPLOD DRAWING# SD04/SD05

Rep	Reference	Description	
01	09171000508	RDD GM HAL. DEF. WHEEL FORESTAY D8-10-11.1	
01	09171000509	RDD GM HAL. DEF. WHEEL FORESTAY D9.52	
01	09171000512	RDD GM HAL. DEF. WHEEL FORESTAY D12-12.7	

R260 SPARE PART LIST

EXPLOD DRAWING# SD04/SD05

Rep	Reference	Description	
02	09130204340	R34 TOP CAP	
03	09190034040	COMPLETE 2M R34 STD SECTION (FOR D10+11 MM FORESTAY	
04	09170034040	COMPLETE RA C34 SWIVEL	
05	09130124150	36x SX39+47/R34 SCREWS - 16M50	
06	09096034130	R34 BUSHING	
07	26097034030	R34 CONNECTOR	
08	09190034040	COMPLETE 2M R34 STD SECTION (FOR D10+11 MM FORESTAY	
08	09190034041	COMPLETE 2M R34 STD SECTION (FOR D12.7 MM FORESTAY)	
08	09190134040	COMPLETE 1M R34 STD SECTION (FOR D10+11 MM FORESTAY	
08	09190134041	COMPLETE 1M R34 STD SECTION (FOR D12.7 MM FORESTAY)	
09	09130128340	COMPLETE R34 STD SAIL FEEDER	
10	09091034030	R34 TELESCOPIC SECTION	
12b	09082314016	TURNB.KIT PIND16 LG 140MM	
13	09113300042	RX300 STD DRUM+R34NSE+BSH W.10 R260-300 REPLACEMT-ADD F	
13	09113300043	RX300 STD DRUM+R34NSE+BSH W.12 R260-300 REPLACEMT-ADD F	
13b	09117300042	RX300DRM+INT TRN OP+R34NSE W10 +BSH-R260-300RPLC-ADD PII	
13b	09117300043	RX300DRM+INT TRN OP+R34NSE W12 +BSH-R260-300RPLC-ADD PII	

R290 SPARE PART LIST

EXPLOD DRAWING# SD04/SD05

Rep	Reference	Description	
01	09171000508	RDD GM HAL. DEF. WHEEL FORESTAY D8-10-11.1	
01	09171000509	RDD GM HAL. DEF. WHEEL FORESTAY D9.52	
01	09171000512	RDD GM HAL. DEF. WHEEL FORESTAY D12-12.7	
01	09171000514	RDD GM HAL. DEF. WHEEL FORESTAY D14	
02	09130204340	R34 TOP CAP	
03	09190034040	COMPLETE 2M R34 STD SECTION (FOR D10+11 MM FORESTAY	
03	09190034041	COMPLETE 2M R34 STD SECTION (FOR D12.7 MM FORESTAY)	
04	09170034040	COMPLETE RA C34 SWIVEL	
05	09130124150	36x SX39+47/R34 SCREWS - 16M50	
06	09096034130	R34 BUSHING	
07	26097034030	R34 CONNECTOR	
08	09190034040	COMPLETE 2M R34 STD SECTION (FOR D10+11 MM FORESTAY	
08	09190034041	COMPLETE 2M R34 STD SECTION (FOR D12.7 MM FORESTAY)	
08	09190134040	COMPLETE 1M R34 STD SECTION (FOR D10+11 MM FORESTAY	
08	09190134041	COMPLETE 1M R34 STD SECTION (FOR D12.7 MM FORESTAY)	
09	09130128340	COMPLETE R34 STD SAIL FEEDER	
10	09091034030	R34 TELESCOPIC SECTION	

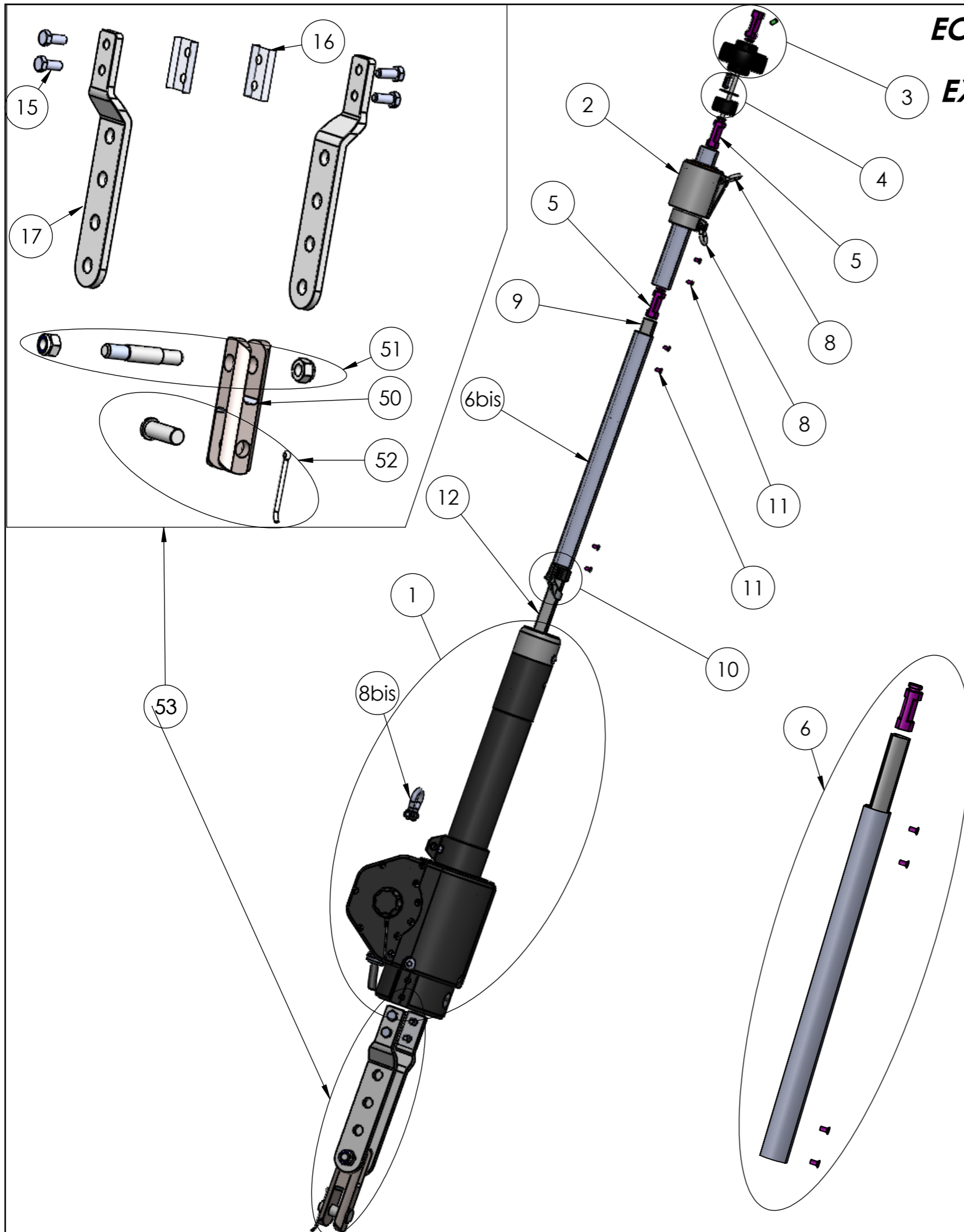
R290 SPARE PART LIST
EXPLOD DRAWING# SD04/SD05

Rep	Reference	Description	
12b	09082314016	TURNB.KIT PIND16 LG 140MM	
13	09113300042	RX300 STD DRUM+R34NSE+BSH W.10	R260-300 REPLACEMT-ADD F
13	09113300043	RX300 STD DRUM+R34NSE+BSH W.12	R260-300 REPLACEMT-ADD F
13b	09117300042	RX300DRM+INT TRN OP+R34NSE W10	+BSH-R260-300RPLC-ADD PII
13b	09117300043	RX300DRM+INT TRN OP+R34NSE W12	+BSH-R260-300RPLC-ADD PII

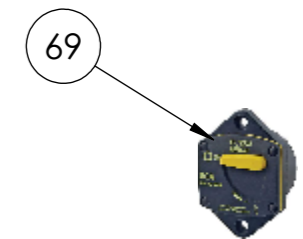
R300 SPARE PART LIST
EXPLOD DRAWING# SD04/SD05

Rep	Reference	Description	
01	09171000508	RDD GM HAL. DEF. WHEEL	FORESTAY D8-10-11.1
01	09171000509	RDD GM HAL. DEF. WHEEL	FORESTAY D9.52
01	09171000512	RDD GM HAL. DEF. WHEEL	FORESTAY D12-12.7
01	09171000514	RDD GM HAL. DEF. WHEEL	FORESTAY D14
02	09130204340	R34 TOP CAP	
03	09190034040	COMPLETE 2M R34 STD SECTION	(FOR D10+11 MM FORESTAY
03	09190034041	COMPLETE 2M R34 STD SECTION	(FOR D12.7 MM FORESTAY)
04	09170034040	COMPLETE RA C34 SWIVEL	
05	09130124150	36x SX39+47/R34 SCREWS - 16M50	
06	09096034130	R34 BUSHING	
07	26097034030	R34 CONNECTOR	
08	09190034040	COMPLETE 2M R34 STD SECTION	(FOR D10+11 MM FORESTAY
08	09190034041	COMPLETE 2M R34 STD SECTION	(FOR D12.7 MM FORESTAY)
08	09190134040	COMPLETE 1M R34 STD SECTION	(FOR D10+11 MM FORESTAY
08	09190134041	COMPLETE 1M R34 STD SECTION	(FOR D12.7 MM FORESTAY)
09	09130128340	COMPLETE R34 STD SAIL FEEDER	
10	09091034030	R34 TELESCOPIC SECTION	
12b	09082314016	TURNB.KIT PIND16 LG 140MM	
13	09113300042	RX300 STD DRUM+R34NSE+BSH W.10	R260-300 REPLACEMT-ADD F
13	09113300043	RX300 STD DRUM+R34NSE+BSH W.12	R260-300 REPLACEMT-ADD F
13b	09117300042	RX300DRM+INT TRN OP+R34NSE W10	+BSH-R260-300RPLC-ADD PII
13b	09117300043	RX300DRM+INT TRN OP+R34NSE W12	+BSH-R260-300RPLC-ADD PII

**ECLATE "ENROULEURS EC" - PIECES
DETACHEES/
EXPLODED VIEW OF "EC FURLING
SYSTEM" - SPARE PARTS**

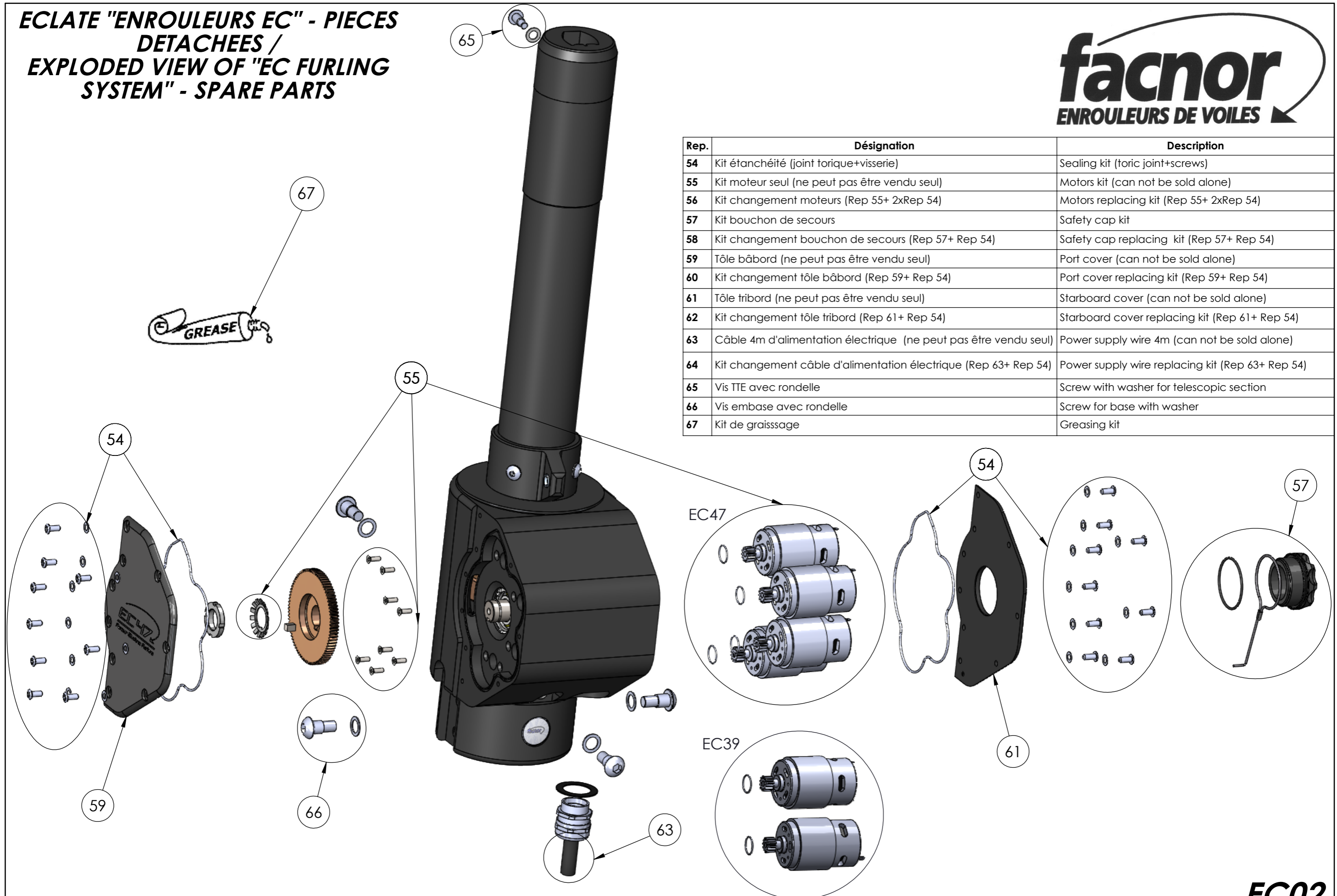


Rep.	Désignation	Description
1	Bloc moteur EC	Motorised drive unit EC
2	Emerillon	Swivel
3	Rondelle déflectrice	Halyard deflector wheel
4	Bouchon + plaque + pige	Top cap + plate + pin
5	Palier	Bushing
6	Kit profil externe double gorge	Twin groove foil sectionFoil section Kit
6bis	Profil externe seul	Twin groove foil section
8	Manille lyre émerillon	Swivel bow shackle
8bis	Manille lyre bloc moteur	Motorised drive unit bow shackle
9	Manchon	Connector
10	Entrée de voile	Sail feeder
11	Vis TFX (profil)	Screw (foil section)
12	Tube télescopique	Telescopic section
15	Vis H fixation latte (KR)	Upper screw(TK)
16	Cale plastique isolante latte (KR)	Plastic strip (TK)
17	Latte (KR)	Link plate (TK)
50	Cardan	Toggle
51	Axe haut + écrou	Top fixing pin + nut
52	Axe bas + goupille	Bottom fixing pin + split pin
53	Kit latte cardan	Link plate and toggle kit
68	Coffret relais	Relais box
69	Disjoncteur	Circuit breaker



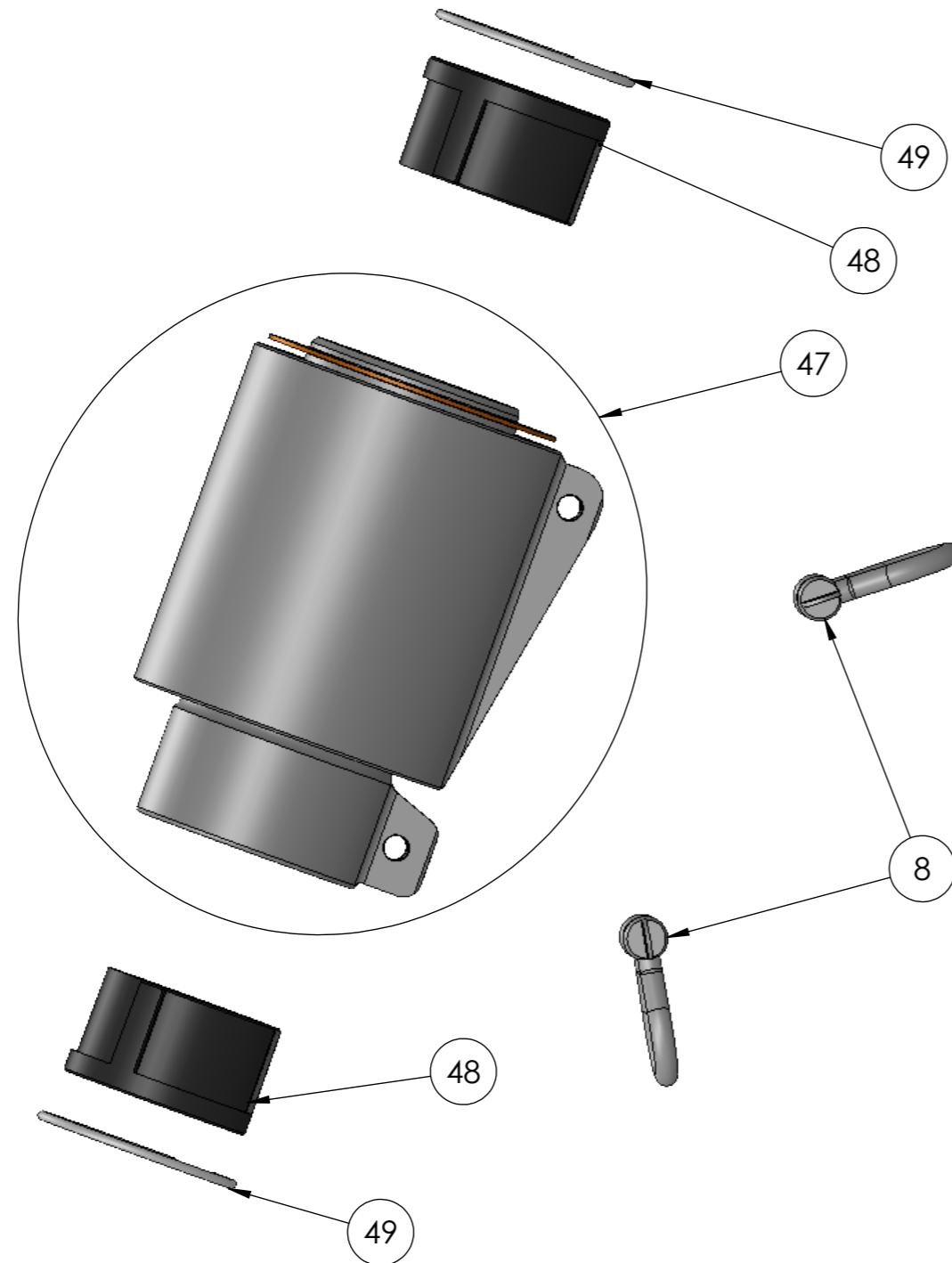
**ECLATE "ENROULEURS EC" - PIECES
DETACHEES /
EXPLODED VIEW OF "EC FURLING
SYSTEM" - SPARE PARTS**

facnor
ENROULEURS DE VOILES



Rep.	Désignation	Description
54	Kit étanchéité (joint torique+visserie)	Sealing kit (toric joint+screws)
55	Kit moteur seul (ne peut pas être vendu seul)	Motors kit (can not be sold alone)
56	Kit changement moteurs (Rep 55+ 2xRep 54)	Motors replacing kit (Rep 55+ 2xRep 54)
57	Kit bouchon de secours	Safety cap kit
58	Kit changement bouchon de secours (Rep 57+ Rep 54)	Safety cap replacing kit (Rep 57+ Rep 54)
59	Tôle bâbord (ne peut pas être vendu seul)	Port cover (can not be sold alone)
60	Kit changement tôle bâbord (Rep 59+ Rep 54)	Port cover replacing kit (Rep 59+ Rep 54)
61	Tôle tribord (ne peut pas être vendu seul)	Starboard cover (can not be sold alone)
62	Kit changement tôle tribord (Rep 61+ Rep 54)	Starboard cover replacing kit (Rep 61+ Rep 54)
63	Câble 4m d'alimentation électrique (ne peut pas être vendu seul)	Power supply wire 4m (can not be sold alone)
64	Kit changement câble d'alimentation électrique (Rep 63+ Rep 54)	Power supply wire replacing kit (Rep 63+ Rep 54)
65	Vis TTE avec rondelle	Screw with washer for telescopic section
66	Vis embase avec rondelle	Screw for base with washer
67	Kit de graissage	Greasing kit

ECLATE CURSEUR EMERILLON ETANCHES RLTS ACIER
MODELES C14/24/33/39/47 (Profils SX/R) & C38/46 (ancien profil S)
EXPLODED DRAWING OF WATERPROOF HALYARD SWIVEL (STEEL BEARING)
C14/24/33/39/47 (SX/R section) & C38/46 (S former section)



Rep.	Désignation	Description
8	Manille lyre	Bow shack
47	Mécanisme émerillon partiel	Partial swivel mechanism
48	Bague interne	Internal sleeve
49	Jonc	Clips

EC39 SPARE PART LIST
EXPLOD DRAWING# EC01/EC02/EC03

Rep	Reference	Description	
01	56020730390	EC39 MOTORISED DRIVE UNIT	EC39 SX39 12V - D6 SHACKLI
01	56020731390	EC39 MOTORISED DRIVE UNIT	EC39 SX39 24V - D6 SHACKLI
02	09170039040	COMPLETE RA C39 SWIVEL	D8 SHACKLE
03	09171000306	RDD MM HAL. DEF. WHEEL	FORESTAY D6-7-8
03	09171000310	RDD MM HAL. DEF. WHEEL	FORESTAY D10
03	09171000312	RDD MM HAL. DEF. WHEEL	FORESTAY D12
04	09130204390	SX39 TOP CAP	
05	09130125152	12 SX39 BUSHING/D6-7-8FORESTAY	17M50 - BUSHING D9.5
05	09130125158	12 SX39 BUSHINGS/D10 FORESTAY	17M50 - BUSHING D11
05	09196039080	SX39 BEARING/FORESTAY D6+7+8MM	D9.5 BEARING
05	09196039100	SX39 BEARING/FORESTAY D10 MM	D11 BEARING
06	09190039040	COMPLETE 2M SX39 STD SECTION	(FOR D6+7+8 MM FORESTAY
06	09190039041	COMPLETE 2M SX39 STD SECTION	(FOR D10 MM FORESTAY)
06	09190139040	COMPLETE 1M SX39 STD SECTION	(FOR D6+7+8 MM FORESTAY
06	09190139041	COMPLETE 1M SX39 STD SECTION	(FOR D10 MM FORESTAY)
06b	26132390106	1M ANODISED SX39 EXTERNAL FOIL	
06b	26132390206	2M ANODISED SX39 EXTERNAL FOIL	
08	31001250600	BOW SHACKLE D06MM	
08B	31001250800	BOW SHACKLE D08MM	
09	26134390036	SX39 CONNECTOR	
10	09130128390	COMPLETE SX39 STD SAIL FEEDER	
11	09130124150	36x SX39+47/R34 SCREWS - 16M50	
12	26136390166	SX39 TELESCOPIC SECTION	
15	20002080200	M8 X 20 SCREWS	
16	35022001039	0.5 MM PLASTIC STRIP	EC39
17	89016400132	32WAF 4 HOLES LINK PLATES	8MM THICK-EC39
17	89016400138	38WAF 4 HOLES LINK PLATES	EC39
17	89016400145	45WAF 4 HOLES LINK PLATES	EC39
50	35009039103	TOGGLE JAW/JAW FOR D12.7MM PIN	WIDTH 13-EC39
50	56020521602	TOGGLE JAW/JAW FOR D16MM PIN	RMEJ1.02/EC39 EC47
50	56020521812	TOGGLE JAW/JAW FOR D18.5MM PIN	EC39
51	56020715390	EC39 D12.7 TOP FIXING PIN	& NUT
51	56020716390	EC39 D16 TOP FIXING PIN	& NUT
51	56020717390	EC39 D19 TOP FIXING PIN	& NUT
52	56020718390	EC39 D12.7 BOTTOM FIXING PIN	& SPLIT PIN
52	56020719390	EC39 D16 BOTTOM FIXING PIN	& SPLIT PIN
52	56020720390	EC39 D19 BOTTOM FIXING PIN	& SPLIT PIN
53	03299021304	EC39 TOG+LK PLTES+PIND12.7MM	EC39 4 DRILL PLATES
53	03299021304	EC39 TOG+LK PLTES+PIND12.7MM	EC39 4 DRILL PLATES
53	03299021604	EC39 TOGGLE+LK PLTES+PIN D16MM	EC39 4 DRILL PLATES
53	03299021904	EC39 TOGGLE+LK PLTES+PIN D19MM	EC39 4 DRILL PLATES

EC39 SPARE PART LIST
EXPLOD DRAWING# EC01/EC02/EC03

Rep	Reference	Description	
54	56020700390	EC39 SEALING KIT	REP 54
56	56020702390	EC39 MOTOR REPLACEMENT KIT	REP 56
57	56020703390	EC39/EC47 SAFETY CAP KIT	REP 57
58	56020704390	EC39 SAFETY CAP REPLACMNT KIT	REP 58
60	56020706390	EC39 PORT PLATE REPLACMNT KIT	REP 60
62	56020708390	EC39STARBOARD PLATE REPLCT KIT	REP 62
64	56020711390	EC39 SUPPLY WIRE REPLCMNT KIT	REP 64
65	56020712390	EC39 SX39 SCREW+WASHER FOR	TELESCOPIC SECTION-REP I
66	56020713390	EC39/47 SCREW FOR BASE+WASHER	REP 66
67	56020714390	EC39 GREASING KIT	FIND NR 67
68	56012000500	FACNOR50A 12-24V RELAY BOX	EC3-EC47/C.BREAKR NOT IN
69	56012000125	30A CIRCUIT BREAKER	24V MOTORISATION
69	56012000130	60A CIRCUIT BREAKER	12V MOTORISATION

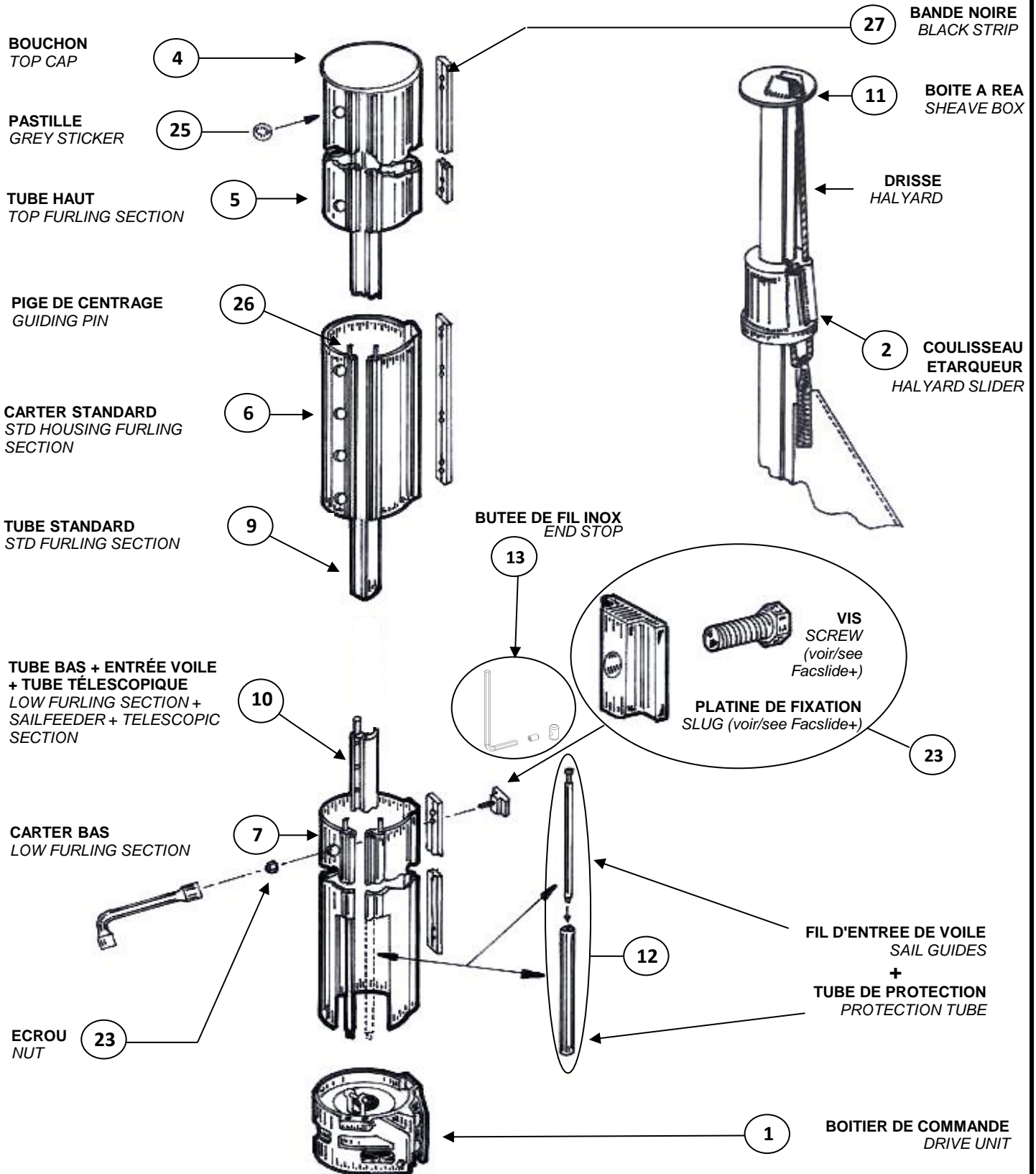
EC47 SPARE PART LIST
EXPLOD DRAWING# EC01/EC02/EC03

Rep	Reference	Description	
01	56020733470	EC47 MOTORISED DRIVE UNIT	EC47 SX47 12V - D8 SHACKLI
01	56020734470	EC47 MOTORISED DRIVE UNIT	EC47 SX47 24V - D8 SHACKLI
02	09170047040	COMPLETE RA C47 SWIVEL	
03	09171000508	RDD GM HAL. DEF. WHEEL	FORESTAY D8-10-11.1
03	09171000512	RDD GM HAL. DEF. WHEEL	FORESTAY D12-12.7
03	09171000514	RDD GM HAL. DEF. WHEEL	FORESTAY D14
04	09130204470	SX47 TOP CAP	
05	09130125184	14 SX47 BUSHINGS/D10 FORESTAY	21M50 - BUSHING D12
05	09130125186	14 SX47 BUSHG/D12+12.7FORESTAY	21M50 - BUSHING D14.5
05	09130125188	14 SX47 BUSHINGS/D14 FORESTAY	21M50 - BUSHING D16
06	09190047040	COMPLETE 2M SX47 STD SECTION	(FOR D10 MM FORESTAY)
06	09190047041	COMPLETE 2M SX47 STD SECTION	(FOR D12 MM FORESTAY)
06	09190047042	COMPLETE 2M SX47 STD SECTION	(FOR D14 MM FORESTAY)
06	09190147040	COMPLETE 1M SX47 STD SECTION	(FOR D10 MM FORESTAY)
06	09190147041	COMPLETE 1M SX47 STD SECTION	(FOR D12 MM FORESTAY)
06	09190147042	COMPLETE 1M SX47 STD SECTION	(FOR D14 MM FORESTAY)
06b	26132470106	1M ANODISED SX47 EXTERNAL FOIL	
06b	26132470206	2M ANODISED SX47 EXTERNAL FOIL	
08	31001250800	BOW SHACKLE D08MM	
08B	31001251000	BOW SHACKLE D10MM	
09	26134470036	SX47 CONNECTOR	

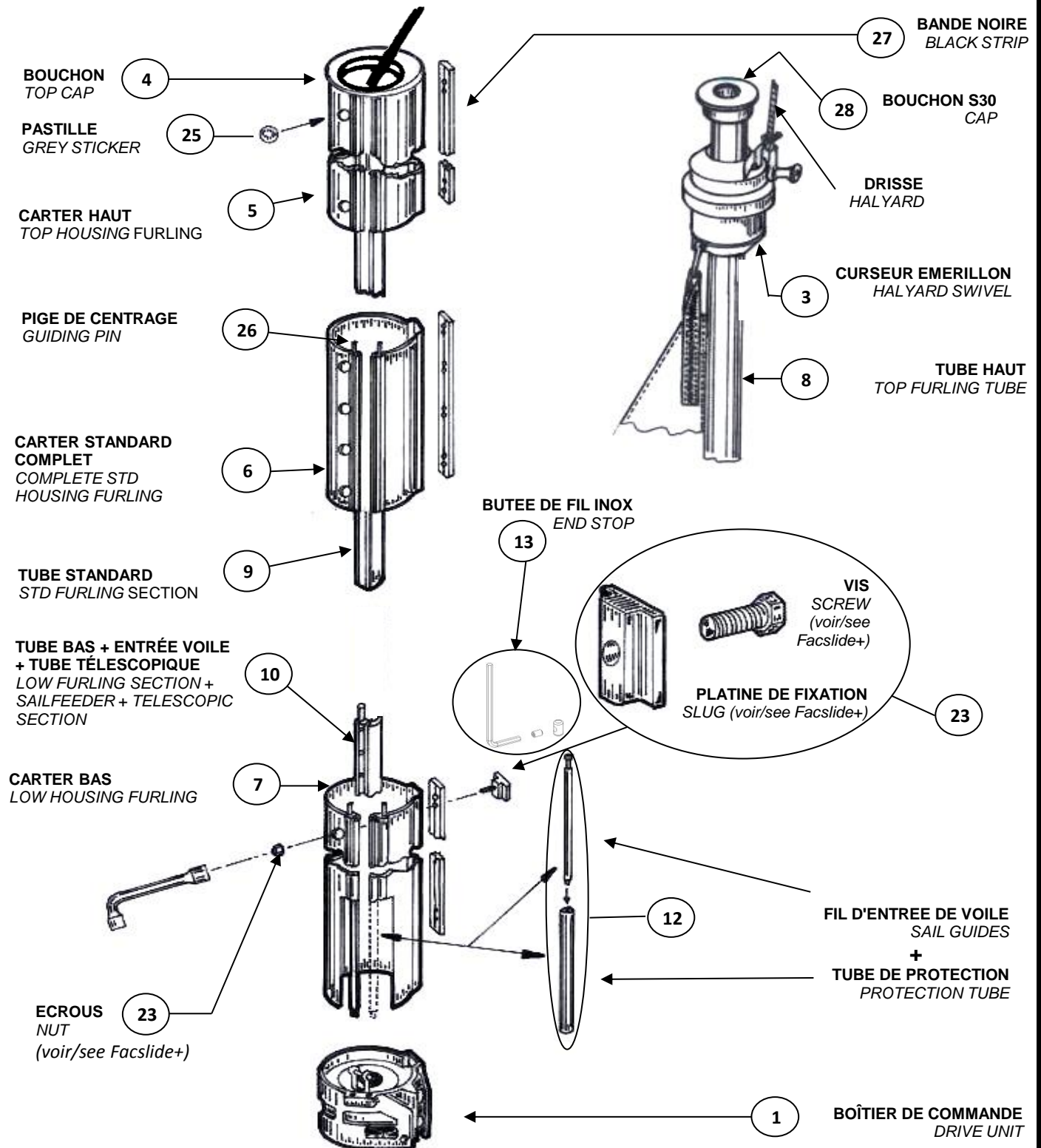
EC47 SPARE PART LIST
EXPLOD DRAWING# EC01/EC02/EC03

Rep	Reference	Description	
10	09130128470	COMPLETE SX47 STD SAIL FEEDER	BENETEAU GROUP ONLY
10	09130128470	COMPLETE SX47 STD SAIL FEEDER	BENETEAU GROUP ONLY
11	09130124150	36x SX39+47/R34 SCREWS - 16M50	
12	26136470166	SX47 TELESCOPIC SECTION	
15	20002100250	10X25 SCREW	SS
16	35022001047	0.5 MM PLASTIC STRIP	EC47
17	89016600138	38WAF 4 HOLES LINK PLATES	10MM THICK-EC47
17	89016600145	45WAF 4 HOLES LINK PLATES	EC47
17	89016600152	52WAF 4 HOLES LINK PLATES	EC47
17	89016600158	58WAF 4 HOLES LINK PLATES	EC47
50	56020521602	TOGGLE JAW/JAW FOR D16MM PIN	RMEJ1.02/EC39 EC47
50	56020521812	TOGGLE JAW/JAW FOR D18.5MM PIN	EC39
50	56020522202	TOGGLE JAW/JAW FOR D22MM PIN	
50	56020522516	TOGGLE JAW/JAW FOR D25MM PIN	
51	56020721470	EC47 D16 TOP FIXING PIN	& NUT
51	56020722470	EC47 D19 TOP FIXING PIN	& NUT
51	56020723470	EC47 D22 TOP FIXING PIN	& NUT
51	56020724470	EC47 D25 TOP FIXING PIN	& NUT
52	56020726470	EC47 D16 BOTTOM FIXING PIN	& SPLIT PIN
52	56020727470	EC47 D19 BOTTOM FIXING PIN	& SPLIT PIN
52	56020728470	EC47 D22 BOTTOM FIXING PIN	& SPLIT PIN
52	56020729470	EC47 D25 BOTTOM FIXING PIN	& SPLIT PIN
53	03299031604	EC47 TOGGLE+LK PLTES+PIN D16MM	EC47 4 DRILL PLATES
53	03299031904	EC47 TOGGLE+LK PLTES+PIN D19MM	EC47 4 DRILL PLATES
53	03299032204	EC47 TOGGLE+LK PLTES+PIN D22MM	EC47 4 DRILL PLATES
53	03299032504	EC47 TOGGLE+LK PLTES+PIN D25MM	EC47 4 DRILL PLATES
54	56020700470	EC47 SEALING KIT	FIND NR 54
56	56020702470	EC47 MOTOR REPLACEMENT KIT	FIND NR 56
57	56020703390	EC39/EC47 SAFETY CAP KIT	REP 57
58	56020704470	EC47 SAFETY CAP REPLCMNT KIT	FIND NR 58
60	56020706470	EC47 PORT PLATE REPLCMNT KIT	FIND NR 60
62	56020708470	EC47STARBOARD PLATE REPLCM KIT	FIND NR 62
64	56020711470	EC47 SUPPLY WIRE REPLCMNT KIT	FIND NR 64
65	56020712470	EC47 SX47 SCREW+WASHER FOR	TELESCOPIC SECTION-FIND
66	56020713390	EC39/47 SCREW FOR BASE+WASHER	REP 66
67	56020713470	EC47 GREASING KIT	REP 67
68	56012000500	FACNOR50A 12-24V RELAY BOX	EC3-EC47/C.BREAKR NOT IN
69	56012000125	30A CIRCUIT BREAKER	24V MOTORISATION
69	56012000130	60A CIRCUIT BREAKER	12V MOTORISATION

DETAIL ET ECLATE D'UN ENROULEUR DE GRAND VOILE AVEC BALADEUR
INFORMATION ON THE PARTS OF A MAINSAIL FURLER WITH HALYARD SLIDER



DETAIL ET ECLATE D'UN ENROULEUR DE GRAND VOILE AVEC CURSEUR
INFORMATION ON THE PARTS OF A MAINSAIL FURLER WITH HALYARD SWIVEL

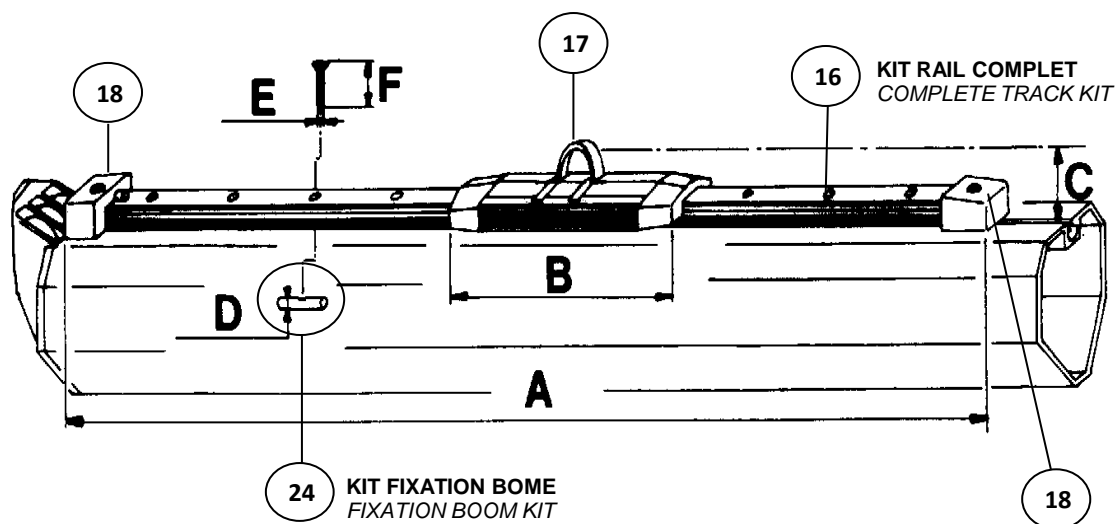


COTES ET DETAILS DU KIT DE BÔME STANDARD, réf. RC

REP 14

INFORMATION AND DIMENSIONS OF THE STANDARD BOOM KIT, ref. RC

- Cet ensemble comprend :** This standard boom kit includes :
- un curseur à billes. - a ball-bearing car.
 - x profils de rail de 1,70 m. - x 1,70 m track sections (5'7).
 - 2 embouts de rail. - 2 end stops.
 - 1 jeu de plots de fixation. - 1 set of slugs and screws.



Modèle EGV	Réf. Kit	A	B	D	E	F
Type of furler	Kit ref.	A	B	D	E	F
CF 80	RC 80	2 x (1,7 M. - 5'7)	mm - ins 175 - 6'57/64	mm - ins Ø 10 - 3/8	mm - ins Ø 5 - 3/16	mm - ins 20 - 25/32
CF 105	RC 105	3 x (1,7 M. - 5'7)	mm - ins 175 - 6'57/64	mm - ins Ø 10 - 3/8	mm - ins Ø 5 - 3/16	mm - ins 20 - 25/32

NOTA : Cet ensemble est compris dans le prix de l'enrouleur de grand'voile.
 NOTA : This standard boom kit is included into the price of the mainsail furler.

FACNOR SAS

B.P 222, Parc d'Activités.

50550 ST VAAST LA HOUGUE

Tel : (33) 02 33 88 50 22

Fax : (33) 02 33 23 14 27

FICHE TECHNIQUE N° CF 18 - indice C/160304

COTES ET DETAILS DU KIT DE BÔME SPECIAL, réf. KB

REP 15

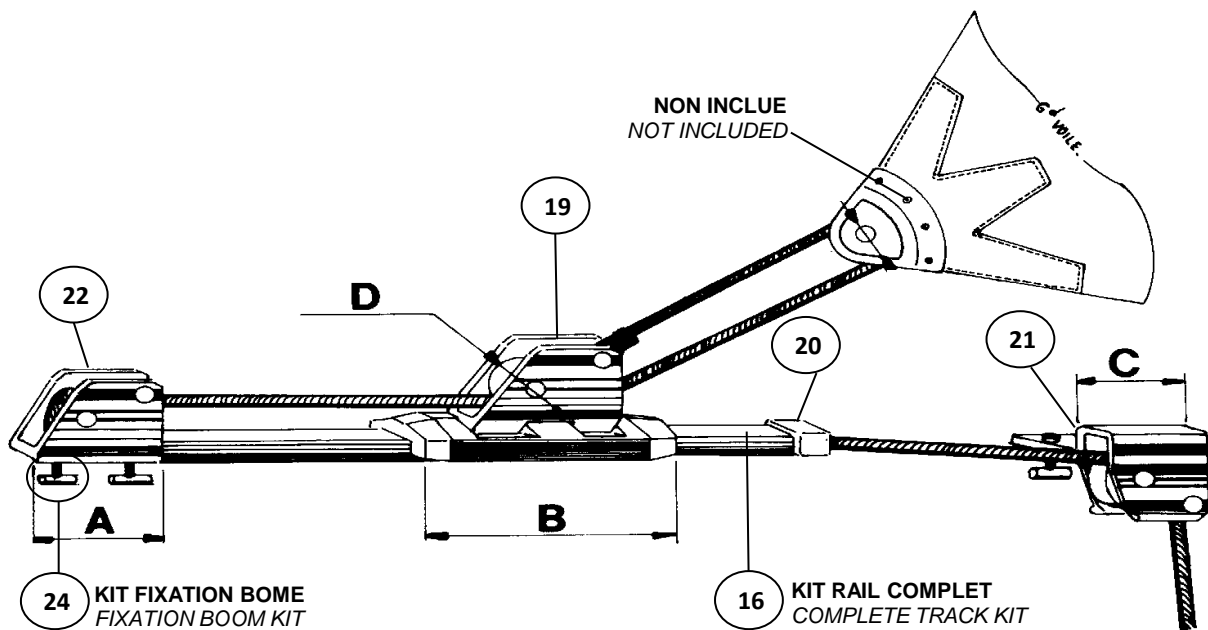
INFORMATION AND DIMENSIONS OF THE SPECIAL BOOM KIT, ref. KB

Cet ensemble comprend :

- un curseur à billes avec réa articulé.
- un boîtier arrière avec réa.
- un boîtier avant avec réa.
- un embout de rail à galets.
- 1 jeu de plots de fixation.

This special boom kit includes :

- 1 pivoting sheave on a ball-bearing car.
- x 1,70 m track sections (5'7).
- 1 front needle bearing sheave.
- 1 back needle bearing sheave.
- 1 special end stop.
- 1 set of slugs and screws.

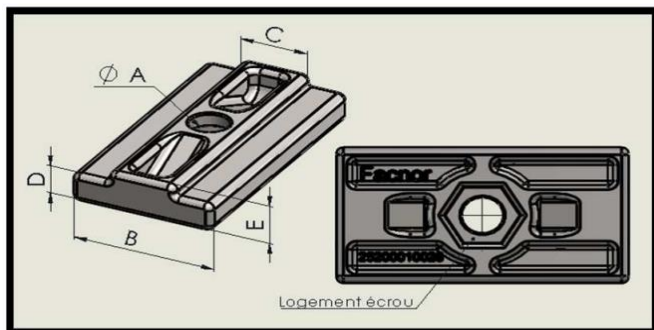


Modèle EGV	Réf. Kit Kit ref.	A	B	C	D
		mm - ins	mm - ins	mm - ins	mm - ins
CF 80	KB 80	80 - 3'5/32	175 - 6'57/64	85 - 3'11/32	50 - 2'
CF 105	KB 105	80 - 3'5/32	175 - 6'57/64	115 - 4'17/32	70 - 2'3/4

NOTA : Cet ensemble n'est pas compris dans le prix de l'enrouleur de grand'voile, il est proposé en option.

NOTA : This special boom kit is not included into the price of the mainsail furler but is an extra option.

DESCRIPTIF ET DIMENSIONS DES PLATINES DE FIXATION
INFORMATION AND DIMENSIONS OF THE SLUGS AND SCREWS

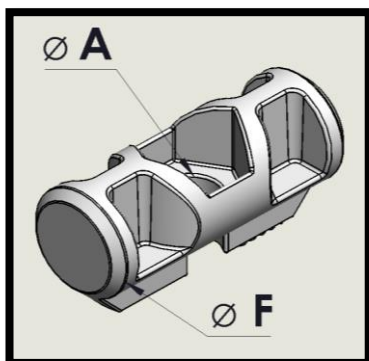


Platine n° 1 / Slug n° 1
Platine n° 2 / Slug n° 2
Platine n° 3 / Slug n° 3

25200010026	25200010028	25200010030	25200010032
Platine n° 1	Platine n° 2	Platine n° 3	Platine n° 3
Slug n° 1	Slug n° 2	Slug n° 3	Slug n° 3

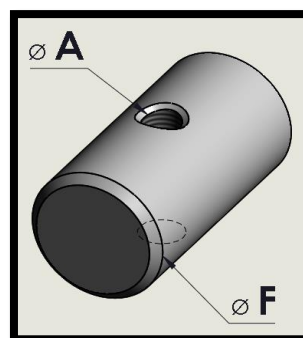
Modèle	F10-20-30			F40
A	M5/5 mm			M6/6 mm
B	16 mm	19 mm	23,9 mm	23,9 mm
C	9 mm	9 mm	12,5 mm	12,5 mm
D	4 mm	4,3 mm	4,8 mm	4,8 mm
E	6,3 mm	6 mm	7,8 mm	7,8 mm

Platine ronde / INOX



Platine Ø 10 mm / Ø 10 mm slug
Platine Ø 14 mm / Ø 14 mm slug
(vis THC / HH screw)

Platine ronde / ALUMINIUM



Platine Ø 8 mm / Ø 8 mm slug
Platine Ø 16 mm / Ø 16 mm slug
(vis sans tête / screw without head)

28051005080	25200010033	25200010035	28051006160
Platine Ø 8	Platine Ø 10	Platine Ø 14	Platine Ø 16
Ø 8 mm slug	Ø 10 mm slug	Ø 14 mm slug	Ø 16 mm slug

Modèle	F10-20-30			F40
A	M5			M6
F	10 mm	10 mm	14 mm	16 mm

CF080 SPARE PART LIST
EXPLOD DRAWG# CF12/13/14/17/18

Rep	Reference	Description	
01	51012080060	DRIVE UNIT CF80	
03	51065080040	HALYARD SWIVEL FOR CF80	
04	33070080001	CF80 HOUSING TOP CAP	
05	51091080200	CF80 TOP HOUSING SECTION ONLY	
06	51091080100	STANDARD HOUSING SECT.CF80	
07	51091080300	LOW HOUSING SECT.CF80	
08	51091031200	S30 TOP FURLING TUBE	
09	51091031100	STD 1.7M S30 SECTION CF80/105	COMPLETE
10	51091031300	LOW CF80/105 1.45M IN. SECTION	
11	51081030030	SHEAVE BOX BR30	
12	51041100220	SET OF 2 ROLLER GUIDES	
13	51041100050	SET OF STOPPERS/ROLLER GUIDE	
14	51087080000	RC80 TRACK+SLUGS+SCREWS	
15	51088080000	KB80 TRACK+CAR+SHEAVES	
16	51054201700	CF TRACK 1.70M+SLIDER+SCREW	
17	51053200200	RC BALL BEARING CAR CF80/105	
18	51055100500	COMPLETE END STOP RC BOOM	
19	51053201200	KB SHEAVE CAR TRAVELER CF80/10	
20	51055200500	END STOP WITH PEBBLES	
21	51082102500	AHEAD SHEAVE KB105	
22	51082201500	BACK SHEAVE KB65/105	
23	51094015161	SLUG Nø1+SPCL SCREW 5X16+NUT	TRACK/HSG SCTIONS FIXINC
23	51094025161	SLUG Nø2+SPCL SCREW 5X16+NUT	TRACK/HSG SCTIONS FIXINC
23	51094035180	SLUG Nø3+SCREW 5X18+NUT M5	TRACK/HSG SCTIONS FIXINC
23	51095105200	D10 SS SLUG+5X20SCREW+M5NUT	TRACK/HSG SCTIONS FIXINC
23	51095105201	SS D10 SLUG+SPCIL SCREW+NUT	TRACK/HSG SCTIONS FIXINC
23	51095145250	SLUG D14+SCREW 5X25+NUT	TRACK FIXING KIT
23	51095145251	SET 1xD14 SLUG+1xSCREW+1xBOLT	HALF THREAD/TRACK FIXATI
24	51009000100	KB/RC SLUG D08MM+SCREW	BOOM FIXATION KIT
24	51009000200	KB/RC SLUG D10MM+SCREW	BOOM FIXATION KIT
24	51009000300	KB/RC SLUG D14MM+SCREW	BOOM FIXATION KIT
24	51009000400	KB/RC SLUG No 1+SCREW	BOOM FIXATION KIT
24	51009000500	KB/RC SLUG No 2+SCREW	BOOM FIXATION KIT
24	51009000600	KB/RC SLUG No 3+ SCREW	BOOM FIXATION KIT
25	29050000010	GREY STICKER D025	
26	28095001030	GUIDE PINS CF70/105	
27	27090430010	PLASTIC STRIP/MAINS.FURLER	
28	09070030040	TOP CAP S30 + PIN	
NA	14098016305	BATCH 50 TORLON BALLS 06.35MM	(1/4"INCH)

CF090 SPARE PART LIST
EXPLOD DRAWG# CF12/13/14/17/18

Rep	Reference	Description	
02	51052090040	HALYARD SLIDER CF90	
04	33070090001	CF90 HOUSING TOP CAP	
11	51081030030	SHEAVE BOX BR30	
12	51041100220	SET OF 2 ROLLER GUIDES	
13	51041100050	SET OF STOPPERS/ROLLER GUIDE	
23	51094015161	SLUG Nø1+SPCL SCREW 5X16+NUT	TRACK/HSG SCTIONS FIXINC
23	51094025161	SLUG Nø2+SPCL SCREW 5X16+NUT	TRACK/HSG SCTIONS FIXINC
23	51094035180	SLUG Nø3+SCREW 5X18+NUT M5	TRACK/HSG SCTIONS FIXINC
23	51095105200	D10 SS SLUG+5X20SCREW+M5NUT	TRACK/HSG SCTIONS FIXINC
23	51095105201	SS D10 SLUG+SPCIL SCREW+NUT	TRACK/HSG SCTIONS FIXINC
23	51095145250	SLUG D14+SCREW 5X25+NUT	TRACK FIXING KIT
23	51095145251	SET 1xD14 SLUG+1xSCREW+1xBOLT	HALF THREAD/TRACK FIXATI
24	51009000100	KB/RC SLUG D08MM+SCREW	BOOM FIXATION KIT
24	51009000200	KB/RC SLUG D10MM+SCREW	BOOM FIXATION KIT
24	51009000300	KB/RC SLUG D14MM+SCREW	BOOM FIXATION KIT
24	51009000400	KB/RC SLUG No 1+SCREW	BOOM FIXATION KIT
24	51009000500	KB/RC SLUG No 2+SCREW	BOOM FIXATION KIT
24	51009000600	KB/RC SLUG No 3+ SCREW	BOOM FIXATION KIT
25	29050000010	GREY STICKER D025	
26	28095001030	GUIDE PINS CF70/105	
27	27090430010	PLASTIC STRIP/MAINS.FURLER	
28	09070030040	TOP CAP S30 + PIN	
NA	14098016305	BATCH 50 TORLON BALLS 06.35MM (1/4"INCH)	

CF105 SPARE PART LIST
EXPLOD DRAWG# CF12/13/14/17/18

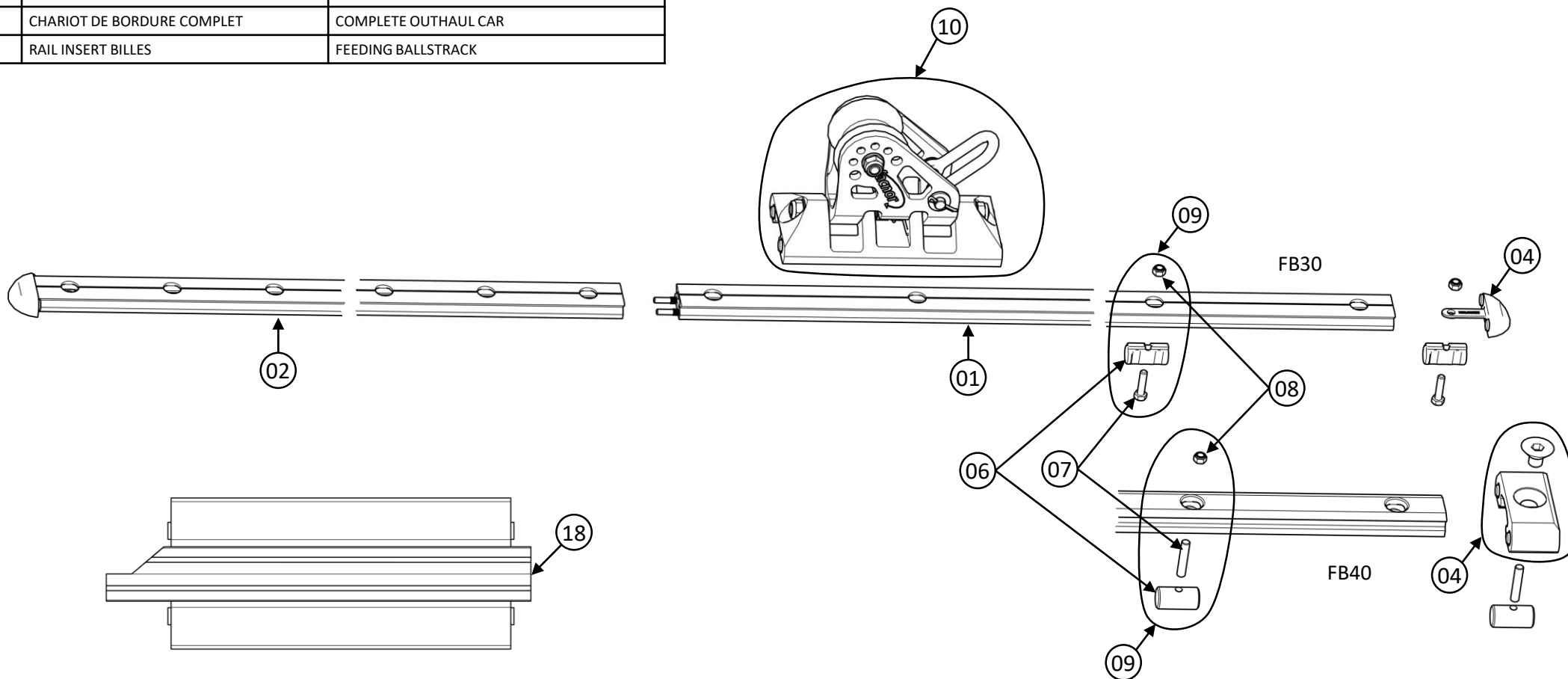
Rep	Reference	Description	
03	51065105240	S30(C25RA) CF105HALYARD SWIVEL	
04	33070105000	CF105 HOUSING TOP CAP	
05	51091105200	TOP HOUSING SECT CF105	
06	51091105100	STANDARD HOUSING SECT.CF105	
07	51091105300	LOW HOUSING SECT.CF105	
08	51091031200	S30 TOP FURLING TUBE	
09	51091031100	STD 1.7M S30 SECTION CF80/105	COMPLETE
10	51091031300	LOW CF80/105 1.45M IN. SECTION	
11	51081030030	SHEAVE BOX BR30	
12	51041100220	SET OF 2 ROLLER GUIDES	

CF105 SPARE PART LIST
EXPLOD DRAWG# CF12/13/14/17/18

Rep	Reference	Description	
13	51041100050	SET OF STOPPERS/ROLLER GUIDE	
14	51087105000	RC COMPLETE TRACK+CAR KIT	CF80/105
15	51088105000	KB COMPLETE TRACK+CAR KIT	CF80/105
16	51054201700	CF TRACK 1.70M+SLIDER+SCREW	
17	51053200200	RC BALL BEARING CAR CF80/105	
18	51055100500	COMPLETE END STOP RC BOOM	
19	51053201200	KB SHEAVE CAR TRAVELER CF80/10	
20	51055200500	END STOP WITH PEBBLES	
22	51082201500	BACK SHEAVE KB65/105	
23	51094015161	SLUG Nø1+SPCL SCREW 5X16+NUT	TRACK/HSG SCTIONS FIXINC
23	51094025161	SLUG Nø2+SPCL SCREW 5X16+NUT	TRACK/HSG SCTIONS FIXINC
23	51094035180	SLUG Nø3+SCREW 5X18+NUT M5	TRACK/HSG SCTIONS FIXINC
23	51095105200	D10 SS SLUG+5X20SCREW+M5NUT	TRACK/HSG SCTIONS FIXINC
23	51095105201	SS D10 SLUG+SPCIL SCREW+NUT	TRACK/HSG SCTIONS FIXINC
23	51095145250	SLUG D14+SCREW 5X25+NUT	TRACK FIXING KIT
23	51095145251	SET 1xD14 SLUG+1xSCREW+1xBOLT	HALF THREAD/TRACK FIXATI
24	51009000100	KB/RC SLUG D08MM+SCREW	BOOM FIXATION KIT
24	51009000200	KB/RC SLUG D10MM+SCREW	BOOM FIXATION KIT
24	51009000300	KB/RC SLUG D14MM+SCREW	BOOM FIXATION KIT
24	51009000400	KB/RC SLUG No 1+SCREW	BOOM FIXATION KIT
24	51009000500	KB/RC SLUG No 2+SCREW	BOOM FIXATION KIT
24	51009000600	KB/RC SLUG No 3+ SCREW	BOOM FIXATION KIT
25	29050000010	GREY STICKER D025	
26	28095001030	GUIDE PINS CF70/105	
27	27090430010	PLASTIC STRIP/MAINS.FURLER	
28	09070030040	TOP CAP S30 + PIN	
NA	14098016305	BATCH 50 TORLON BALLS 06.35MM	(1/4"INCH)

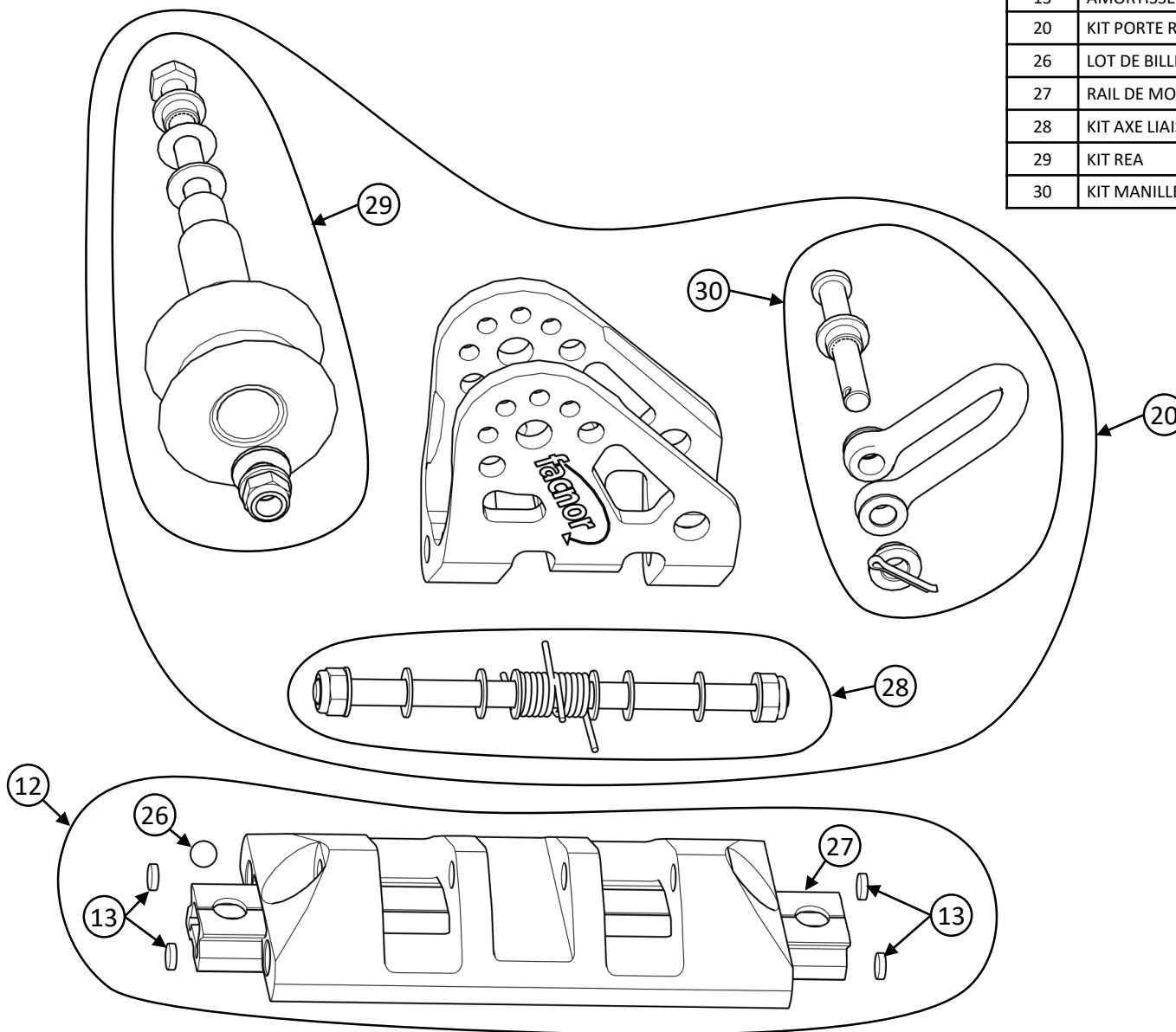
RAILS/CHARIOT DE BORDURE FB COMPLET – PIECES DETACHEES / TRACKS/OUTHAUL CAR FB COMPLETE – SPARE PARTS

REP	DESIGNATION	DESCRIPTION
01	FB30 : RAIL SEUL FB 40 : RAIL + PIGES	FB30 : TRACK ONLY FB 40 : TRACK + PINS
02	RAIL RENFORCE SEUL	REINFORCED TRACK ONLY
04	BUTEE DE RAIL	TRACK END STOP
06	PLATINE	SLUG
07	VIS	SCREW
08	ECROU FREIN	NYLSTOP NUT
09	KIT FIXATION	SLUG + SCREW + NUT
10	CHARIOT DE BORDURE COMPLET	COMPLETE OUTHAUL CAR
18	RAIL INSERT BILLES	FEEDING BALLSTRACK



CHARIOT DE BORDURE FB – PIÈCES DÉTACHÉES / OUTHAUL CAR FB – SPARE PARTS

REP	DESIGNATION	DESCRIPTION
12	CHARIOT DE BORDURE	OUTHAUL CAR
13	AMORTISSEUR x4	RUBBER CAR PROTECTION
20	KIT PORTE REA COMPLET	COMPLETE SHEAVE HOLDER KIT
26	LOT DE BILLES (FB30 : x80, FB40 : x100)	BATCH OF BALLS (FB30 : x80, FB40 : x100)
27	RAIL DE MONTAGE	FEEDER TRACK
28	KIT AXE LIAISON	LINK PIN KIT
29	KIT REA	SHEAVE KIT
30	KIT MANILLE	SHACKLE KIT



FB30 SPARE PART LIST
ECLATE FB01&FB02

Rep	Reference	Description	
01	54011000001	FR25X15 2M STD TRCK NO SLG+PIN	F10/20/30 FACSLIDE+
01+9	54011140000	TRACK 2.00M+SLUGS D14MM	F10/20/30 FACSLIDE +
02	54011001000	FR25X15 2MDB DLTRCK NO SLG	FACSLIDE + (=F30 TOP TRACI
02+9	54011141000	TRACK 2.00M+SLUGS D14MM	DOUBLE DRILLINGS FACSLIIC
04	54061010620	ML TOP/LOW TRACK END STOP FAC+	FR25X15 TRACK-F10/20/30+F
06	25200010008	D12 M5-6 STAINLESS STEEL SLUG	
06	25200010035	D14 M5 STAINLESS STEEL SLUG	
07	20002050200	5X20 HH SCREW + NUT	
08	20005050000	NYLSTOP NUT M5	
09	51095145250	SLUG D14+SCREW 5X25+NUT	TRACK FIXING KIT
09	51331001250	SLUG D12+SCREW 5X25+NUT	TRACK FIXING KIT
09	51331001260	SLUG D12+SCREW 5X25+NUT	TRACK FIXING KIT
10	54020400810	OUTHAUL CAR FB30 SHEAVE	
12	54050601605	SINGLE CAR L160MM+RUBBER	
13	54059000010	BAG OF 4 RUBBER CAR PROTECTION	(1 CAR)
18	54019000635	FEEDING TRACK HL BALLS D6,35	FACSLIDE+
20	51320300010	FB30 SHEAVE HOLDER KIT	FB30 BOOM KIT
26	51326300020	BATCH 80 TORLON BALLS 0.7.94MM	(5/16"INCH) FB30 BOOM KIT
27	26054400242	FEEDER TRACK	
28	51328300015	LINK PIN KIT FB30	FB30 BOOM KIT
29	51329304000	SHEAVE KIT FB30 & FB40	FB30 & FB40 BOOM KIT
30	51330304000	SHACKLE KIT FB30 & FB40	FB30 & FB40 BOOM KIT

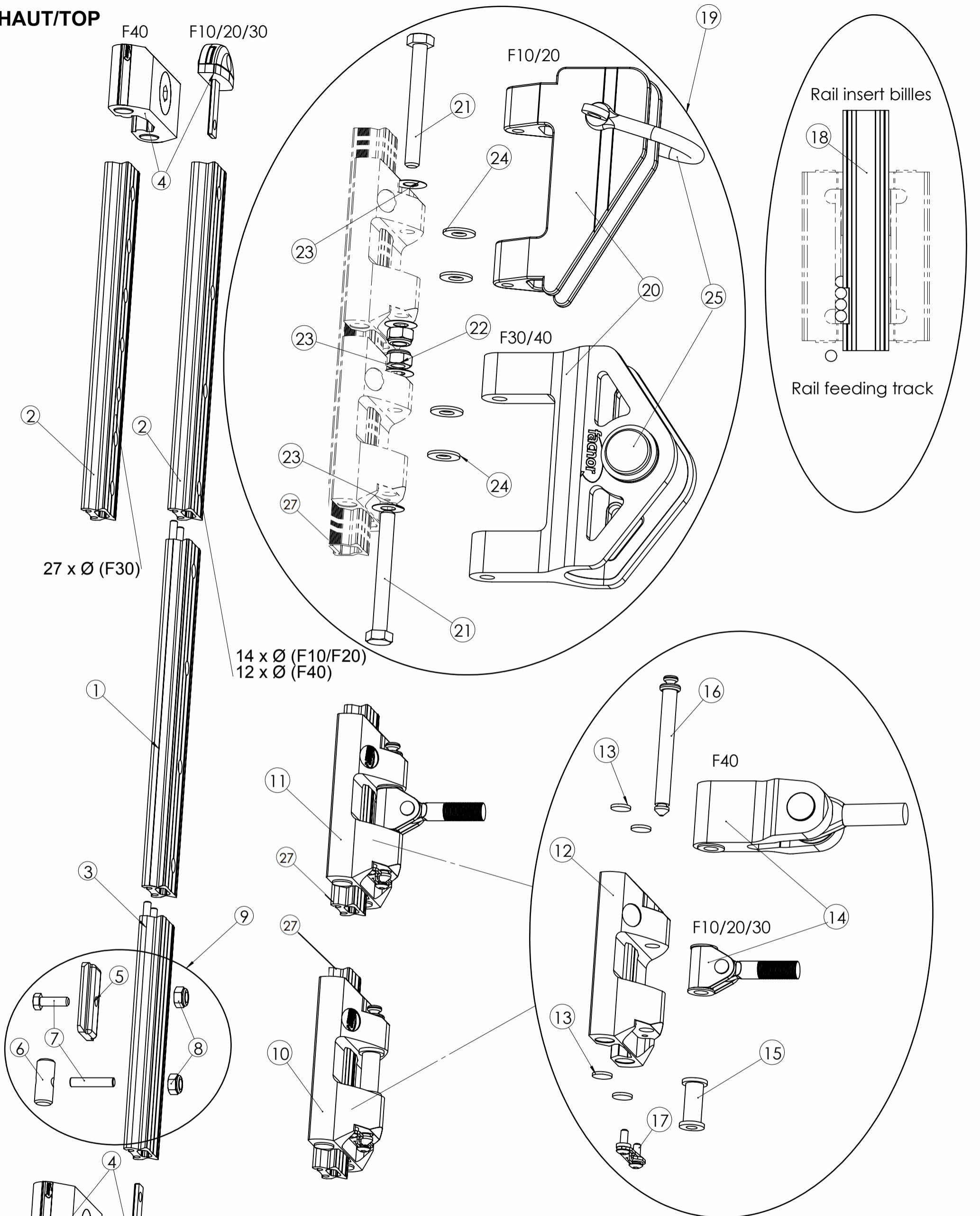
FB40 SPARE PART LIST
ECLATE FB01&FB02

Rep	Reference	Description	
01	54008000171	F40 1.7M TRACK NO SLUGS	
01+9	54008160170	F40 1.7M TRACK D16MM SLUG	
02	54008000172	F40 1.7MDB DLTRCK NO SLG	
02+9	54008000175	F40 1.7M DLTRCK D16MM SLUG	
04	54060041006	TOP/LOW TRACK END STOP F40	
06	25200010008	D12 M5-6 STAINLESS STEEL SLUG	
06	25200010035	D14 M5 STAINLESS STEEL SLUG	
07	20002050200	5X20 HH SCREW + NUT	
08	20005050000	NYLSTOP NUT M5	
09	51095145250	SLUG D14+SCREW 5X25+NUT	TRACK FIXING KIT
09	51331001250	SLUG D12+SCREW 5X25+NUT	TRACK FIXING KIT
09	51331001260	SLUG D12+SCREW 5X25+NUT	TRACK FIXING KIT

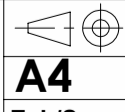
FB40 SPARE PART LIST
ECLATE FB01&FB02

Rep	Reference	Description	
10	54020400820	OUTHAUL CAR FB40 SHEAVE	
12	54050600601	SINGLE CAR L200MM+RUBBER	
13	54059000010	BAG OF 4 RUBBER CAR PROTECTION (1 CAR)	
18	54019000794	FEEDING TRACK HL BALLS D7.94 FACSLIDE+	
20	51320400010	FB40 SHEAVE HOLDER KIT FB40 BOOM KIT	
26	51326400025	BATCH 100 TORLON BALLS 07.94MM (5/16"INCH) FB40 BOOM KIT	
27	26054400211	FEEDER TRACK FT40+ CAR	
28	51328400015	LINK PIN KIT FB40 FB40 BOOM KIT	
29	51329304000	SHEAVE KIT FB30 & FB40 FB30 & FB40 BOOM KIT	
30	51330304000	SHACKLE KIT FB30 & FB40 FB30 & FB40 BOOM KIT	

HAUT/TOP

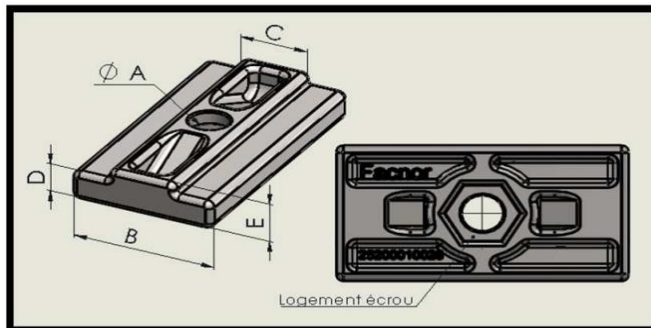


BAS/BOTTOM

Ind Vers.	Date	Auteur Author	Vérificat° Approved	Description de la modification: Change description:
FAC+01 FACSLIDE+ SPARE PARTS				 A4 Ech/Sc:
PIECE DETACHEES FACSLIDE+				
Date: 31/03/2009		Tol. Gén.:		Etude/project 31032009YD01
Auteur: Author: Y. Doucet		Matière: Material:		Prod°:
Appr.:		Finition/Finishing		Indice/Version:
Ce plan est la propriété intellectuelle de FACNOR SAS. Il ne peut être divulgué à des tiers sans notre autorisation écrite, ni servir à d'autres fabrications. This drawing strictly belongs to FACNOR SAS. It cannot be disclosed without our written authorization nor can it be used for other manufactures.				

FACNOR S.A.S
 Parc d'Activités - B.P. 222
 F-50550 St-VAAST-LA-HOUGUE
 tel. +33 (0)2 33 88 50 22
 fax. +33 (0)2 33 23 14 27

DESCRIPTIF ET DIMENSIONS DES PLATINES DE FIXATION
INFORMATION AND DIMENSIONS OF THE SLUGS AND SCREWS

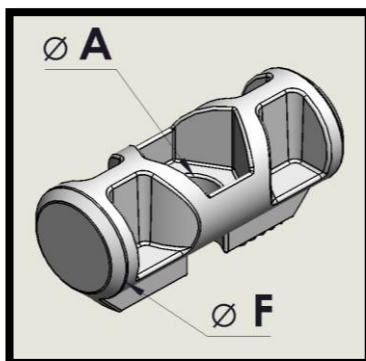


Platine n° 1 / Slug n° 1
Platine n° 2 / Slug n° 2
Platine n° 3 / Slug n° 3

25200010026	25200010028	25200010030	25200010032
Platine n° 1	Platine n° 2	Platine n° 3	Platine n° 3
Slug n° 1	Slug n° 2	Slug n° 3	Slug n° 3

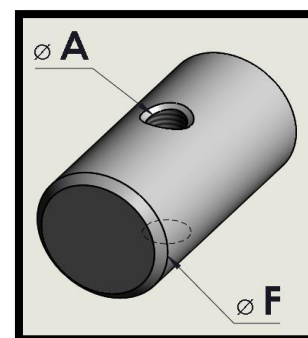
Modèle	F10-20-30			F40
A	M5/5 mm			M6/6 mm
B	16 mm	19 mm	23,9 mm	23,9 mm
C	9 mm	9 mm	12,5 mm	12,5 mm
D	4 mm	4,3 mm	4,8 mm	4,8 mm
E	6,3 mm	6 mm	7,8 mm	7,8 mm

Platine ronde / INOX



Platine Ø 10 mm / Ø 10 mm slug
Platine Ø 14 mm / Ø 14 mm slug
(vis THC / HH screw)

Platine ronde / ALUMINIUM



Platine Ø 8 mm / Ø 8 mm slug
Platine Ø 16 mm / Ø 16 mm slug
(vis sans tête / screw without head)

28051005080	25200010033	25200010035	28051006160
Platine Ø 8	Platine Ø 10	Platine Ø 14	Platine Ø 16
Ø 8 mm slug	Ø 10 mm slug	Ø 14 mm slug	Ø 16 mm slug

Modèle	F10-20-30			F40
A	M5			M6
F	10 mm	10 mm	14 mm	16 mm

F10+ FACSLIDE SPARE PART LIST
EXPLOD DRAWING# FAC+01/CF12

Rep	Reference	Description	
01	54011000001	FR25X15 2M STD TRCK NO SLG+PIN	F10/20/30 FACSLIDE+
01+9	54011010000	TRACK 2.00M+SLUGS N°1/16MM	F10/20/30 FACSLIDE +
01+9	54011020000	TRACK 2.00M+SLUGS N°2/19MM	F10/20/30 FACSLIDE +
01+9	54011030000	TRACK 2.00M+SLUGS N°3/23MM	F10/20/30 FACSLIDE +
01+9	54011100000	TRACK 2.00M+SLUGS Ø10MM	F10/20/30 FACSLIDE +
01+9	54011100005	TRACK 2.00M+SLUGS D10MM	MACH.SCREW F10/20/30 FAC
01+9	54011140000	TRACK 2.00M+SLUGS D14MM	F10/20/30 FACSLIDE +
01+9	54011140005	TRACK 2.00M+SLUGS D14MM	MACH.SCREW F10/20/30 FAC
02	54011000000	FR25X15 2M TRACK NO SLUGS	FACSLIDE+
02	54011001000	FR25X15 2MDB DLTRCK NO SLG	FACSLIDE + (=F30 TOP TRACI
02+9	54011011000	TRACK 2.00M+SLUGS N°1/16MM	DOUBLE DRILLINGS FACSLIIC
02+9	54011021000	TRACK 2.00M+SLUGS N°2/19MM	DOUBLE DRILLINGS FACSLIIC
02+9	54011031000	TRACK 2.00M+SLUGS N°3/23MM	DOUBLE DRILLINGS FACSLIIC
02+9	54011101000	TRACK 2.00M+SLUGS D10MM	DOUBLE DRILLINGS FACSLIIC
02+9	54011101005	TRACK 2.00M+SLUGS D10MM DB DRL	MACH.SCREW F10/20/30 FAC
02+9	54011140005	TRACK 2.00M+SLUGS D14MM	MACH.SCREW F10/20/30 FAC
02+9	54011141000	TRACK 2.00M+SLUGS D14MM	DOUBLE DRILLINGS FACSLIIC
03	54013000000	DOOR TRACK 35CM WITHOUT SLUG	F10-20-30 FACSLIDE+
03+9	54016010000	LOADING 0.35M TRACK+SLUG1	F10-20-30 FACSLIDE+
03+9	54016020000	LOADING 0.35M TRACK+SLUG2	F10-20-30 FACSLIDE+
03+9	54016030000	LOADING 0.35M TRACK+SLUG3	F10-20-30 FACSLIDE+
03+9	54016100000	LOADING 0.35M TRACK+SLUGD10	F10-20-30 FACSLIDE+
03+9	54016100001	LOADING 0.35M TRACK+SLUGD10TH	PARTIAL THREAD F1-30 FAC:
03+9	54016140000	LOADING 0.35M TRACK+SLUGD14MM	F10-20-30 FACSLIDE+
04	54061010620	ML TOP/LOW TRACK END STOP FAC+	FR25X15 TRACK-F10/20/30+F
05	25200010026	S-S SLUG No 1 M5 - 16MM WIDE	
05	25200010028	S-S SLUG No 2 M5 - 19MM WIDE	
05	25200010030	SINGLE FLAT SLUG: SS PL3 M5	
06	25200010033	D10 STAINLESS STEEL SLUG	
06	25200010035	D14 M5 STAINLESS STEEL SLUG	
06	51095080000	D08 M5 5/16 SINGLE ROUND SLUG	
07	20002050160	(3/16x5/8) 5X16 HH SCREW	
07	20002050180	5X18MM HH SLG SCREW	
07	20002050200	5X20 HH SCREW + NUT	
07	20009052000	HSS SLUG SCREW 5X20(3/16-3/4")	HEXAGON SOCKET SET
07	20009052500	HSS SLUG SCREW 5X25(3/16 - 1")	HEXAGON SOCKET SET
07	20009052501	HSG SLUG SPECIAL SCREW 5X25	(3/16 -1") HEXAGON SOCKET
07	20052052002	05*20 S-S SCREW/FOR D10MM SLUG	
07	20059050200	HSS SLUG SPECIAL SCREW 5X25	(3/16-3/4") HEX. SOCKET SET
08	20005050000	NYLSTOP NUT M5	
09	51094015161	SLUG Nø1+SPCL SCREW 5X16+NUT	TRACK/HSG SCTIONS FIXINC

F10+ FACSLIDE SPARE PART LIST
EXPLOD DRAWING# FAC+01/CF12

Rep	Reference	Description	
09	51094025161	SLUG Nø2+SPCL SCREW 5X16+NUT	TRACK/HSG SCTIONS FIXINC
09	51094035180	SLUG Nø3+SCREW 5X18+NUT M5	TRACK/HSG SCTIONS FIXINC
09	51095105200	D10 SS SLUG+5X20SCREW+M5NUT	TRACK/HSG SCTIONS FIXINC
09	51095105201	SS D10 SLUG+SPCIL SCREW+NUT	TRACK/HSG SCTIONS FIXINC
09	51095145250	SLUG D14+SCREW 5X25+NUT	TRACK FIXING KIT
09	51095145251	SET 1xD14 SLUG+1xSCREW+1xBOLT	HALF THREAD/TRACK FIXATI
10	54031100600	COMPLETE INTERMEDT CAR FI10+HL	FACSLIDE +
11	54021100600	COMPLETE BATTEN CAR FL10+HLM10	FACSLIDE +
12	54051100601	SINGLE CAR L064MM+RUBBER	INTER-FI10 / 34 BALLS+
12	54051200601	SINGLE CAR L074MM+RUBBER	FT10 FL10 FI20 / 40 BALLS+
13	54059000010	BAG OF 4 RUBBER CAR PROTECTION	(1 CAR)
14	54075241005	TOGGLE 24MM06+M10 THREADED EYE	GVL09+(FL10/FL20)
15	28026271006	PLASTIC SLEEVE/INTER CAR 06X27	F110-20
16	28084060443	SINGLE PIN D6 LG 44.8	CAR FI10
16	28084060503	SINGLE PIN D6 LG 50.65	CAR FL10-FI20
17	54058000001	SPRING DEVICE FI+FL 10+20	FOR FACSLIDE+ CAR
18	54019000635	FEEDING TRACK HL BALLS D6,35	FACSLIDE+
19	54041100600	COMPLETE HEADBOARD CAR FT10+HL	FACSLIDE +
20	54057120600	HEADBRD CAR JAW+SHACKLEF10/F20	
21	20001060580	SINGLE SCREW FOR FACSLIDE CAR	FT10+ AND OLD FI20 / FL10
22	20005060000	SINGLE NYLSTOP NUT M6	
23	33018621001	GLASS FIBER RING D0.62	
24	33018621001	GLASS FIBER RING D0.62	
25	31001270800	LARGE FORGED SHACKLE 8MM	
26	14098016305	BATCH 50 TORLON BALLS 06.35MM	(1/4"INCH)
27	26054282001	FEEDER TRACK FT10+ CARS	

F20+ FACSLIDE SPARE PART LIST
EXPLOD DRAWING# FAC+01/CF12

Rep	Reference	Description	
01	54011000001	FR25X15 2M STD TRCK NO SLG+PIN	F 10/20/30 FACSLIDE+
01+9	54011010000	TRACK 2.00M+SLUGS N°1/16MM	F 10/20/30 FACSLIDE +
01+9	54011020000	TRACK 2.00M+SLUGS N°2/19MM	F 10/20/30 FACSLIDE +
01+9	54011030000	TRACK 2.00M+SLUGS N°3/23MM	F 10/20/30 FACSLIDE +
01+9	54011100000	TRACK 2.00M+SLUGS Ø10MM	F 10/20/30 FACSLIDE +
01+9	54011100005	TRACK 2.00M+SLUGS D10MM	MACH.SCREW F10/20/30 FAC
01+9	54011140000	TRACK 2.00M+SLUGS D14MM	F 10/20/30 FACSLIDE +
01+9	54011140005	TRACK 2.00M+SLUGS D14MM	MACH.SCREW F10/20/30 FAC

F20+ FACSLIDE SPARE PART LIST
EXPLOD DRAWING# FAC+01/CF12

Rep	Reference	Description	
02	54011000000	FR25X15 2M TRACK NO SLUGS	FACSLIDE+
02	54011001000	FR25X15 2MDB DLTRCK NO SLG	FACSLIDE + (=F30 TOP TRACI
02+9	54011011000	TRACK 2.00M+SLUGS N°1/16MM	DOUBLE DRILLINGS FACSLIIC
02+9	54011021000	TRACK 2.00M+SLUGS N°2/19MM	DOUBLE DRILLINGS FACSLIIC
02+9	54011031000	TRACK 2.00M+SLUGS N°3/23MM	DOUBLE DRILLINGS FACSLIIC
02+9	54011101000	TRACK 2.00M+SLUGS D10MM	DOUBLE DRILLINGS FACSLIIC
02+9	54011101005	TRACK 2.00M+SLUGS D10MM DB DRL	MACH.SCREW F10/20/30 FAC
02+9	54011140005	TRACK 2.00M+SLUGS D14MM	MACH.SCREW F10/20/30 FAC
02+9	54011141000	TRACK 2.00M+SLUGS D14MM	DOUBLE DRILLINGS FACSLIIC
03	54013000000	DOOR TRACK 35CM WITHOUT SLUG	F10-20-30 FACSLIDE+
03+9	54016010000	LOADING 0.35M TRACK+SLUG1	F10-20-30 FACSLIDE+
03+9	54016020000	LOADING 0.35M TRACK+SLUG2	F10-20-30 FACSLIDE+
03+9	54016030000	LOADING 0.35M TRACK+SLUG3	F10-20-30 FACSLIDE+
03+9	54016100000	LOADING 0.35M TRACK+SLUGD10	F10-20-30 FACSLIDE+
03+9	54016100001	LOADING 0.35M TRACK+SLUGD10TH	PARTIAL THREAD F1-30 FAC:
03+9	54016140000	LOADING 0.35M TRACK+SLUGD14MM	F10-20-30 FACSLIDE+
04	54061010620	ML TOP/LOW TRACK END STOP FAC+	FR25X15 TRACK-F10/20/30+F
05	25200010026	S-S SLUG No 1 M5 - 16MM WIDE	
05	25200010028	S-S SLUG No 2 M5 - 19MM WIDE	
05	25200010030	SINGLE FLAT SLUG: SS PL3 M5	
06	25200010033	D10 STAINLESS STEEL SLUG	
06	25200010035	D14 M5 STAINLESS STEEL SLUG	
06	51095080000	D08 M5 5/16 SINGLE ROUND SLUG	
07	20002050160	(3/16x5/8) 5X16 HH SCREW	
07	20002050180	5X18MM HH SLG SCREW	
07	20002050200	5X20 HH SCREW + NUT	
07	20009052000	HSS SLUG SCREW 5X20(3/16-3/4")	HEXAGON SOCKET SET
07	20009052500	HSS SLUG SCREW 5X25(3/16 - 1")	HEXAGON SOCKET SET
07	20009052501	HSG SLUG SPECIAL SCREW 5X25	(3/16 -1") HEXAGON SOCKET
07	20052052002	05*20 S-S SCREW/FOR D10MM SLUG	
07	20059050200	HSS SLUG SPECIAL SCREW 5X25	(3/16-3/4") HEX. SOCKET SET
08	20005050000	NYLSTOP NUT M5	
09	51094015161	SLUG Nø1+SPCL SCREW 5X16+NUT	TRACK/HSG SCTIONS FIXINC
09	51094025161	SLUG Nø2+SPCL SCREW 5X16+NUT	TRACK/HSG SCTIONS FIXINC
09	51094035180	SLUG Nø3+SCREW 5X18+NUT M5	TRACK/HSG SCTIONS FIXINC
09	51095105200	D10 SS SLUG+5X20SCREW+M5NUT	TRACK/HSG SCTIONS FIXINC
09	51095105201	SS D10 SLUG+SPCIL SCREW+NUT	TRACK/HSG SCTIONS FIXINC
09	51095145250	SLUG D14+SCREW 5X25+NUT	TRACK FIXING KIT
09	51095145251	SET 1xD14 SLUG+1xSCREW+1xBOLT	HALF THREAD/TRACK FIXATI
10	54031200600	COMPLETE INTERMEDT CAR FI20+HL	FACSLIDE +
11	54021200600	COMPLETE BATTEN CAR FL20+HLM10	FACSLIDE +

F20+ FACSLIDE SPARE PART LIST
EXPLOD DRAWING# FAC+01/CF12

Rep	Reference	Description	
12	54051200601	SINGLE CAR L074MM+RUBBER	FT10 FL10 FI20 / 40 BALLS+
12	54051300601	SINGLE CAR L084MM+RUBBER	M10-FT20 FL20+ / 46 BALLS
13	54059000010	BAG OF 4 RUBBER CAR PROTECTION	(1 CAR)
14	54075241005	TOGGLE 24MM06+M10 THREADED EYE	GVL09+(FL10/FL20)
15	28026271006	PLASTIC SLEEVE/INTER CAR 06X27	FI10-20
16	28084060503	SINGLE PIN D6 LG 50.65	CAR FL10-FI20
16	28084060603	SINGLE PIN D6 LG 60	CAR FL20
17	54058000001	SPRING DEVICE FI+FL 10+20	FOR FACSLIDE+ CAR
18	54019000635	FEEDING TRACK HL BALLS D6,35	FACSLIDE+
19	54041200600	COMPLETE HEADBOARD CAR FT20+HL	FACSLIDE +
20	54057120600	HEADBRD CAR JAW+SHACKLEF10/F20	
21	20001060670	SCREW FOR FT20 HEADBD CAR	FT20
22	20005060000	SINGLE NYLSTOP NUT M6	
23	33018821401	RING FOR FACLSIDE CAR	
24	33018821401	RING FOR FACLSIDE CAR	
25	31001270800	LARGE FORGED SHACKLE 8MM	
26	14098016305	BATCH 50 TORLON BALLS 06.35MM	(1/4"INCH)
27	26054282501	FEEDER TRACK FT20+30+ CARS	

F30+ FACSLIDE SPARE PART LIST
EXPLOD DRAWING# FAC+01/CF12


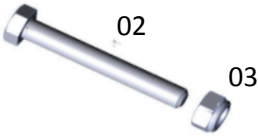



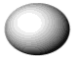


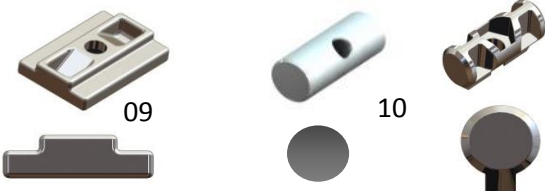
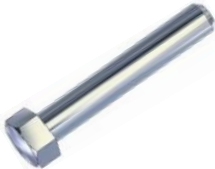

Rep	Reference	Description	
01	54011000001	FR25X15 2M STD TRCK NO SLG+PIN	F 10/20/30 FACSLIDE+
01+9	54011010000	TRACK 2.00M+SLUGS N°1/16MM	F 10/20/30 FACSLIDE +
01+9	54011020000	TRACK 2.00M+SLUGS N°2/19MM	F 10/20/30 FACSLIDE +
01+9	54011030000	TRACK 2.00M+SLUGS N°3/23MM	F 10/20/30 FACSLIDE +
01+9	54011100000	TRACK 2.00M+SLUGS Ø10MM	F 10/20/30 FACSLIDE +
01+9	54011100005	TRACK 2.00M+SLUGS D10MM	MACH.SCREW F10/20/30 FAC
01+9	54011140000	TRACK 2.00M+SLUGS D14MM	F 10/20/30 FACSLIDE +
01+9	54011140005	TRACK 2.00M+SLUGS D14MM	MACH.SCREW F10/20/30 FAC
02	54011001000	FR25X15 2MDB DLTRCK NO SLG	FACSLIDE + (=F30 TOP TRACI
03	54013000000	DOOR TRACK 35CM WITHOUT SLUG	F 10-20-30 FACSLIDE+
03+9	54016010000	LOADING 0.35M TRACK+SLUG1	F 10-20-30 FACSLIDE+
03+9	54016020000	LOADING 0.35M TRACK+SLUG2	F 10-20-30 FACSLIDE+
03+9	54016030000	LOADING 0.35M TRACK+SLUG3	F 10-20-30 FACSLIDE+
03+9	54016100000	LOADING 0.35M TRACK+SLUGD10	F 10-20-30 FACSLIDE+
03+9	54016100001	LOADING 0.35M TRACK+SLUGD10TH	PARTIAL THREAD F1-30 FAC:
03+9	54016140000	LOADING 0.35M TRACK+SLUGD14MM	F 10-20-30 FACSLIDE+

F30+ FACSLIDE SPARE PART LIST
EXPLOD DRAWING# FAC+01/CF12

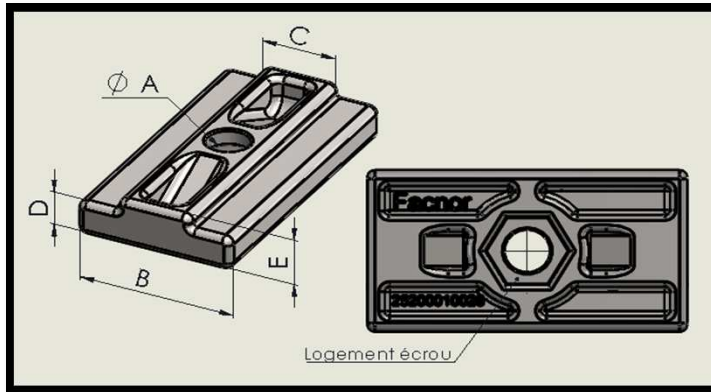
Rep	Reference	Description	
04	54061010620	ML TOP/LOW TRACK END STOP FAC+ FR25X15 TRACK-F10/20/30+F	
05	25200010026	S-S SLUG No 1 M5 - 16MM WIDE	
05	25200010028	S-S SLUG No 2 M5 - 19MM WIDE	
05	25200010030	SINGLE FLAT SLUG: SS PL3 M5	
06	25200010033	D10 STAINLESS STEEL SLUG	
06	25200010035	D14 M5 STAINLESS STEEL SLUG	
06	51095080000	D08 M5 5/16 SINGLE ROUND SLUG	
07	20002050160	(3/16x5/8) 5X16 HH SCREW	
07	20002050180	5X18MM HH SLG SCREW	
07	20002050200	5X20 HH SCREW + NUT	
07	20009052000	HSS SLUG SCREW 5X20(3/16-3/4")	HEXAGON SOCKET SET
07	20009052500	HSS SLUG SCREW 5X25(3/16 - 1")	HEXAGON SOCKET SET
07	20009052501	HSG SLUG SPECIAL SCREW 5X25 (3/16 -1")	HEXAGON SOCKET
07	20052052002	05*20 S-S SCREW/FOR D10MM SLUG	
07	20059050200	HSS SLUG SPECIAL SCREW 5X25 (3/16-3/4")	HEX. SOCKET SET
08	20005050000	NYLSTOP NUT M5	
09	51094015161	SLUG Nø1+SPCL SCREW 5X16+NUT	TRACK/HSG SCTIONS FIXINC
09	51094025161	SLUG Nø2+SPCL SCREW 5X16+NUT	TRACK/HSG SCTIONS FIXINC
09	51094035180	SLUG Nø3+SCREW 5X18+NUT M5	TRACK/HSG SCTIONS FIXINC
09	51095105200	D10 SS SLUG+5X20SCREW+M5NUT	TRACK/HSG SCTIONS FIXINC
09	51095105201	SS D10 SLUG+SPCIL SCREW+NUT	TRACK/HSG SCTIONS FIXINC
09	51095145250	SLUG D14+SCREW 5X25+NUT	TRACK FIXING KIT
09	51095145251	SET 1xD14 SLUG+1xSCREW+1xBOLT	HALF THREAD/TRACK FIXATI
10	54031300600	COMPLETE INTERMEDT CAR FI30+HL	FACSLIDE +
11	54021300600	COMPLETE BATTEN CAR FL30+HLM10	FACSLIDE +
12	54051400601	SINGLE CAR L094MM+RUBBER	FT30 FL30 Fi30+ / 40 BALLS
13	54059000010	BAG OF 4 RUBBER CAR PROTECTION	(1 CAR)
14	54077241005	TOGGLE 24MM08+M10 THREADED EYE	GVL09+(FL30)
15	28026271008	PLASTIC SLEEVE/INTER CAR 08X27	FI30
16	28084080653	SINGLE PIN D8 LG 65.8	CAR FL30
17	54058000003	SPRING DEVICE FI+FL 30+40	FOR FACSLIDE+ CAR
18	54019000635	FEEDING TRACK HL BALLS D6,35	FACSLIDE+
19	54041300600	COMPLETE HEADBOARD CAR FT30+HL	FACSLIDE +
20	54057300600	HEADBOARD CAR JAW+PIN F30	
21	20001080760	SINGLE SCREW FOR HEADBOARD CAR	FT30
22	20005060000	SINGLE NYLSTOP NUT M6	
23	33018821401	RING FOR FACLSIDE CAR	
24	33018821401	RING FOR FACLSIDE CAR	
25	54056300600	COMPLETE F30 HEADBOARD CAR PIN	
26	14098017905	BATCH 50 TORLON BALLS 07.94MM (5/16"INCH)	
27	26054282501	FEEDER TRACK FT20+30+ CARS	

F40+ FACSLIDE SPARE PART LIST
EXPLOD DRAWING# FAC+01/CF12

Rep	Reference	Description	
01	54008000171	F40 1.7M TRACK NO SLUGS	
01+9	54008030170	F40 TRACK 1.70M+SLUGS Nø3	
02	54008000171	F40 1.7M TRACK NO SLUGS	
03	54016160000	LOADING 0.35M TRACK+SLUGD16F40	F40 FACSLIDE+
03	54016230000	LOADING 0.35M TRACK+SLUGNø3F40	F40 FACSLIDE+
04	54060041006	TOP/LOW TRACK END STOP F40	
05	25200010032	SINGLE FLAT SLUG: SS PL3 M6	
07	20002060200	6X20(1/4"X3/4")HH SLG SCREW	
07	20009063000	HSS SLUG SCREW 6X30(1/4 - 1"3/	(1/4 - 1"3/16) HEX. SOCKET SI
08	20005060000	SINGLE NYLSTOP NUT M6	
09	51094036200	SLUG Nø3+SCREW 6X20+NUT M6	TRACK FIXING KIT
10	54031400600	COMPLETE INTERMEDT CAR FI40+HL	FACSLIDE +
11	54021400600	COMPLETE BATTEN CAR FL40+HLM12	FACSLIDE +
12	54051500601	SINGLE CAR L140MM+RUBBER	FT40 FL40+ / 62 BALLS
12	54051800610	SINGLE CAR L085MM+RUBBER	INTER-FI40+ / 34 BALLS
13	29050000080	RUBBER ROUND PATCH D8	F07-10-20-30-40
14	54079411008	TOGGLE F40 & M12 DUPLEX EYE	EQUIPED
15	28026271009	PLASTIC SLEEVE/INTER CAR FI40	FI40
16	28085080453	SINGLE PIN D8 LG 45	CAR FI40
16	28085081003	SINGLE PIN D8 LG 100	CAR FL40
17	54058000003	SPRING DEVICE FI+FL 30+40	FOR FACSLIDE+ CAR
18	54019000794	FEEDING TRACK HL BALLS D7.94	FACSLIDE+
19	54041400600	COMPLETE HEADBOARD CAR FT40+HL	FACSLIDE +
20	54057400600	HEADBOARD CAR JAW+PIN F40	
21	20001081201	08*111 S-S SCREW	
22	20005080000	SINGLE NYLSTOP NUT M8	
22	20005100000	STAINLESS STEEL M10 SAFETY NUT	
23	33018821401	RING FOR FACLSIDE CAR	
24	33018821401	RING FOR FACLSIDE CAR	
25	54056400600	COMPLETE F40 HEADBOARD CAR PIN	
26	14098017905	BATCH 50 TORLON BALLS 07.94MM	(5/16"INCH)
27	26054400211	FEEDER TRACK FT40+ CAR	

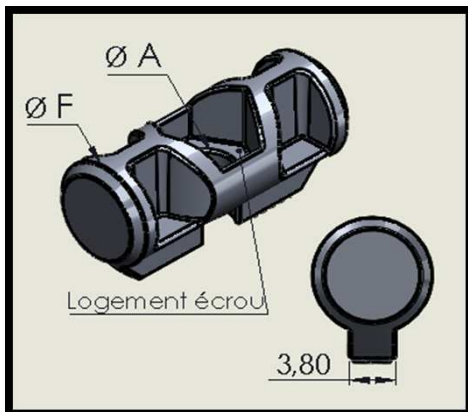
REP	IMAGE / PICTURE	DESCRIPTION
1		Axe rapide chariot / Quick release pin for car
2+3		Vis 02 + écrou 03 remplaçant l'axe rapide / Screw 02 + bolt 03 replacing quick release pin
4		Bague sangle / Plastic sleeve
5		Rondelle plastique / Plastic washer
6		Cardan / Toggle
Nbre de billes / chariot Nber of balls / car	FT 07 (84) - FT 10 (80) - FT 20 (92) - FT30 (84) - FT40 (124) FL 07 (42) - FL 10 (40) - FL 20 (46) - FL30 (42) - Fi 07 (42) - Fi 10 (34) - Fi 20 (40) - Fi 30 (42) -	
7	 Delrin - blanc / white  Torlon - marron / brown	Billes / Balls
8		Rondelle amort / Rubber car protection
Nbre de platines / rail Nber of slugs / track	5x platines sur rail 30 cm / 5x slugs on rail de 30cm track 12 platines sur rail 1,7m/ 12x slugs on 1.7m track 14x platines sur rail 2 m/ 14x slugs on 2m track	
9+10		Platine plate 09 et ronde 10 / Slug flat 09 and round 10
11		Vis platine / Screw for slug
12		Écrou frein et bague taraudée / Nylstop nut and special nut facslide

DESCRIPTIF ET DIMENSIONS DES PLATINES DE FIXATION
INFORMATION AND DIMENSIONS OF THE SLUGS AND SCREWS

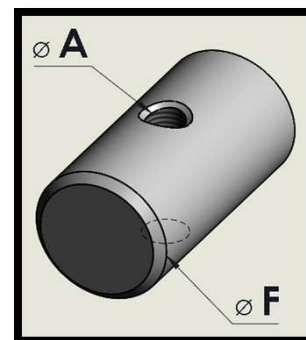


Platine n° 1 / Slug n° 1
Platine n° 2 / Slug n° 2
Platine n° 3 / Slug n° 3

	25200010026	25200010028	25200010030	25200010032
	Platine n° 1	Platine n° 2	Platine n° 3	Platine n° 3
	Slug n° 1	Slug n° 2	Slug n° 3	Slug n° 3
A	5 mm	5 mm	5 mm	6 mm
B	16 mm	19 mm	23,9 mm	23,9 mm
C	9 mm	9 mm	12,5 mm	12,5 mm
D	4 mm	4,3 mm	4,8 mm	4,8 mm
E	6,3 mm	6 mm	7,8 mm	7,8 mm



Platine Ø 10 mm / Ø 10 mm slug



Platine Ø 8 mm / Ø 8 mm slug
Platine Ø 14 mm / Ø 14 mm slug
Platine Ø 16 mm / Ø 16 mm slug

	28051005080	25200010033	28051005140	28051006160
	Platine Ø 8	Platine Ø 10	Platine Ø 14	Platine Ø 16
	Ø 8 mm slug	Ø 10 mm slug	Ø 14 mm slug	Ø 16 mm slug
A	M5	M5	M5	M6
F	8 mm	10 mm	14 mm	16 mm

F10 OLD FACSLIDE SPARE LIST
EXPLOD DRAWING# OLD FAC01/CF12

Rep	Reference	Description	
02	20001060480	06*48 S-S SCREW OLD FI 10	
02	20001060580	SINGLE SCREW FOR FACSLIDE CAR	FT10+ AND OLD FI20 / FL10
03	20005060000	SINGLE NYLSTOP NUT M6	
04	28026271006	PLASTIC SLEEVE/INTER CAR 06X27	F110-20
05	33015100600	INNER WASHER O6 KB	F07-10-20
06	54075241005	TOGGLE 24MM06+M10 THREADED EYE	GVL09+(FL10/FL20)
07	14098016305	BATCH 50 TORLON BALLS 06.35MM	(1/4"INCH)
08	54059000010	BAG OF 4 RUBBER CAR PROTECTION	(1 CAR)
09	25200010026	S-S SLUG No 1 M5 - 16MM WIDE	
09	25200010028	S-S SLUG No 2 M5 - 19MM WIDE	
09	25200010030	SINGLE FLAT SLUG: SS PL3 M5	
10	25200010033	D10 STAINLESS STEEL SLUG	
10	25200010035	D14 M5 STAINLESS STEEL SLUG	
10	51095080000	D08 M5 5/16 SINGLE ROUND SLUG	
11	20002050180	5X18MM HH SLG SCREW	
11	20009052500	HSS SLUG SCREW 5X25(3/16 - 1")	HEXAGON SOCKET SET
11	20009052501	HSG SLUG SPECIAL SCREW 5X25	(3/16 -1") HEXAGON SOCKET
12	28080050600	SPECIAL NUT FACSLIDE M5	
NA	54010000000	FACSLIDE TRACK WITHOUT SLIDER	
NA	54010010000	TRACK 1.70M+SLUGS Nø1	
NA	54010020000	TRACK 1,70M+SLUGS Nø2	
NA	54010030000	TRACK 1,70M+SLUGS Nø3	
NA	54010080000	TRACK 1.70M+SLUGS Ø8MM	
NA	54010100000	TRACK 1,70M+SLUGS Ø10MM	
NA	54010160000	TRACK 1.70M+ SLUGSØ16MM	

F10 OLD FACSLIDE SPARE LIST
EXPLOD DRAWING# OLD FAC01/CF12

Rep	Reference	Description	Unit Retail Price ex-VAT
01	28081060780	S/S QUICK PIN D6 L78	(FL20)
02	20001060580	SINGLE SCREW FOR FACSLIDE CAR	FT10+ AND OLD FI20 / FL10
02	20001060700	SS BOLT 6X70 OLD FL20 CAR	
03	20005060000	SINGLE NYLSTOP NUT M6	
04	28026271006	PLASTIC SLEEVE/INTER CAR 06X27	F110-20
05	33015100600	INNER WASHER O6 KB	F07-10-20
06	54075241005	TOGGLE 24MM06+M10 THREADED EYE	GVL09+(FL10/FL20)
07	14098016305	BATCH 50 TORLON BALLS 06.35MM	(1/4"INCH)
08	54059000010	BAG OF 4 RUBBER CAR PROTECTION	(1 CAR)

F10 OLD FACSLIDE SPARE LIST
EXPLOD DRAWING# OLD FAC01/CF12

Rep	Reference	Description	
09	25200010026	S-S SLUG No 1 M5 - 16MM WIDE	
09	25200010028	S-S SLUG No 2 M5 - 19MM WIDE	
09	25200010030	SINGLE FLAT SLUG: SS PL3 M5	
10	25200010033	D10 STAINLESS STEEL SLUG	
10	25200010035	D14 M5 STAINLESS STEEL SLUG	
10	51095080000	D08 M5 5/16 SINGLE ROUND SLUG	
11	20002050180	5X18MM HH SLG SCREW	
11	20009052500	HSS SLUG SCREW 5X25(3/16 - 1")	HEXAGON SOCKET SET
11	20009052501	HSG SLUG SPECIAL SCREW 5X25	(3/16 -1") HEXAGON SOCKET
12	28080050600	SPECIAL NUT FACSLIDE M5	
NA	54010000000	FACSLIDE TRACK WITHOUT SLIDER	
NA	54010010000	TRACK 1.70M+SLUGS Nø1	
NA	54010020000	TRACK 1,70M+SLUGS Nø2	
NA	54010030000	TRACK 1,70M+SLUGS Nø3	
NA	54010080000	TRACK 1.70M+SLUGS Ø8MM	
NA	54010100000	TRACK 1,70M+SLUGS Ø10MM	
NA	54010160000	TRACK 1.70M+ SLUGSØ16MM	

F30 OLD FACSLIDE SPARE LIST
EXPLOD DRAWING# OLD FAC01/CF12

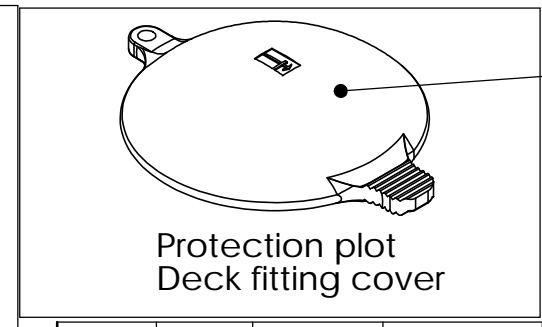
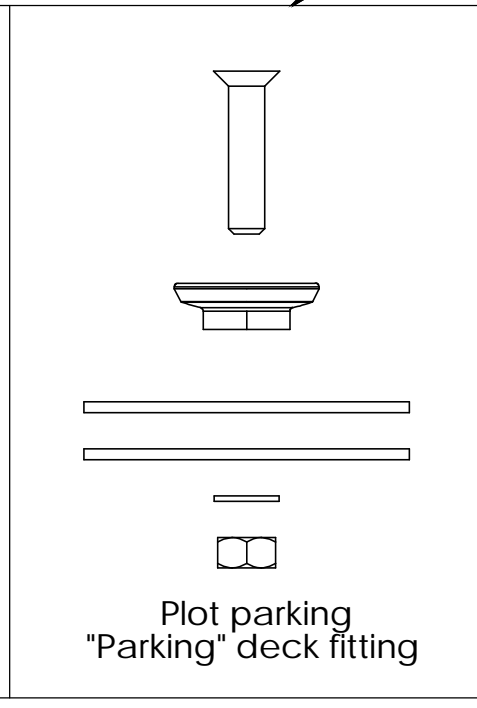
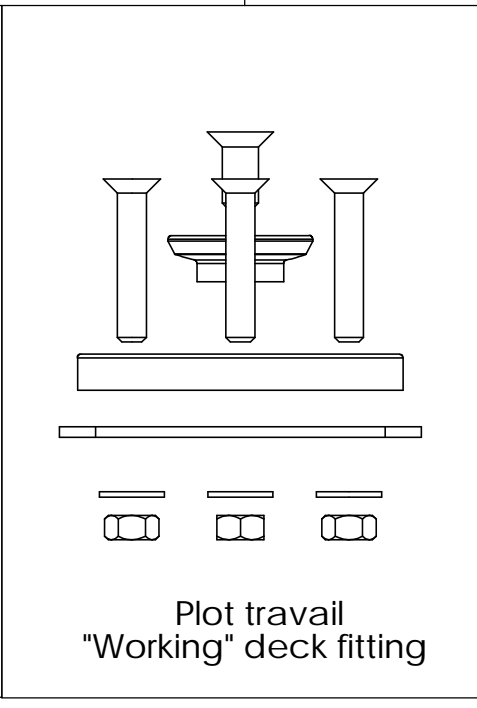
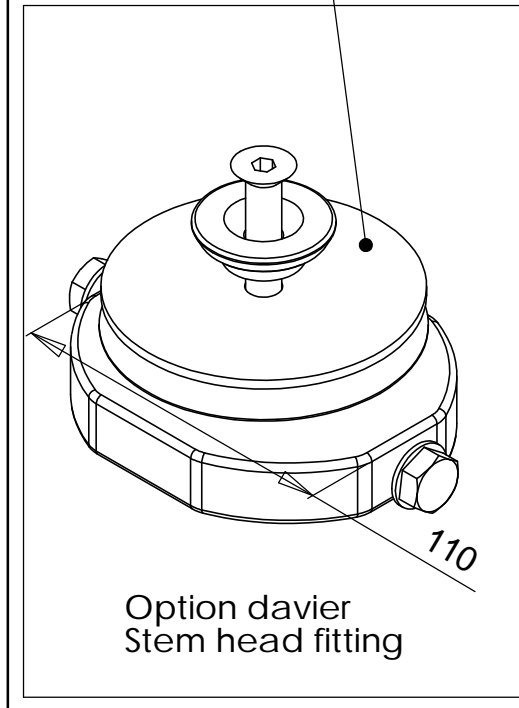
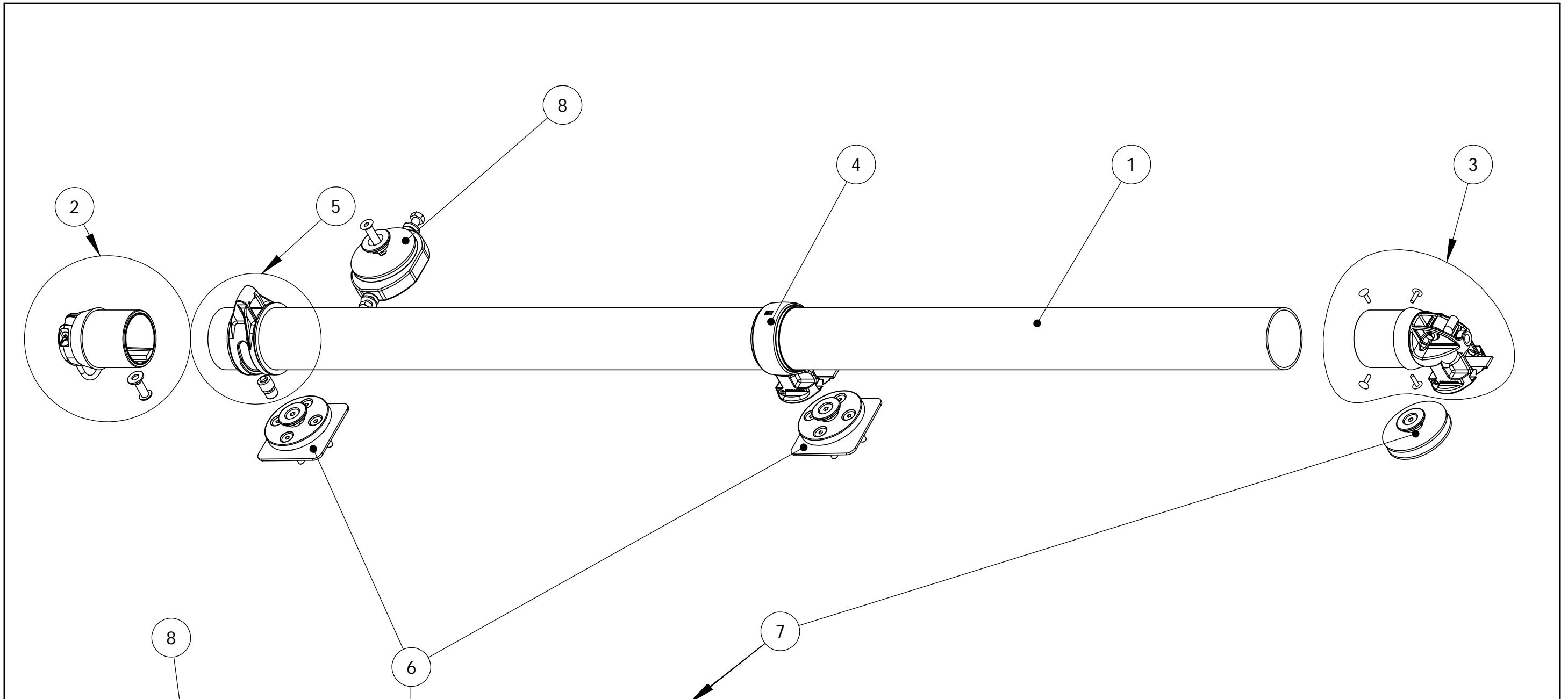
Rep	Reference	Description	
01	28081080760	S/S QUICK PIN D8 L76	(FL30)
02	20001080700	08*70 SCREW OLD FT30/FL30	
03	20005080000	SINGLE NYLSTOP NUT M8	
04	28026271008	PLASTIC SLEEVE/INTER CAR 08X27	FI30
05	33015100800	INNER WASHER 08 KB	FT30-FT40
06	54077241005	TOGGLE 24MM08+M10 THREADED EYE	GVL09+(FL30)
07	14098017905	BATCH 50 TORLON BALLS 07.94MM	(5/16"INCH)
08	54059000010	BAG OF 4 RUBBER CAR PROTECTION	(1 CAR)
09	25200010026	S-S SLUG No 1 M5 - 16MM WIDE	
09	25200010028	S-S SLUG No 2 M5 - 19MM WIDE	
09	25200010030	SINGLE FLAT SLUG: SS PL3 M5	
10	25200010033	D10 STAINLESS STEEL SLUG	
10	25200010035	D14 M5 STAINLESS STEEL SLUG	
10	28080050600	SPECIAL NUT FACSLIDE M5	
10	51095080000	D08 M5 5/16 SINGLE ROUND SLUG	
11	20002050180	5X18MM HH SLG SCREW	
11	20009052500	HSS SLUG SCREW 5X25(3/16 - 1")	HEXAGON SOCKET SET

F30 OLD FACSLIDE SPARE LIST
EXPLOD DRAWING# OLD FAC01/CF12

Rep	Reference	Description	
11	20009052501	HSG SLUG SPECIAL SCREW 5X25 (3/16 -1") HEXAGON SOCKET	
12	28080050600	SPECIAL NUT FACSLIDE M5	
NA	54010000000	FACSLIDE TRACK WITHOUT SLIDER	
NA	54010001000	TRACK 1.7M. DOUBLE DRILLING OLD F10/20/30	
NA	54010010000	TRACK 1.70M+SLUGS Nø1	
NA	54010011000	TRACK 1.7M. DBLE DRILLING+SG#1 OLD F10/20/30	
NA	54010020000	TRACK 1,70M+SLUGS Nø2	
NA	54010021000	TRACK 1.7M. DBLE DRILLING+SG#1 OLD F10/20/30	
NA	54010030000	TRACK 1,70M+SLUGS Nø3	
NA	54010031000	TRACK 1.7M. DBLE DRILLING+SG#3 OLD F10/20/30	
NA	54010100000	TRACK 1,70M+SLUGS Ø10MM	
NA	54010101000	TRACK1.7M. DBLE DRILLING+SGD10 OLD F10/20/30	
NA	54010160000	TRACK 1.70M+ SLUGSØ16MM	

F40 OLD FACSLIDE SPARE LIST
EXPLOD DRAWING# OLD FAC01/CF12

Rep	Reference	Description	
02	20001080560	08*56 S-S SCREW	
02	20001081201	08*111 S-S SCREW	
03	20005080000	SINGLE NYLSTOP NUT M8	
04	28026271009	PLASTIC SLEEVE/INTER CAR FI40 FI40	
05	33015100800	INNER WASHER O8 KB FT30-FT40	
06	54079401208	TOGGLE F40 08M12 THREADED EYE LG90-GVL09+(FL40)	
07	14098017905	BATCH 50 TORLON BALLS 07.94MM (5/16"INCH)	
08	20002060200	6X20(1/4"X3/4")HH SLG SCREW	
09	25200010032	SINGLE FLAT SLUG: SS PL3 M6	
11	20002060200	6X20(1/4"X3/4")HH SLG SCREW	
11	20009063000	HSS SLUG SCREW 6X30(1/4 - 1"3/ (1/4 - 1"3/16) HEX. SOCKET SI	
12	20005060000	SINGLE NYLSTOP NUT M6	



Ind Vers.	Date	Auteur Author	Vérificat° Approved	Description de la modification: Change description:
BDH 01 Eclaté bout-dehors Bowsprit exploded drawing				A3
				Ech/Sc:1:5
Date:12/07/2010	Tol. Gén.:+/-0.14	Etude/project		
Auteur:J.Chollet	Matière:	Prod°:		
Appr.:	Finition/Finishing	Indice/Version:		

RDM SPARCRAFT
Rue Blaise Pascal - ZI de PERIGNY
F-17185 PERIGNY CEDEX
tel. +33 (0)5 46 45 90 45
fax. +33 (0)5 46 45 36 59

SPARCRAFT

Ce plan est la propriété intellectuelle de Sparcraft SAS. Il ne peut être divulgué à des tiers sans notre autorisation écrite, ni servir à d'autres fabrications.
This drawing strictly belongs to Sparcraft SAS. It cannot be disclosed without our written authorization nor can it be used for other manufactures.

BDH070 SPARE PART LIST
EXPLOD DRAWING# BDH 01

Rep	Reference	Description	
01	26025070011	1600MM LONG D70MM SECTION	STANDARD LENGTH
01	26025070012	BOWSPRIT D70MM 1600-TO-2400	OVERALL LENGTH TO BE SP
01	26025070013	24-3200MM LONG D70MM SECTION	OVERALL LENGTH TO BE SP
02	31000200010	D70 BOWSPRIT FRONT END FITTING	.
03	31000300010	D70 BOWSPRIT BACK END FITTING	.
04	31000400010	D70 BOWSPRIT CENTRAL FIXATION	RING
05	31000107010	D70 FURLER FITTING	FX2500
06	31000110015	WORKING DECK FITTING	BOWSPRIT DECK FTG/STEM
07	31000110020	PARKING DECK FITTING	BOWSPRIT DECK FTG/STEM
08	31000110025	STEM HD FTG (BOWSPRIT S.H.F.)	STEM HD WIDTH 90 TO +110I
08	31000120025	STEM HD FTG (BOWSPRIT S.H.F.)	STEM HD WIDTH 50 TO 90MM
09	33031000001	DECK FITTING COVER	

BDH080 SPARE PART LIST
EXPLOD DRAWING# BDH 01

Rep	Reference	Description	
01	26025080011	1800MM LONG D80MM SECTION	STANDARD LENGTH
01	26025080012	18-2600MM LONG D80MM SECTION	OVERALL LENGTH TO BE SP
01	26025080013	26-3400MM LONG D80MM SECTION	OVERALL LENGTH TO BE SP
02	31000200020	D80 BOWSPRIT FRONT END FITTING	.
03	31000300020	D80 BOWSPRIT BACK END FITTING	.
04	31000400020	D80 BOWSPRIT CENTRAL FIXATION	RING
05	31000108010	D80 FURLER FITTING	FX4500
06	31000110015	WORKING DECK FITTING	BOWSPRIT DECK FTG/STEM
07	31000110020	PARKING DECK FITTING	BOWSPRIT DECK FTG/STEM
08	31000110025	STEM HD FTG (BOWSPRIT S.H.F.)	STEM HD WIDTH 90 TO +110I
08	31000120025	STEM HD FTG (BOWSPRIT S.H.F.)	STEM HD WIDTH 50 TO 90MM
09	33031000001	DECK FITTING COVER	

BDH090 SPARE PART LIST
EXPLOD DRAWING# BDH 01

Rep	Reference	Description	
01	26025090011	1900MM LONG D90MM SECTION	STANDARD LENGTH
01	26025090012	19-3200MM LONG D90MM SECTION	OVERALL LENGTH TO BE SP
01	26025090013	32-4500MM LONG D90MM SECTION	OVERALL LENGTH TO BE SP

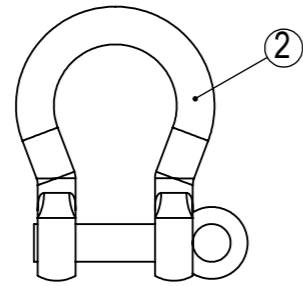
BDH090 SPARE PART LIST
EXPLOD DRAWING# BDH 01

Rep	Reference	Description	
02	31000200030	D90 BOWSPRIT FRONT END FITTING	
03	31000300030	D90 BOWSPRIT BACK END FITTING	
04	31000400030	D90 BOWSPRIT CENTRAL FIXATION	RING
05	31000109010	D90 FURLER FITTING	FX7000 WITH SNAP SHACKLE
06	31000110015	WORKING DECK FITTING	BOWSPRIT DECK FTG/STEM
07	31000110020	PARKING DECK FITTING	BOWSPRIT DECK FTG/STEM
08	31000110025	STEM HD FTG (BOWSPRIT S.H.F.)	STEM HD WIDTH 90 TO +110I
08	31000120025	STEM HD FTG (BOWSPRIT S.H.F.)	STEM HD WIDTH 50 TO 90MM
09	33031000001	DECK FITTING COVER	

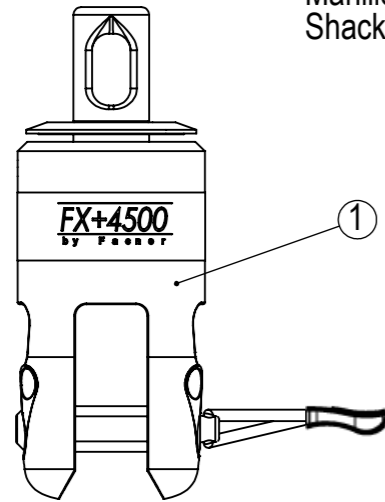
BDH100 SPARE PART LIST
EXPLOD DRAWING# BDH 01

Rep	Reference	Description	
01	26025100011	2000MM LONG D100MM SECTION	STANDARD LENGTH
01	26025100012	2000-3250 BOWSPRIT D100SECTION	OVERALL LENGTH TO BE SP
01	26025100013	3250-4500MM LG D100MM SECTION	OVERALL LENGTH TO BE SP
02	31000200040	D10 BOWSPRIT FRONT END FITTING	
03	31000300040	D100 BOWSPRIT BACK END FITTING	
04	31000400040	D100 BOWSPRIT CENTRAL FIXATION	RING
05	31000110010	D100 FURLER FITTING	FX7000 WITH SNAPSHOTACKLE
06	31000110015	WORKING DECK FITTING	BOWSPRIT DECK FTG/STEM
07	31000110020	PARKING DECK FITTING	BOWSPRIT DECK FTG/STEM
08	31000110025	STEM HD FTG (BOWSPRIT S.H.F.)	STEM HD WIDTH 90 TO +110I
08	31000120025	STEM HD FTG (BOWSPRIT S.H.F.)	STEM HD WIDTH 50 TO 90MM
09	33031000001	DECK FITTING COVER	

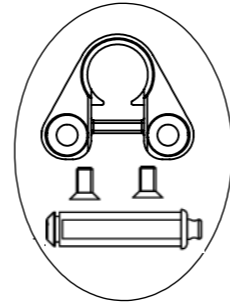
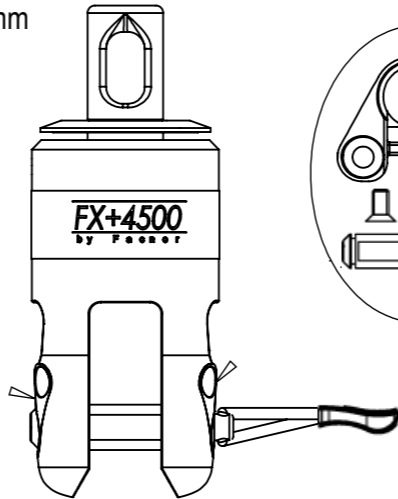
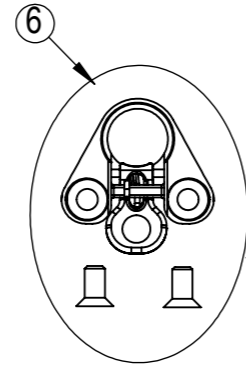
EMMAGASINEURS FX+ - PIECES DETACHEES / FX+ SPARE PARTS



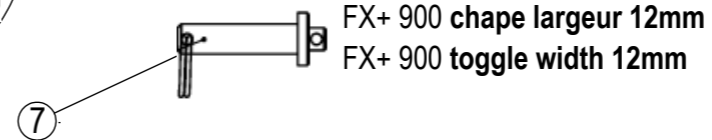
Manille
Shackle



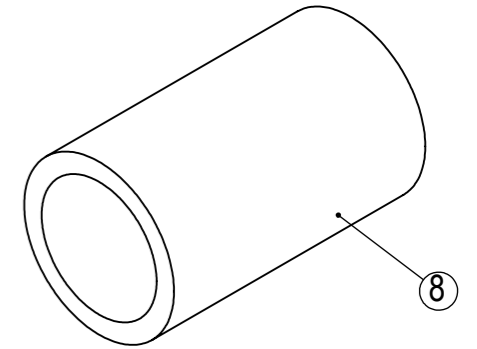
FX+ 900 chape largeur 15mm
FX+ 900 toggle width 15mm
FX+ 1500 FX+ 2500
FX+ 4500 FX+ 7000



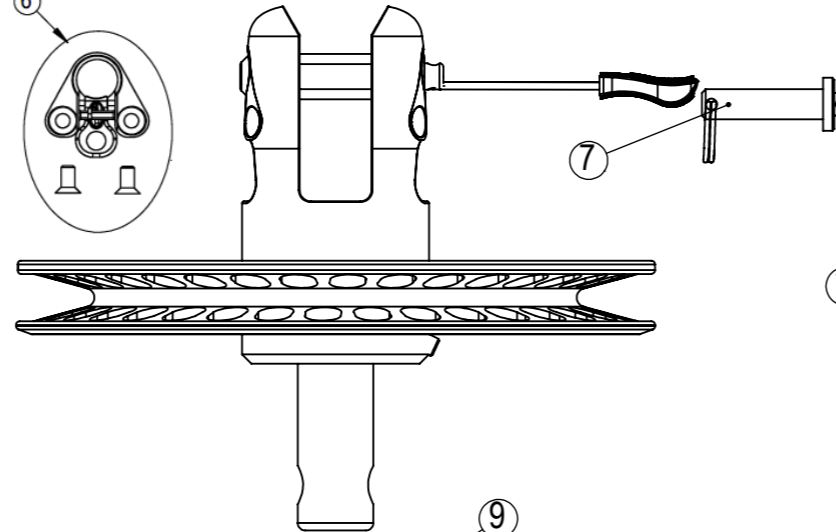
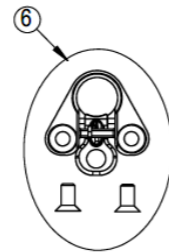
FX+ 900 chape largeur 15mm
FX+ 900 toggle width 15mm
FX+ 1500 FX+ 2500
FX+ 4500 FX+ 7000



FX+ 900 chape largeur 12mm
FX+ 900 toggle width 12mm

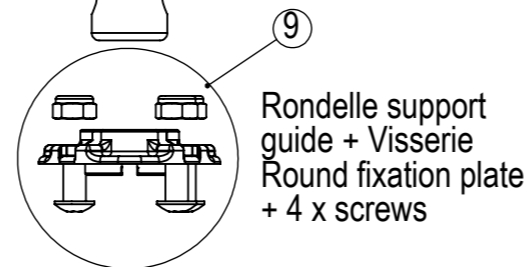
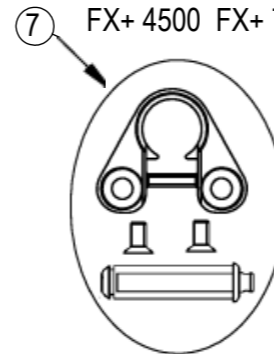


House de protection émerillon néoprène
Swivel cover protection

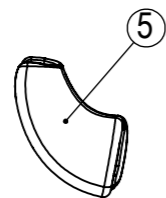
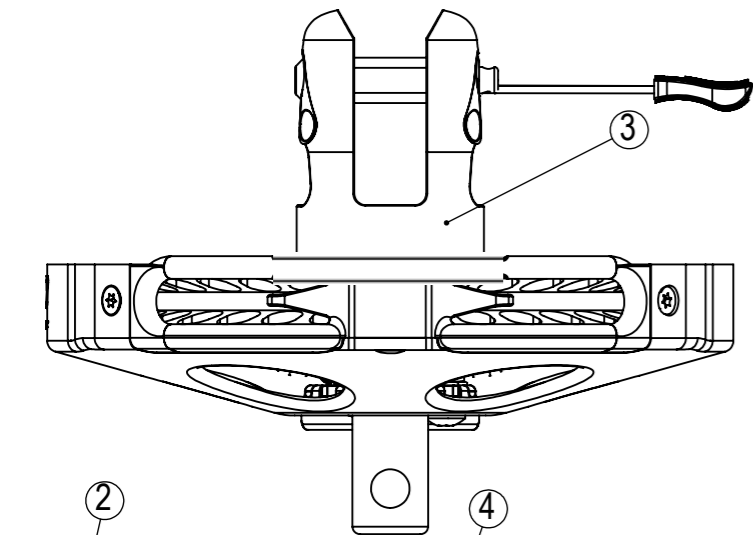
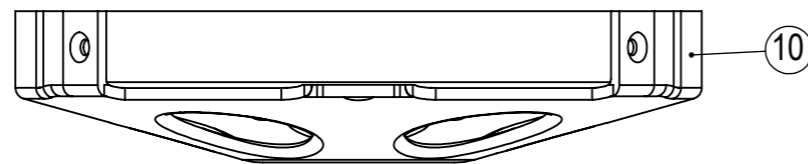


FX+ 900 chape largeur 12mm
FX+ 900 toggle width 12mm

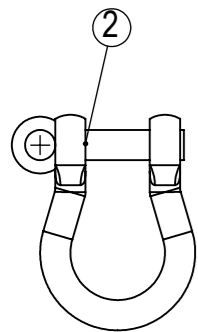
FX+ 900 chape largeur 15mm
FX+ 900 toggle width 15mm
FX+ 1500 FX+ 2500
FX+ 4500 FX+ 7000



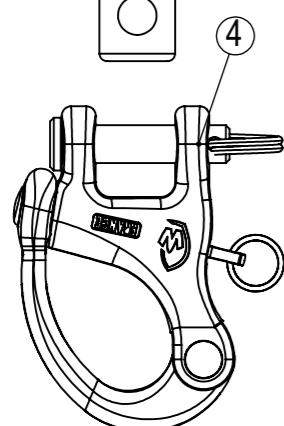
Rondelle support
guide + Visserie
Round fixation plate
+ 4 x screws



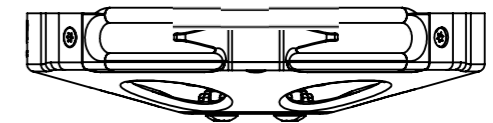
Accessoire
Mousqueton



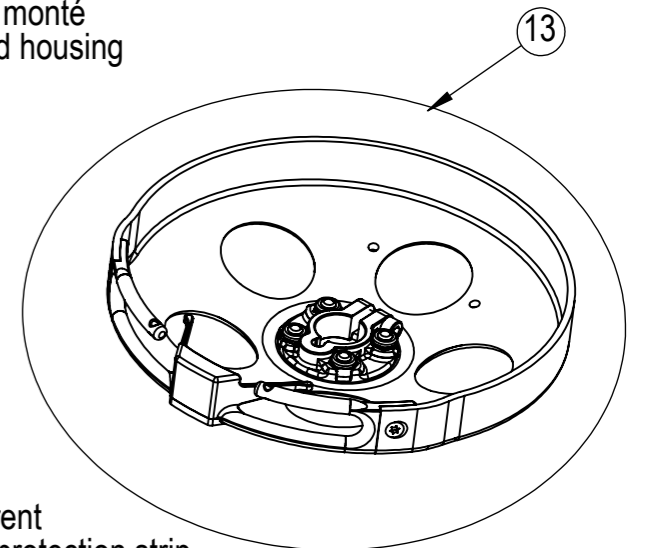
Manille
Shackle



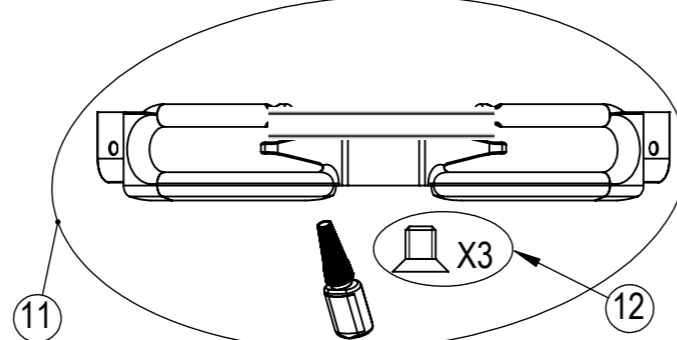
Mousqueton
Snap shackle



Carenage monté
Assembled housing



14
Film transparent
Transparent protection strip



FX+01

MAJ 03/02.17

FX+0900 SPARE PART LIST
EXPLOD DRAWING# FX+01

Rep	Reference	Description	
01	43420101530	FX+900-1500 SWIVEL	ATTACH. NOT INCL.
02	31001250600	BOW SHACKLE D06MM	
03	43420200935	CONTINUOUS LINE DRUM FX+900	ATTACH. NOT INCL.
04	31003271200	SNAP SHACKLE 52MM	REF 2293
06	43420501510	QUICK PIN TRIGGER MECHANISM	FX+0900&1500
07	43120500900	JAW PIN +SAFETY RING FX/FX+900	EM+PC FX/FX+900
07	43420501525	PIN EQUIPED WITH BUSHING	FX+0900&F+1500
08	29050010090	FX+900 SWIVEL COVER	
08	29050010150	FX+1500 SWIVEL COVER	
09	43420500930	GUIDE WASHER+SCREWS FX+900	FX+900
10	25301009000	CARBON GUIDE FX+900	
11	43422309000	FX+900 CLOSED FURL.LINE LEAD	D5+3SCREWS+INSTRUCTION
12	43422009000	3 SCREWS FRL GUID.LEADFX+900	
13	43420300930	EQUIPPED CARBON GUIDE FX+900	
14	43420730005	STRIP BAG PU 390MMX15MM	CRBN HOUSING FX+900/FX+

FX+1500 SPARE PART LIST
EXPLOD DRAWING# FX+01

Rep	Reference	Description	
01	43420101530	FX+900-1500 SWIVEL	ATTACH. NOT INCL.
02	31001260600	HIL DEE SHACKLE - D06MM	SHORT
03	43420201530	CONTINUOUS LINE DRUM FX+1500	ATTACH. NOT INCL.
03b	43420201540	CONTINUOUS LINE DRUM FX+1500	ATTACH. NOT INCL.
04	31003271200	SNAP SHACKLE 52MM	REF 2293
06	43420501510	QUICK PIN TRIGGER MECHANISM	FX+0900&1500
07	43420501525	PIN EQUIPED WITH BUSHING	FX+0900&F+1500
08	29050010150	FX+1500 SWIVEL COVER	
09	43420501530	GUIDE WASHER+SCREWS FX+1500	FX+1500
10	25301015000	CARBON GUIDE FX+1500	
11	43422315000	FX+1500 CLOSED FURL.LINE LEAD	D5+3SCREWS+INSTRUCTION
12	43422015000	3 SCREWS FRL GUID.LEADFX+1500	
13	43420301530	EQUIPPED CARBON GUIDE FX+1500	
14	43420730005	STRIP BAG PU 390MMX15MM	CRBN HOUSING FX+900/FX+
NA	24000102110	DOUBLE FAIRLEAD+SCRATCH+CARD	FOR D25MM STANCHION REI
NA	24000102130	DOUBLE FAIRLEAD+SCRATCH+CARD	FOR D28MM STANCHION REI
NA	24011008000	LUFF ROPE LRS D8(9) PER METER	AFX 1500

FX+2500 SPARE PART LIST
EXPLOD DRAWING# FX+01

Rep	Reference	Description	
01	43420102530	FX+ 2500 SWIVEL	ATTACH. NOT INCL.
02	31001280800	HIL BOW SHACKLE - D08MM	
03	43420202530	CONTINUOUS LINE DRUM FX+2500	ATTACH. NOT INCL.
03b	43420202540	CONTINUOUS LINE DRUM FX+2500	ATTACH. NOT INCL.
04	31003271600	SNAP SHACKLE 70MM	REF 2295
06	43420502510	QUICK PIN TRIGGER MECHANISM	FX+2500
07	43420502525	PIN EQUIPED WITH BUSHING	FX+2500
08	29050010250	FX+2500 SWIVEL COVER	
09	43420502530	GUIDE WASHER+SCREWS FX+2500	FX+2500
10	25301025000	CARBON GUIDE FX+2500	
11	43422325000	FX+2500 CLOSED FURL.LINE LEAD	D6+3SCREWS+INSTRUCTION
12	43422025000	3 SCREWS FRL GUID.LEADFX+2500	
13	43420302530	EQUIPPED CARBON GUIDE FX+2500	COMPLETE
14	43420730010	STRIP BAG PU 670MMX15MM	CARBON HOUSING FX+2500-
NA	24000102110	DOUBLE FAIRLEAD+SCRATCH+CARD	FOR D25MM STANCHION REI
NA	24000102130	DOUBLE FAIRLEAD+SCRATCH+CARD	FOR D28MM STANCHION REI
NA	24011011000	LUFF ROPE LRS D11MM PER METER	

FX+4500 SPARE PART LIST
EXPLOD DRAWING# FX+01

Rep	Reference	Description	
01	43420104530	FX+ 4500 SWIVEL	ATTACH. NOT INCL.
02	31001281000	HIL BOW SHACKLE - D10MM	
03	43420204530	CONTINUOUS LINE DRUM FX+4500	ATTACH. NOT INCL.
03b	43420204540	CONTINUOUS LINE DRUM FX+4500	ATTACH. NOT INCL.
04	31003271800	SNAP SHACKLE 86MM	REF 2297
05	31015001010	ADAPTATOR FOR SNAP SHACKLE	W2297 86MM
06	43420504510	QUICK PIN TRIGGER MECHANISM	FX+4500
07	43420504525	PIN EQUIPED WITH BUSHING	FX+4500
08	29050010450	FX+4500 SWIVEL COVER	
09	43420504530	GUIDE WASHER+SCREWS FX+4500	FX+4500
10	25301045000	CARBON GUIDE FX+4500	
11	43422345000	FX+4500 CLOSED FURL.LINE LEAD	D6+3SCREWS+INSTRUCTION
12	43422045000	3 SCREWS FRL GUID.LEADFX+4500	
13	43420304530	EQUIPPED CARBON GUIDE FX+4500	
14	43420730010	STRIP BAG PU 670MMX15MM	CARBON HOUSING FX+2500-
NA	24000102110	DOUBLE FAIRLEAD+SCRATCH+CARD	FOR D25MM STANCHION REI
NA	24000102130	DOUBLE FAIRLEAD+SCRATCH+CARD	FOR D28MM STANCHION REI

FX+4500 SPARE PART LIST
EXPLOD DRAWING# FX+01

Rep	Reference	Description	
NA	24011013000	LUFF ROPE LRS D13MM P/ METER	

FX+7000 SPARE PART LIST
EXPLOD DRAWING# FX+01

Rep	Reference	Description	
	29050000060	FX7000 DRUM COVER GREY COLOR	
01	43420107030	FX+ 7000 SWIVEL ATTACH. NOT INCL.	
02	31001281200	HIL BOW SHACKLE - D12MM	
03	43420207030	CONTINUOUS LINE DRUM FX+7000 ATTACH. NOT INCL.	
03b	43420207040	CONTINUOUS LINE DRUM FX+7000 ATTACH. NOT INCL.	
04	43130407030	SNAP SHACKLE ADAPTOR 7000 WICHARD	
05	31015001010	ADAPTATOR FOR SNAP SHACKLE W2297 86MM	
06	43420507010	QUICK PIN TRIGGER MECHANISM FX+70000	
07	43420507025	PIN EQUIPED WITH BUSHING FX+7000	
08	29050010700	FX+7000 SWIVEL COVER	
09	43420507030	GUIDE WASHER+SCREWS FX+4500 FX+4500	
10	25301070000	CARBON GUIDE FX+7000	
11	43422370000	FX+7000 CLOSED FURL.LINE LEAD D6+3SCREWS+INSTRUCTION	
12	43422070000	3 SCREWS FRL GUID.LEADFX+7000	
13	43420307030	EQUIPPED CARBON GUIDE FX+7000	
14	43420730010	STRIP BAG PU 670MMX15MM CARBON HOUSING FX+2500-	
NA	24000102110	DOUBLE FAIRLEAD+SCRATCH+CARD FOR D25MM STANCHION REI	
NA	24000102130	DOUBLE FAIRLEAD+SCRATCH+CARD FOR D28MM STANCHION REI	

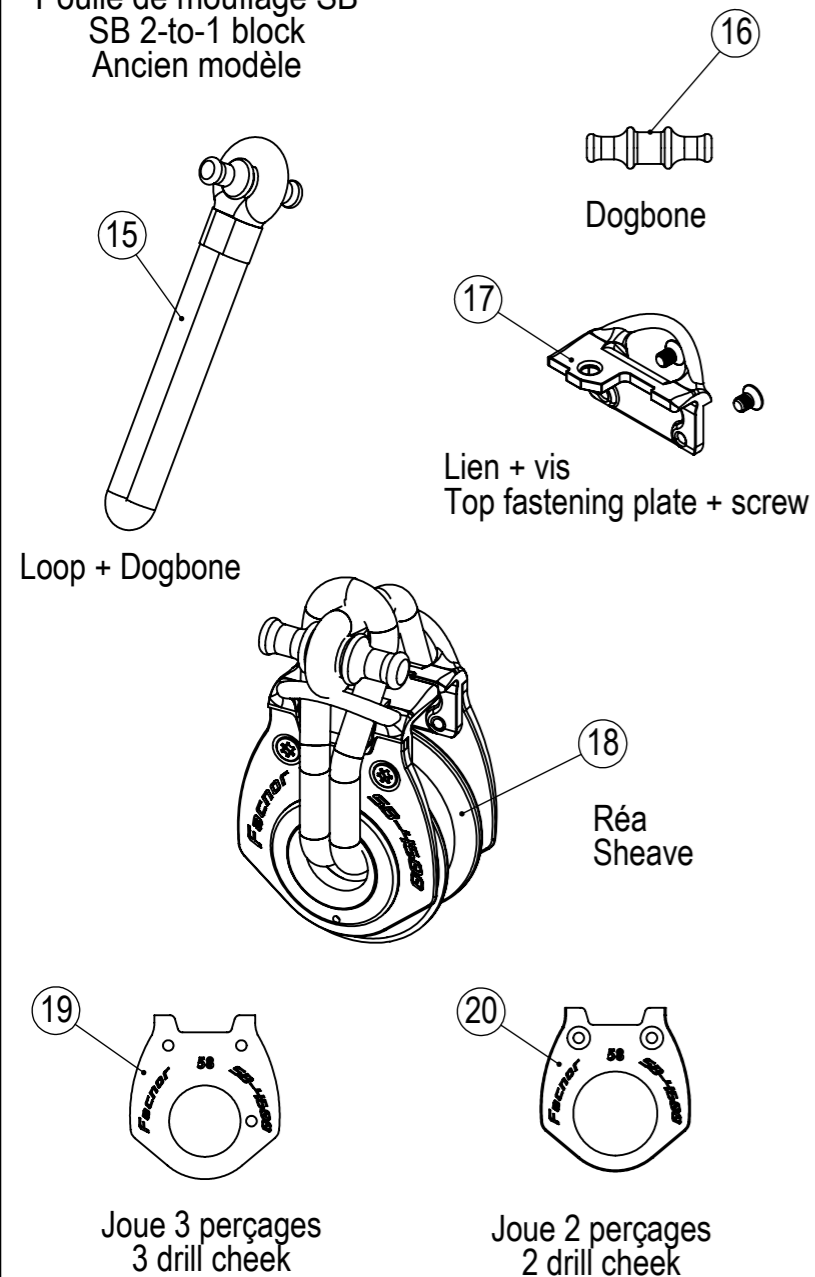
FXT+4500 SPARE PART LIST
EXPLOD DRAWING# FX+01

Rep	Reference	Description	
01	43420104530	FX+ 4500 SWIVEL	ATTACH. NOT INCL.
02	31001281000	HIL BOW SHACKLE - D10MM	
03	43125204530	FXT4500 DRUM WITHOUT ATTACH.	
04	31003271800	SNAP SHACKLE 86MM	REF 2297
08	29050010450	FX+4500 SWIVEL COVER	

FXT+7000 SPARE PART LIST
EXPLOD DRAWING# FX+01

Rep	Reference	Description	
01	43420107030	FX+ 7000 SWIVEL	ATTACH. NOT INCL.
02	31001281200	HIL BOW SHACKLE - D12MM	
03	43125207030	FXT7000 DRUM WITHOUT ATTACH.	
04	43130407030	SNAP SHACKLE ADAPTOR 7000	WICHARD
08	29050010700	FX+7000 SWIVEL COVER	

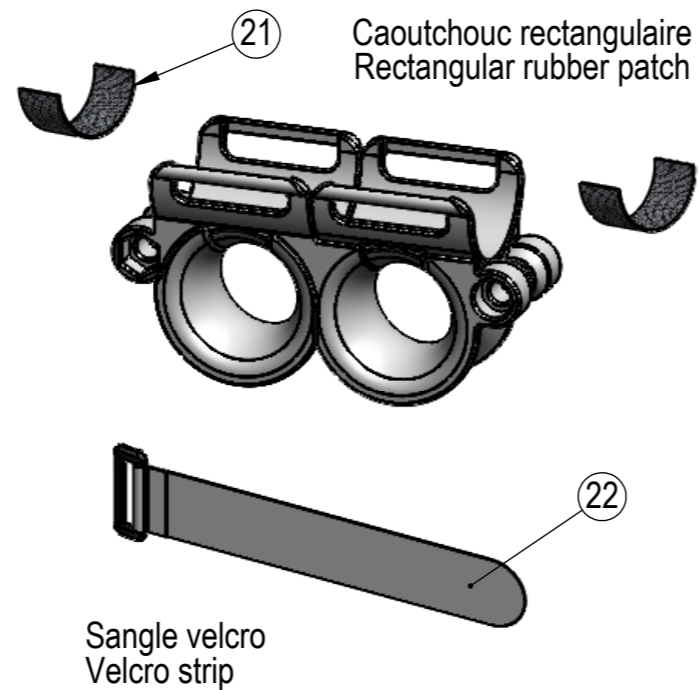
Poulie de mouflage SB
SB 2-to-1 block
Ancien modèle



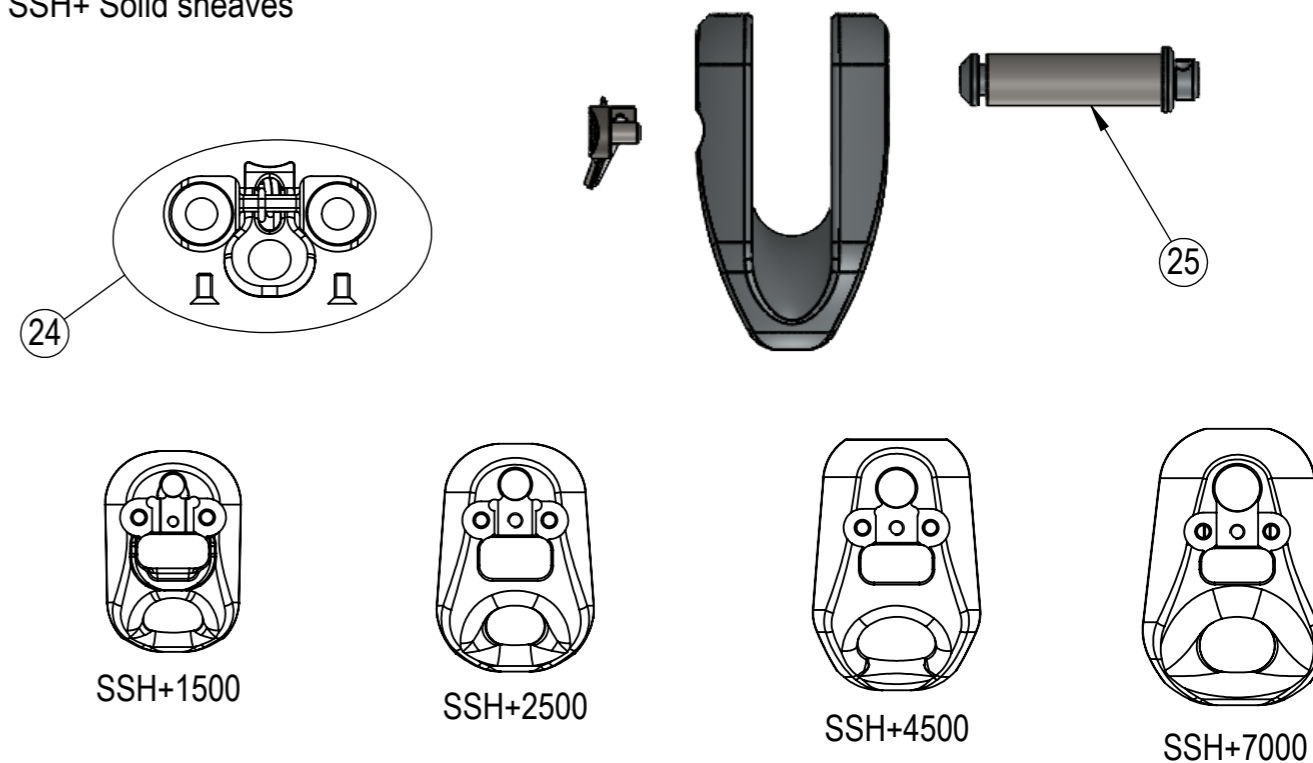
ACCESSOIRES EMMAGASINEURS FX+ - PIECES DETACHEES / FX+ ACCESSORIES SPARE PARTS



Filoir Double (TSL 25/28)
TSL 25/28 Twin Fairlead

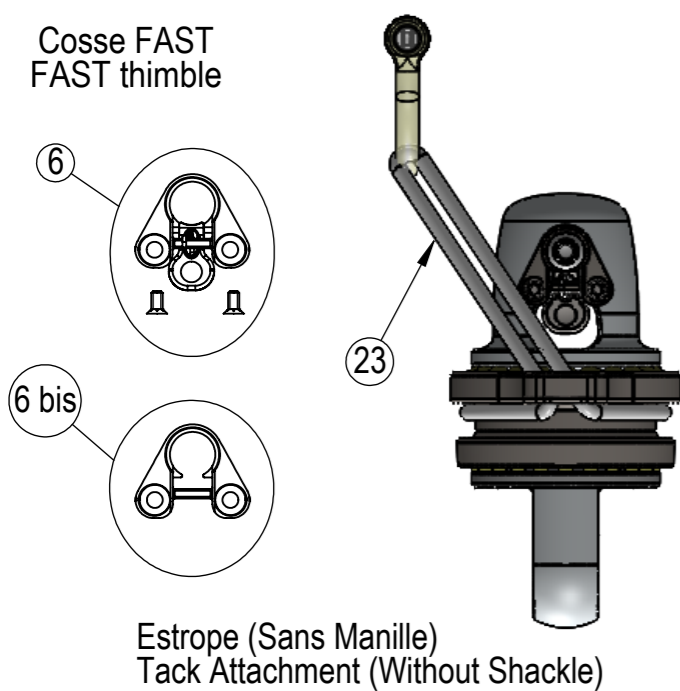


Palan de friction SSH+
SSH+ Solid sheaves



Poulie de mouflage LB
LB 2-to-1 block

Cosse FAST
FAST thimble



27
Dogbone



ACCESSORIES FX+1500 SPARE LIST
EXPLOD DRAWING# FX+02

Rep	Reference	Description	
21	24000102060	TSL25/28/35 RUBBER PATCH	
22	24000102050	TSL25 VELCRO STRIP	BLACK 25*122MM
23	24000600100	D3MM DYNEEMA SAIL ROPE	
24	43360101070	EQUIPPED TRIGGER PIN SYSTEM	SMALL->=D08<=D24 <=FX+12
25	43143800153	PIN QUICK RELEASE FX+/SSH+1500	
26	43143750201	BACK DYNEEMA LB2T LOOP+DOGBONE	FOR LB SHEAVE
27	25200170500	SB2500 DOGBONE	

ACCESSORIES FX+2500 SPARE LIST
EXPLOD DRAWING# FX+02

Rep	Reference	Description	
15	43143700251	SB2500 LOOP+DOGBONE	
16	25200170500	SB2500 DOGBONE	
17	25200013250	SB2500 S-S FASTENING PLATES	
18	43361002500	SHEAVE+BEARINGS SB2500	SB2500 BLOCK
20	89021093253	SB2500 JAW - 2 DRILLS	
21	24000102060	TSL25/28/35 RUBBER PATCH	
22	24000102050	TSL25 VELCRO STRIP	BLACK 25*122MM
23	24000600110	D4MM DYNEEMA SAIL ROPE	
24	43360101070	EQUIPPED TRIGGER PIN SYSTEM	SMALL->=D08<=D24 <=FX+12
25	43143800253	PIN QUICK RELEASE FX+/SSH+2500	
26	43143750301	BACK DYNEEMA LB3T LOOP+DOGBONE	FOR LB SHEAVE
27	25200170500	SB2500 DOGBONE	

ACCESSORIES FX+4500 SPARE LIST
EXPLOD DRAWING# FX+02

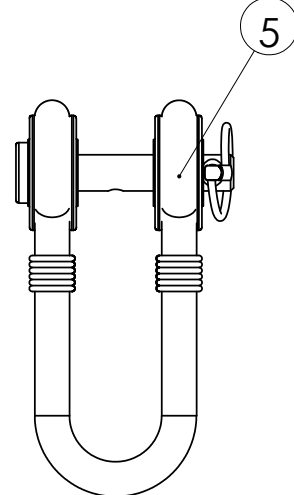
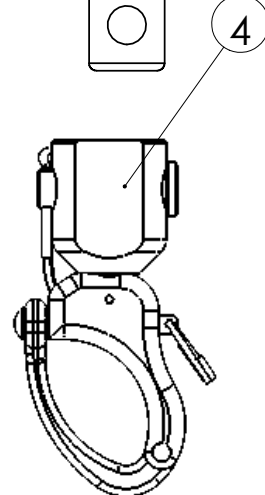
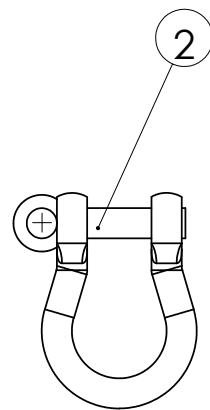
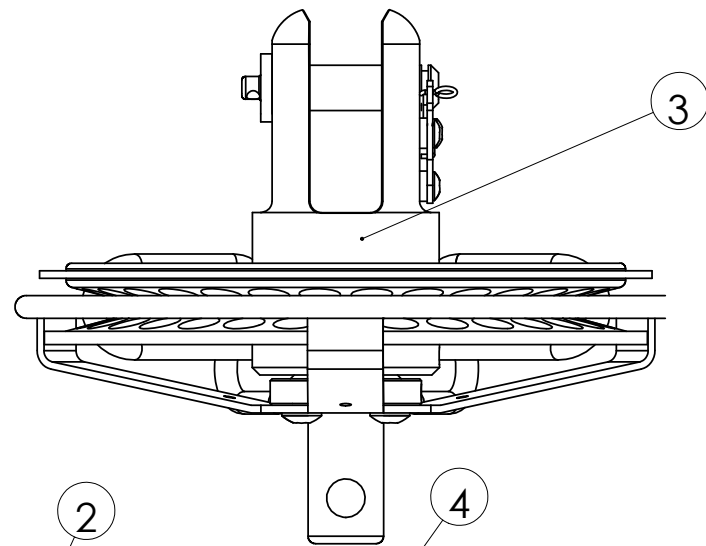
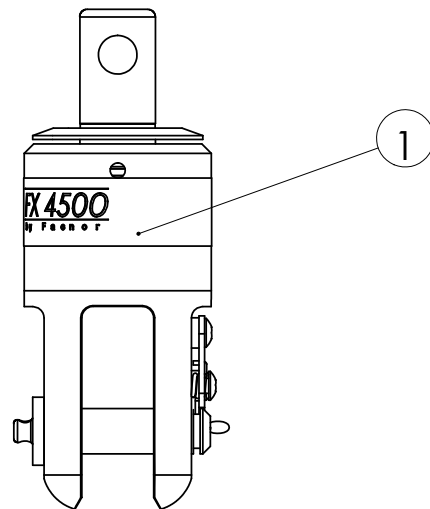
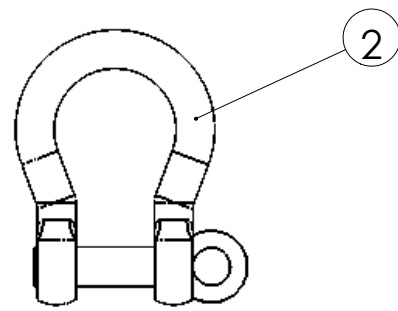
Rep	Reference	Description	
15	43143700451	SB&LB4500 BLACK LOOP+DOGBONE	FOR SB&LB4500 BLOCK
16	25200170510	SB4500 DOGBONE	
17	25200013450	SB4500 S-S FASTENING PLATES	
18	43361004500	SHEAVE+BEARINGS SB4500	SB4500 BLOCK
20	89021093453	SB4500 JAW - 2 DRILLS	
21	24000102060	TSL25/28/35 RUBBER PATCH	

ACCESSORIES FX+4500 SPARE LIST
EXPLOD DRAWING# FX+02

Rep	Reference	Description	
22	24000102050	TSL25 VELCRO STRIP	BLACK 25*122MM
22	24000102055	TSL28 VELCRO STRIP	BLACK 25*140MM
23	24000600120	D6MM DYNEEMA SAIL ROPE	
24	43360101070	EQUIPPED TRIGGER PIN SYSTEM	SMALL->=D08<=D24 <=FX+12
25	43143800453	PIN QUICK RELEASE FX+/SSH+4500	
26	43143700451	SB&LB4500 BLACK LOOP+DOGBONE	FOR SB&LB4500 BLOCK
27	25200170510	SB4500 DOGBONE	

ACCESSORIES FX+7000 SPARE LIST
EXPLOD DRAWING# FX+02

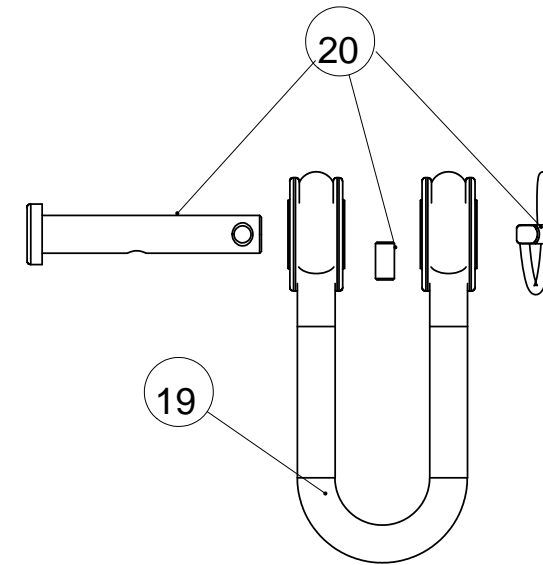
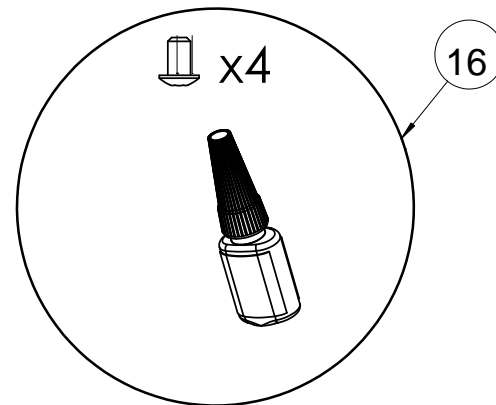
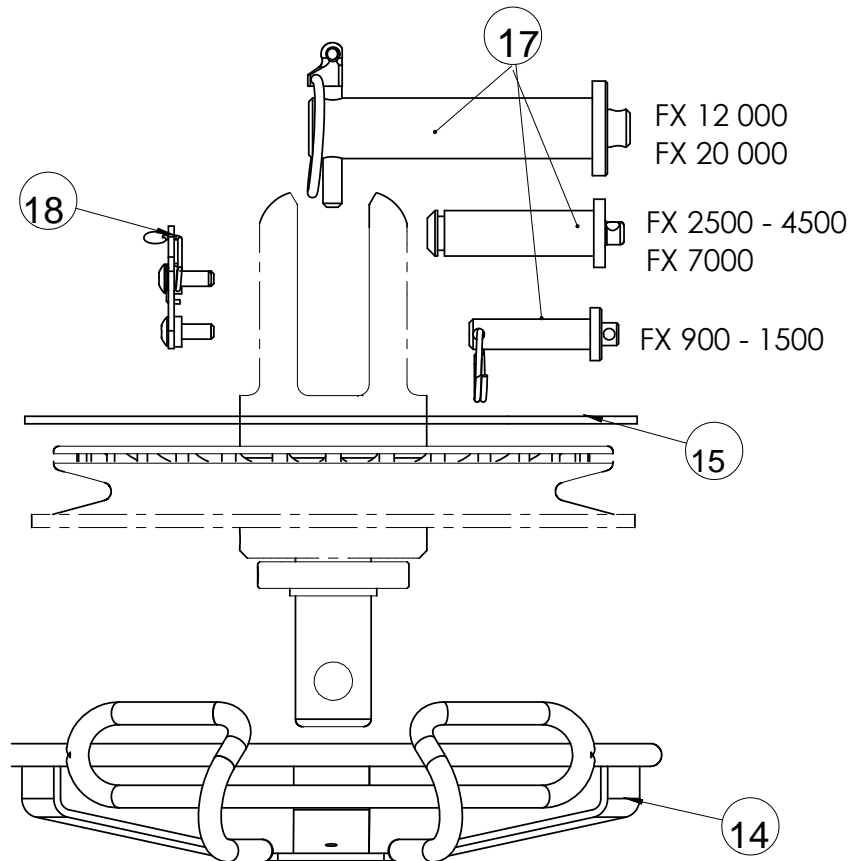
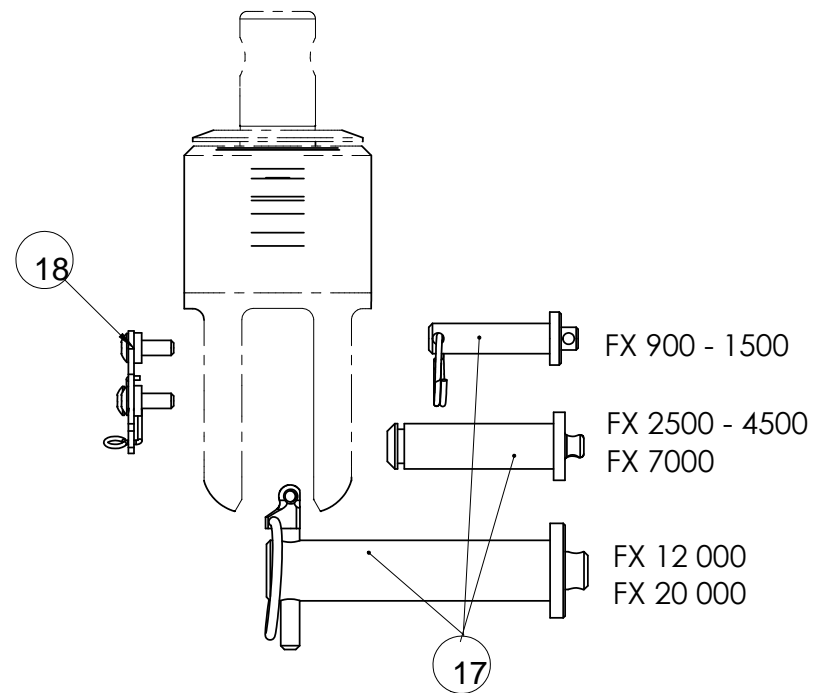
Rep	Reference	Description	
15	43143700701	SB&LB7000 BLACK LOOP+DOGBONE	FOR SB&LB7000 BLOCK
16	25200170520	SB7000 DOGBONE	
17	25200013700	SB7000 S-S FASTENING PLATES	
18	43361007000	SHEAVE+BEARINGS SB7000	SB7000 BLOCK
19	89021091703	SB7000 JAW - 3 DRILLS	
20	89021093703	SB7000 CHEECK - 2 DRILLS	
21	24000102060	TSL25/28/35 RUBBER PATCH	
22	24000102050	TSL25 VELCRO STRIP	BLACK 25*122MM
22	24000102055	TSL28 VELCRO STRIP	BLACK 25*140MM
23	24000600130	D7MM DYNEEMA SAIL ROPE	
24	43360101070	EQUIPPED TRIGGER PIN SYSTEM	SMALL->=D08<=D24 <=FX+12
25	43344140587	PIN QUICK RELEASE FX+/SSH+7000	
26	43143700701	SB&LB7000 BLACK LOOP+DOGBONE	FOR SB&LB7000 BLOCK
27	25200170520	SB7000 DOGBONE	



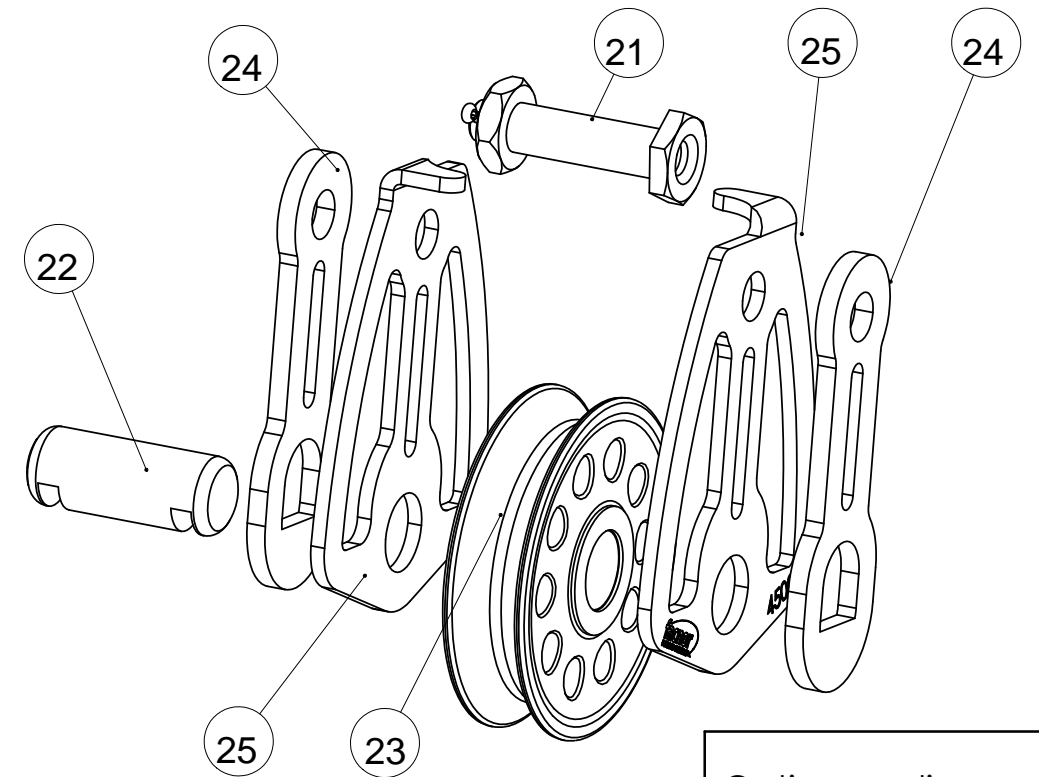
Manille
Shackle

Mousqueton
Snap shackle

Manille textile
Loop shackle



Manille textile
Loop shackle REP:5



Option poulie mouflage
2-to-1 Option block

Ind	Date	Auteur	Vérificat°	Description de la modification

FX01 / FX SPARE PARTS
PIECES DETACHEES
EMMAGASINEURS FX

A3

Ech: 1:1

facnor
FURLING SYSTEMS
FACNOR S.A.S.
Parc d'Activités - B.P. 222
F-50550 SAINT-VAAST-LA-HOUEUE
tel. +33 (0)2 33 88 50 22
fax. +33 (0)2 33 23 14 27

Date: 20/07/2007

Tol. Gén.:

Etude: 20072007YD01

Auteur: Y.DOUCET

Matière:

Prod°:

Appro.:

Finition:

Indice:

Ce plan est la propriété intellectuelle de FACNOR SAS. Il ne peut être divulgué à des tiers sans notre autorisation écrite, ni servir à d'autres fabrications.

FX0900 OLD SPAREPART LIST
EXPLOD DRAWING# OLD FX01

Rep	Reference	Description	
01	43420101530	FX+900-1500 SWIVEL	ATTACH. NOT INCL.
02	31001250600	BOW SHACKLE D06MM	
03	43420200935	CONTINUOUS LINE DRUM FX+900	ATTACH. NOT INCL.
04	31003271200	SNAP SHACKLE 52MM	REF 2293
14	43142450098	S-S FURLING LINE GUIDE FX900	
15	43120230090	FX 900 RUBBER RING+NOTICE	
16	43120300020	FIXING SET (SCREWS+LOCTITE+	ALLEN KEY) FX9/1500
17	43120500900	JAW PIN +SAFETY RING FX/FX+900	EM+PC FX/FX+900

FX1500 OLD SPAREPART LIST
EXPLOD DRAWING# OLD FX01

Rep	Reference	Description	
01	43420101530	FX+900-1500 SWIVEL	ATTACH. NOT INCL.
02	31001260600	HIL DEE SHACKLE - D06MM	SHORT
03	43420201530	CONTINUOUS LINE DRUM FX+1500	ATTACH. NOT INCL.
04	31003271200	SNAP SHACKLE 52MM	REF 2293
14	43142450158	S-S FURLING LINE GUIDE FX1500	
15	43120230150	FX 1500 RUBBER RING+NOTICE	
16	43120300020	FIXING SET (SCREWS+LOCTITE+	ALLEN KEY) FX9/1500
17	43120501500	JAW PIN + SAFETY RING - FX1500	
NA	24000102110	DOUBLE FAIRLEAD+SCRATCH+CARD	FOR D25MM STANCHION REI
NA	24000102130	DOUBLE FAIRLEAD+SCRATCH+CARD	FOR D28MM STANCHION REI
NA	24011008000	LUFF ROPE LRS D8(9) PER METER	AFX 1500

FX2500 OLD SPAREPART LIST
EXPLOD DRAWING# OLD FX01

Rep	Reference	Description	
01	43420102530	FX+ 2500 SWIVEL	ATTACH. NOT INCL.
02	31001280800	HIL BOW SHACKLE - D08MM	
03	43420202530	CONTINUOUS LINE DRUM FX+2500	ATTACH. NOT INCL.
04	31003271600	SNAP SHACKLE 70MM	REF 2295
14	43142450258	S-S FURLING LINE GUIDE FX2500	
15	43120230250	FX 2500 RUBBER RING+NOTICE	
16	43120300040	FIXING SET (SCREWS+LOCTITE+	ALLEN KEY) FX25/45/7000
17	43120502500	JAW PIN - FX2500	

FX2500 OLD SPAREPART LIST
EXPLOD DRAWING# OLD FX01

Rep	Reference	Description	
18	43120502501	CLICK SYSTEM FOR PIN - FX2500	
21	43130102531	FX2500 SCREW+BOLT+SPLIT PIN	
22	35025220253	SHEAVE PIN FOR FX2500 BLOCK	
23	43130102532	FX2500 BLOCK SHEAVE	
24	89021050257	FX2500 CHEEK REINFORCEMENT	
25	89021040256	FX2500 BLOCK CHEEK	
NA	24000102110	DOUBLE FAIRLEAD+SCRATCH+CARD	FOR D25MM STANCHION REI
NA	24000102130	DOUBLE FAIRLEAD+SCRATCH+CARD	FOR D28MM STANCHION REI

FX4500 OLD SPAREPART LIST
EXPLOD DRAWING# OLD FX01

Rep	Reference	Description	
01	43420104530	FX+ 4500 SWIVEL	ATTACH. NOT INCL.
02	31001281000	HIL BOW SHACKLE - D10MM	
03	43420204530	CONTINUOUS LINE DRUM FX+4500	ATTACH. NOT INCL.
04	31003271800	SNAP SHACKLE 86MM	REF 2297
14	43142450458	S-S FURLING LINE GUIDE FX4500	
15	43120230450	FX 4500 RUBBER RING+NOTICE	
16	43120300040	FIXING SET (SCREWS+LOCTITE+	ALLEN KEY) FX25/45/7000
17	43120504500	JAW PIN - FX4500	
18	43120504501	CLICK SYSTEM FOR PIN - FX4500	
19	43120530450	FX 4500 TEXTILE SHACKLE + S-S	RING
20	43130304531	PIN KIT FOR FX4500 TEXTILE	SHACKLE
21	43130104531	FX4500 SCREW+BOLT+SPLIT PIN	
22	35025220453	SHEAVE PIN FOR FX4500 BLOCK	
23	43130104532	FX4500 BLOCK SHEAVE	
24	89021050457	FX4500 CHEEK REINFORCEMENT	
25	89021040456	FX4500 BLOCK CHEEK	
NA	24000102110	DOUBLE FAIRLEAD+SCRATCH+CARD	FOR D25MM STANCHION REI
NA	24000102130	DOUBLE FAIRLEAD+SCRATCH+CARD	FOR D28MM STANCHION REI
NA	24011013000	LUFF ROPE LRS D13MM P/ METER	

FX7000 OLD SPAREPART LIST
EXPLOD DRAWING# OLD FX01

Rep	Reference	Description	
-----	-----------	-------------	--

FX7000 OLD SPAREPART LIST
EXPLOD DRAWING# OLD FX01

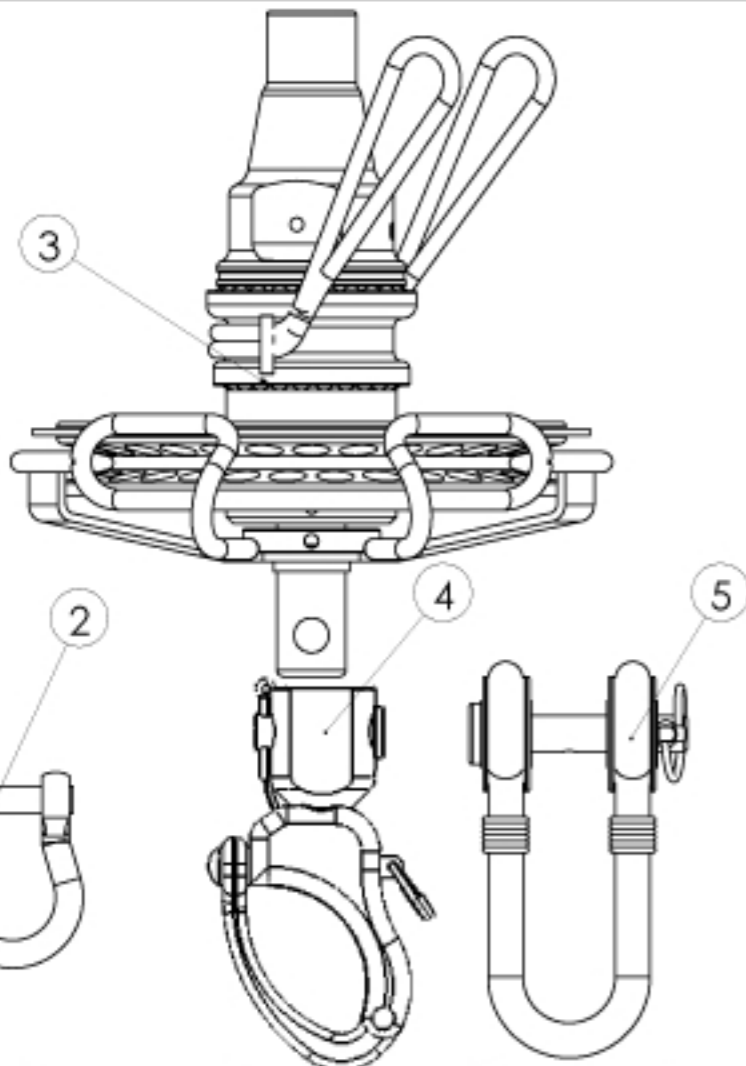
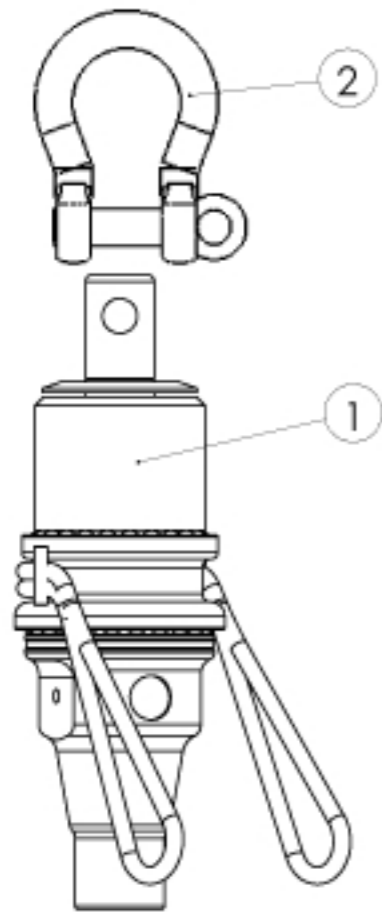
Rep	Reference	Description	
01	43420107030	FX+ 7000 SWIVEL	ATTACH. NOT INCL.
02	31001281200	HIL BOW SHACKLE - D12MM	
03	43420207030	CONTINUOUS LINE DRUM FX+7000	ATTACH. NOT INCL.
04	43130407030	SNAP SHACKLE ADAPTOR 7000	WICHARD
14	43142450708	S-S FURLING LINE GUIDE FX7000	
15	43120230700	FX 7000 RUBBER RING+NOTICE	WITH NYLON SCREWS
16	43120300040	FIXING SET (SCREWS+LOCTITE+	ALLEN KEY) FX25/45/7000
17	43120507000	JAW PIN - FX7000	
18	43120507001	CLICK SYSTEM FOR PIN - FX7000	
19	43120530700	FX 7000 TEXTILE SHACKLE + S-S	RING
20	43130307031	PIN KIT FOR FX7000 TEXTILE	SHACKLE
21	43130107031	FX7000 SCREW+BOLT+SPLIT PIN	
22	35025220705	PIN FOR 7000 SOLID SHEAVE	OLD FX7000
23	43130107032	FX7000 BLOCK SHEAVE	
24	89021050709	REINFORC PLATE FOR 7000 SHEAVE	OLD FX7000
25	89021040706	FX7000 BLOCK CHEEK	
NA	24000102110	DOUBLE FAIRLEAD+SCRATCH+CARD	FOR D25MM STANCHION REI
NA	24000102130	DOUBLE FAIRLEAD+SCRATCH+CARD	FOR D28MM STANCHION REI
NA	24011016500	LUFF ROPE LRS D16.5 PER METER	

FX12000 OLD SPAREPART LIST
EXPLOD DRAWING# OLD FX01

Rep	Reference	Description	
16	43120300060	FIXING SET (SCREWS+LOCTITE+	ALLEN KEY) FX12/20000
17	43120512000	JAW PIN + SAFETY PIN - FX12000	
19	43120531200	FX 12000 TEXTILE SHACKLE + S-S	RING
20	43130312031	PIN KIT FOR FX12000 TEXTILE	SHACKLE

FX20000 OLD SPAREPART LIST
EXPLOD DRAWING# OLD FX01

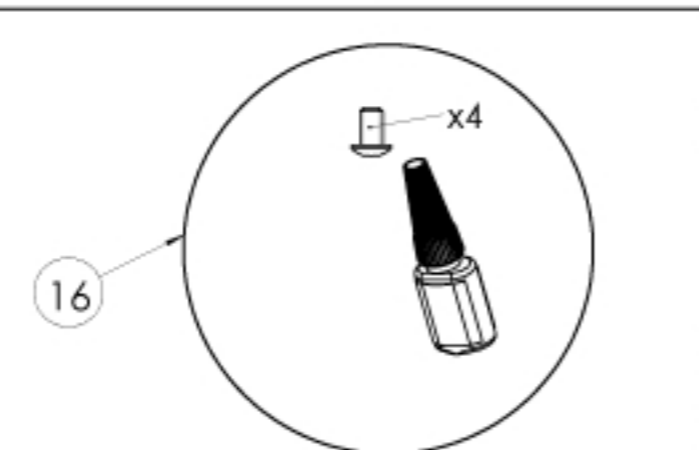
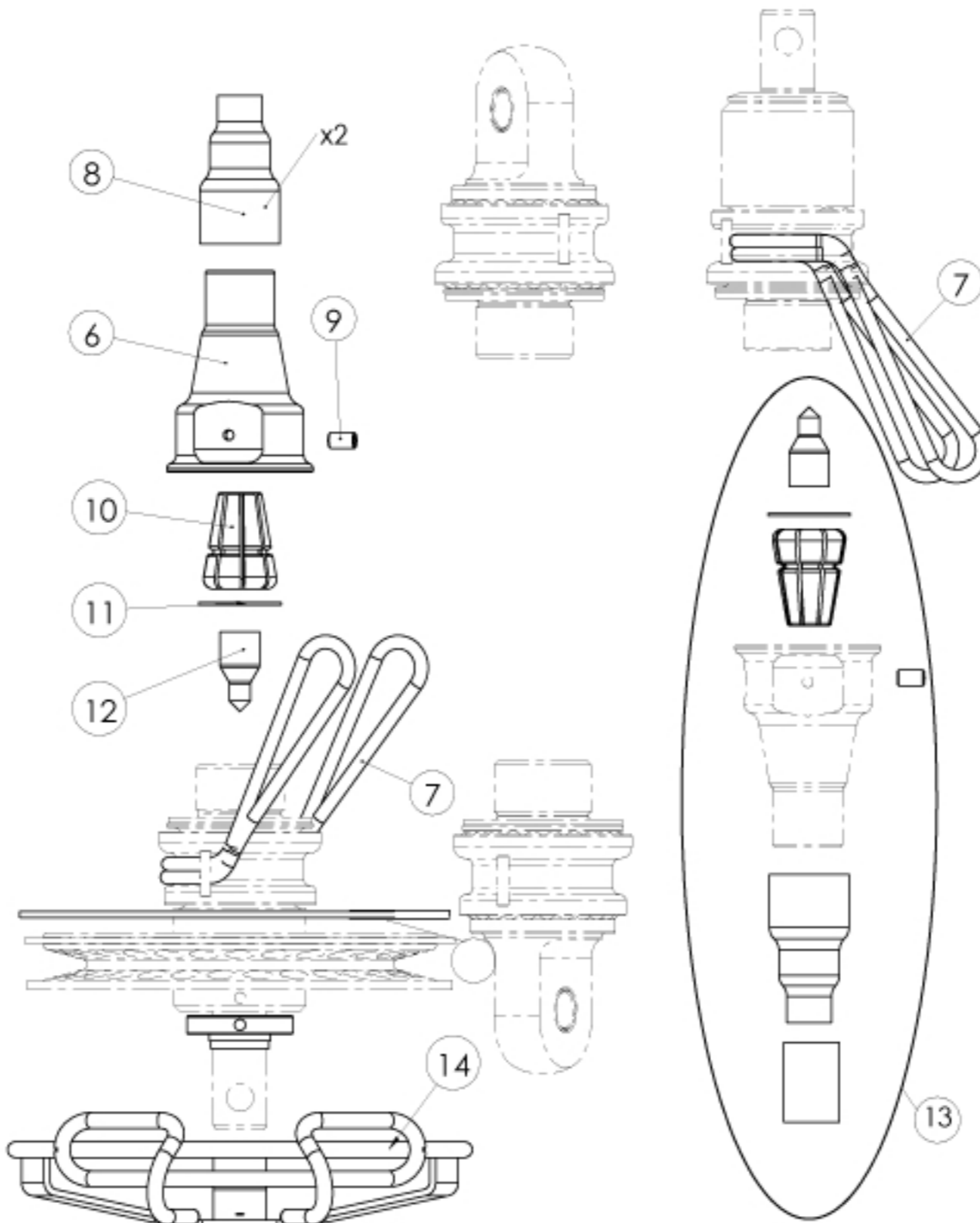
Rep	Reference	Description	
17	43120520000	JAW PIN + SAFETY PIN - FX20000	



Manille
Shackle

Mousqueton
Snap shackle

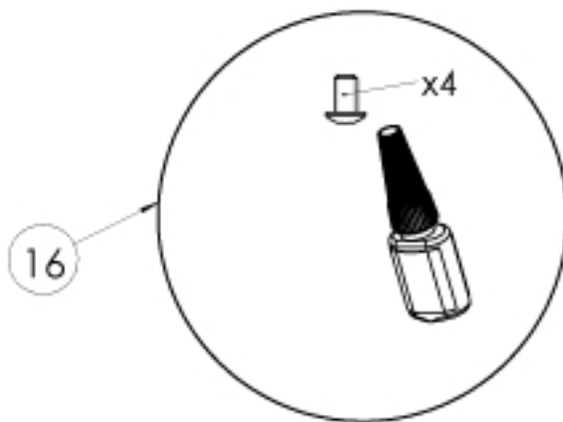
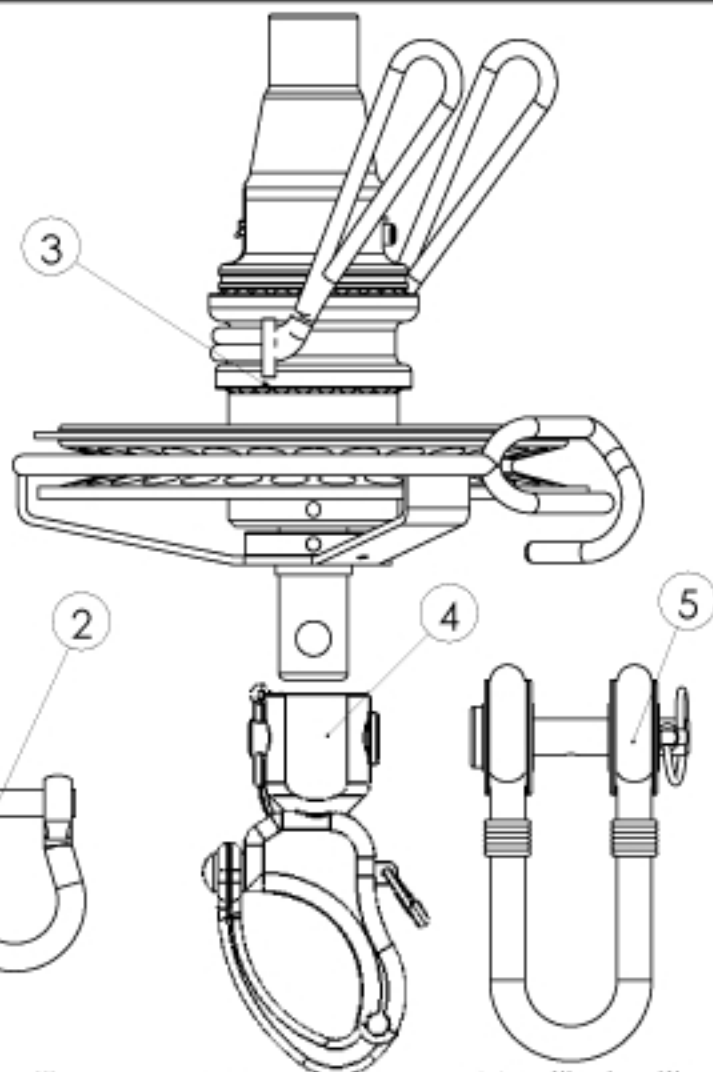
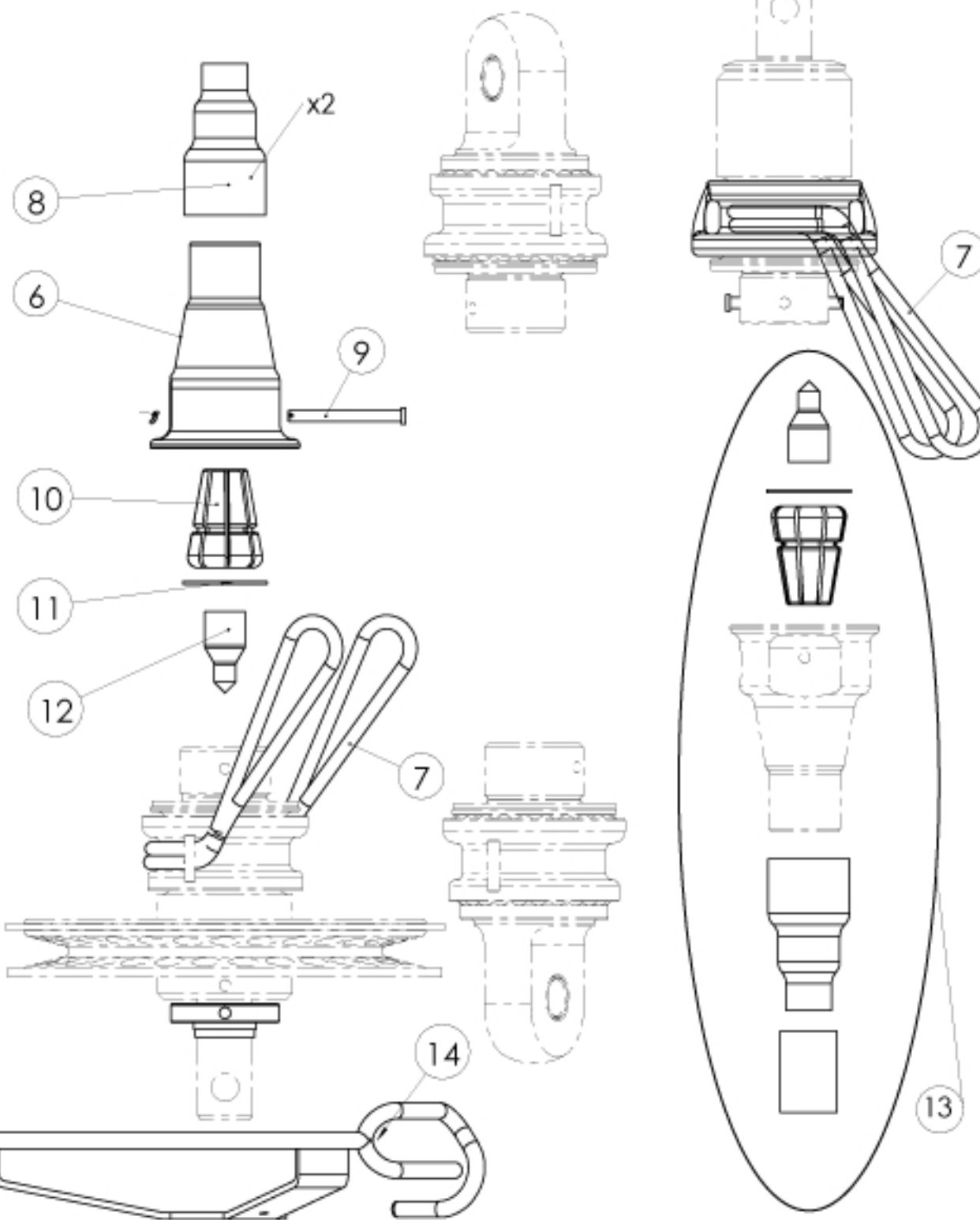
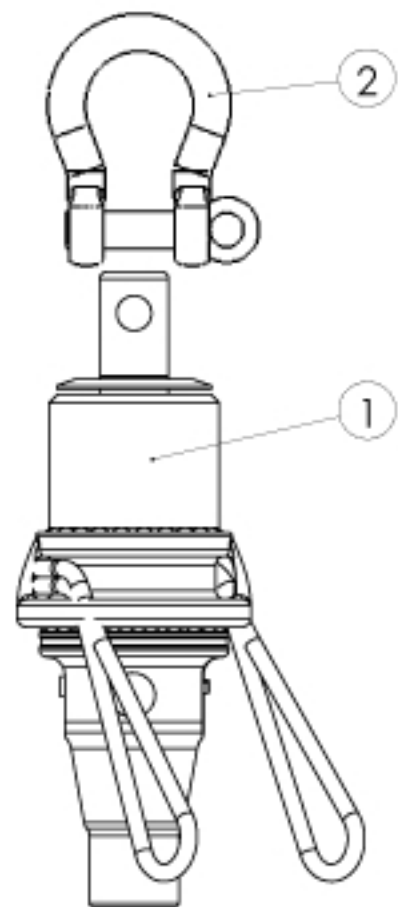
Manille textile
Loop shackle



ASYMFX 01 V1

Ind	Date	Auteur	Vérificat°	Description de la modification
				<p>ASYM FX SPARE PARTS PIECES DETACHEES EMMAGASINEURS ASYM FX</p>
				<p>A3 Ech:</p>
				<p>facnor FURLING SYSTEMS</p>
				<p>FACNOR S.A.S. Parc d'Activités - B.P. 222 F-50550 SAINT-VAAST-LA-HOUGUE tel. +33 (0)2 33 88 50 22 fax. +33 (0)2 33 23 14 27</p>
Date: 02/12/2008		Tol. Gén.:		Etude: 02122008YD02
Auteur: Y.DOUCET		Matière:		Prod°:
Appr.:		Finition:		Indice:

Ce plan est la propriété intellectuelle de FACNOR SAS. Il ne peut être divulgué à des tiers sans notre autorisation écrite, ni servir à d'autres fabrications.



ASYMFX 01 V2

Manille
Shackle

Mousqueton
Snap shackle

Manille textile
Loop shackle

Ind	Date	Auteur	Vérificat°	Description de la modification

ASYM FX SPARE PARTS
PIECES DETACHEES
EMMAGASINEURS ASYM FX

A3

Ech:

facnor
FACNOR S.A.S.
Parc d'Activités - B.P. 222
F-50650 SAINT-VAAST-LA-HOUGUE
tel. +33 (0)2 33 88 50 22
fax. +33 (0)2 33 23 14 27

Date: 05/06/2009 Tol. Gén.:

Auteur: Y.DOUCET Matière:

Appro.: Finition:

Etude: 05062009YD01

Prod°:

Indice:

Ce plan est la propriété intellectuelle de FACNOR SAS. Il ne peut être divulgué à des tiers sans notre autorisation écrite, ni servir à d'autres fabrications.

ASYM FX1500 OLD SPARE LIST
EXPLOD DRAWING# ASYMF01 V1/V2

Rep	Reference	Description	
	24000102110	DOUBLE FAIRLEAD+SCRATCH+CARD	FOR D25MM STANCHION REI
	24000102130	DOUBLE FAIRLEAD+SCRATCH+CARD	FOR D28MM STANCHION REI
02	31001260600	HIL DEE SHACKLE - D06MM	SHORT
04	31003271200	SNAP SHACKLE 52MM	REF 2293
06	43243190156	AFX1500 LUFF ROPE TERMINAL	
07	24000600040	D4MM DYNEEMA SAIL ROPE	
08	43224001540	AFX1500 SHRINKABLE SLEEVE KIT	
09	20009050600	SAFETY SCREW 05*06	HEXAGON SOCKET SET
09b	43226001540	SAF. PIN+SPLIT PIN KIT AFX1500	
10	43222001540	SPLIT CONE ASYM FX1500	WITH SPRING
11	33015101051	AFX1500 NYLON WASHER 10.5*21	
12	43243250150	AFX1500 PLASTIC CAP /	D9 LUFF ROPE
13	43225001540	AFX1500 CONNECTG TERMINAL KIT	
14	43142450158	S-S FURLING LINE GUIDE FX1500	
15	43120230150	FX 1500 RUBBER RING+NOTICE	
16	43120300020	FIXING SET (SCREWS+LOCTITE+	ALLEN KEY) FX9/1500

ASYM FX2500 OLD SPARE LIST
EXPLOD DRAWING# ASYMF01 V1/V2

Rep	Reference	Description	
	24000102110	DOUBLE FAIRLEAD+SCRATCH+CARD	FOR D25MM STANCHION REI
	24000102130	DOUBLE FAIRLEAD+SCRATCH+CARD	FOR D28MM STANCHION REI
02	31001280800	HIL BOW SHACKLE - D08MM	
04	31003271600	SNAP SHACKLE 70MM	REF 2295
07	24000600040	D4MM DYNEEMA SAIL ROPE	
08	43224002540	AFX2500 SHRINKABLE SLEEVE KIT	
09	20009050810	SAFETY SCREW 05*08	HEXAGON SOCKET SET
09b	43226002540	SAF. PIN+SPLIT PIN KIT AFX2500	
11	33015101401	AFX2500 NYLON WASHER 14*25	
12	43243250250	AFX2500 PLASTIC CAP /	D11 LUFF ROPE
13	43225002540	AFX2500 CONNECTG TERMINAL KIT	
14	43142450258	S-S FURLING LINE GUIDE FX2500	
15	43120230250	FX 2500 RUBBER RING+NOTICE	
16	43120300040	FIXING SET (SCREWS+LOCTITE+	ALLEN KEY) FX25/45/7000
21	43130102531	FX2500 SCREW+BOLT+SPLIT PIN	
22	35025220253	SHEAVE PIN FOR FX2500 BLOCK	
23	43130102532	FX2500 BLOCK SHEAVE	
24	89021050257	FX2500 CHEEK REINFORCEMENT	

ASYM FX2500 OLD SPARE LIST
EXPLOD DRAWING# ASYMF01 V1/V2

Rep	Reference	Description	
25	89021040256	FX2500 BLOCK CHEEK	

ASYM FX4500 OLD SPARE LIST
EXPLOD DRAWING# ASYMF01 V1/V2

Rep	Reference	Description	
	24000102110	DOUBLE FAIRLEAD+SCRATCH+CARD FOR D25MM STANCHION REI	
	24000102130	DOUBLE FAIRLEAD+SCRATCH+CARD FOR D28MM STANCHION REI	
02	31001281000	HIL BOW SHACKLE - D10MM	
04	31003271800	SNAP SHACKLE 86MM REF 2297	
06	43243190456	AFX4500 LUFF ROPE TERMINAL	
07	24000600060	D6MM DYNEEMA SAIL ROPE	
08	43224004540	AFX4500 SHRINKABLE SLEEVE KIT	
09	20009050810	SAFETY SCREW 05*08 HEXAGON SOCKET SET	
09b	43226004540	SAF. PIN+SPLIT PIN KIT AFX4500	
10	43222004540	SPLIT CONE ASYM FX4500 WITH SPRING	
12	43243250450	AFX4500 PLASTIC CAP / D13 LUFF ROPE	
13	43225004540	AFX4500 CONNECTG TERMINAL KIT	
14	43142450458	S-S FURLING LINE GUIDE FX4500	
15	43120230450	FX 4500 RUBBER RING+NOTICE	
16	43120300040	FIXING SET (SCREWS+LOCTITE+ ALLEN KEY) FX25/45/7000	
19	43120530450	FX 4500 TEXTILE SHACKLE + S-S RING	
20	43130304531	PIN KIT FOR FX4500 TEXTILE SHACKLE	
21	43130104531	FX4500 SCREW+BOLT+SPLIT PIN	
22	35025220453	SHEAVE PIN FOR FX4500 BLOCK	
23	43130104532	FX4500 BLOCK SHEAVE	
24	89021050457	FX4500 CHEEK REINFORCEMENT	
25	89021040456	FX4500 BLOCK CHEEK	

ASYM FX7000 OLD SPARE LIST
EXPLOD DRAWING# ASYMF01 V1/V2

Rep	Reference	Description	
	24000102110	DOUBLE FAIRLEAD+SCRATCH+CARD FOR D25MM STANCHION REI	
	24000102130	DOUBLE FAIRLEAD+SCRATCH+CARD FOR D28MM STANCHION REI	
02	31001281200	HIL BOW SHACKLE - D12MM	
04	43130407030	SNAP SHACKLE ADAPTOR 7000 WICHARD	

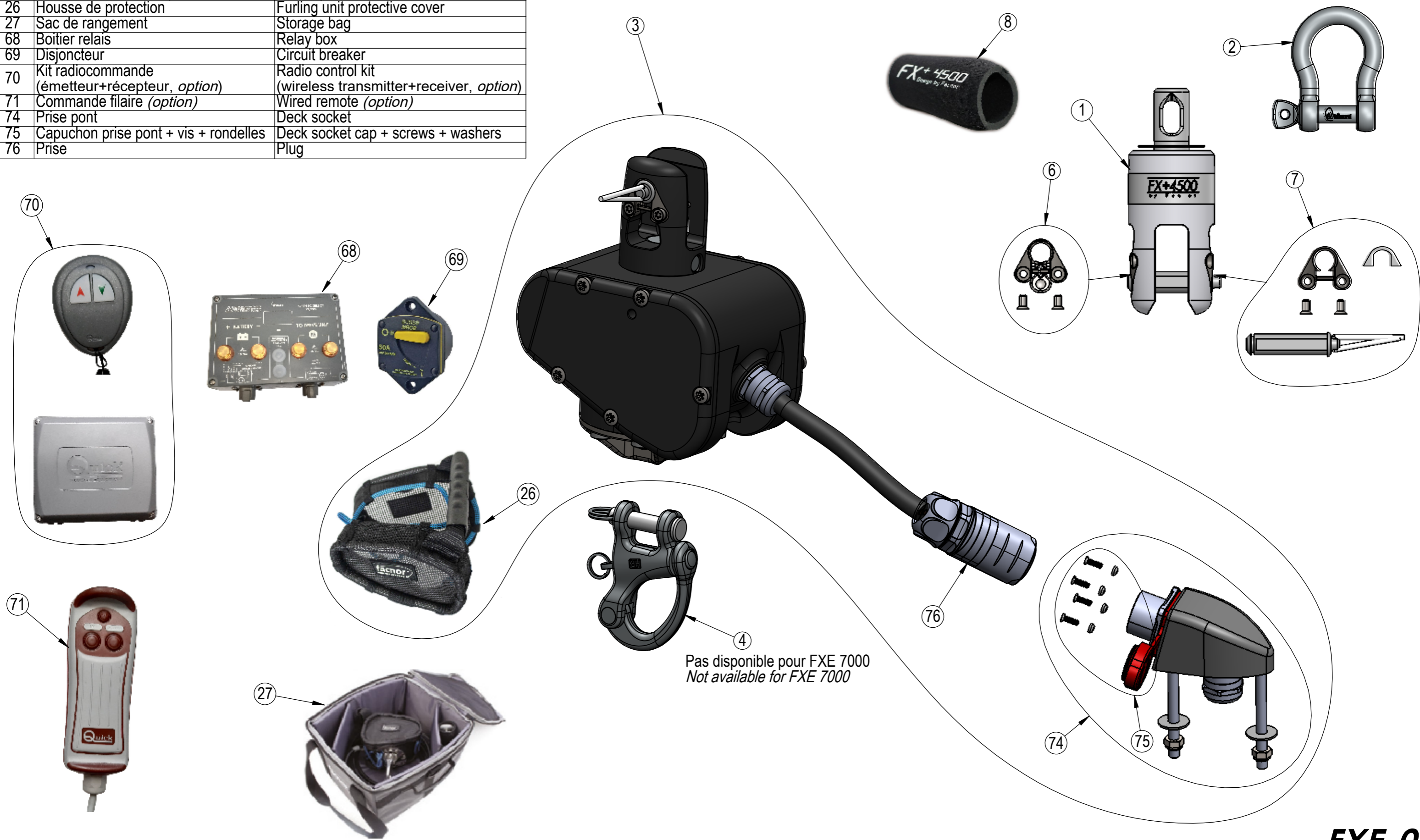
ASYM FX7000 OLD SPARE LIST
EXPLOD DRAWING# ASYMF01 V1/V2

Rep	Reference	Description	
06	43243190706	AFX7000 LUFF ROPE TERMINAL	
07	24000600080	D8MM DYNEEMA SAIL ROPE	
08	43224007040	AFX7000 SHRINKABLE SLEEVE KIT	
09	20009050810	SAFETY SCREW 05*08	HEXAGON SOCKET SET
09b	43226007040	SAF. PIN+SPLIT PIN KIT AFX7000	
10	43222007040	SPLIT CONE ASYM FX7000	WITH SPRING
11	43243210701	AFX7000 NYLON WASHER	
12	43243250700	AFX7000 PLASTIC CAP /	D16.5 LUFF ROPE
14	43142450708	S-S FURLING LINE GUIDE FX7000	
15	43120230700	FX 7000 RUBBER RING+NOTICE	WITH NYLON SCREWS
16	43120300040	FIXING SET (SCREWS+LOCTITE+	ALLEN KEY) FX25/45/7000
19	43120530700	FX 7000 TEXTILE SHACKLE + S-S	RING
20	43130307031	PIN KIT FOR FX7000 TEXTILE	SHACKLE
21	43130107031	FX7000 SCREW+BOLT+SPLIT PIN	
22	35025220705	PIN FOR 7000 SOLID SHEAVE	OLD FX7000
23	43130107032	FX7000 BLOCK SHEAVE	
24	89021050709	REINFORC PLATE FOR 7000 SHEAVE	OLD FX7000
25	89021040706	FX7000 BLOCK CHEEK	

Rep	Désignation	Description
1	Emerillon complet	Swivel assembled
2	Manille	Shackle
3	Bloc moteur complet	Complete motorised drive unit
4	Mousqueton (seulement pour FXE 4500)	Snapshackle (only for FXE 4500)
6	Bague axe verrou assemblée + vis	Quick pin trigger mechanism + screws
7	Bague + guillotine + axe + vis	Pin ring + axis lock + pin + screws
8	Housse émerillon néoprène	Swivel protective cover
26	Housse de protection	Furling unit protective cover
27	Sac de rangement	Storage bag
68	Boitier relais	Relay box
69	Disjoncteur	Circuit breaker
70	Kit radiocommande (émetteur+récepteur, option)	Radio control kit (wireless transmitter+receiver, option)
71	Commande filaire (option)	Wired remote (option)
74	Prise pont	Deck socket
75	Capuchon prise pont + vis + rondelles	Deck socket cap + screws + washers
76	Prise	Plug

EMMAGASINEUR FXE - PIECES DETACHEES / FXE FLYING SAIL FURLER - SPARE PARTS

facnor
ENROULEURS DE VOILES



Pas disponible pour FXE 7000
Not available for FXE 7000

Rep	Désignation	Description
6	Bague axe verrou assemblée + vis	Quick pin trigger mechanism + screws
7	Bague + guillotine + axe + vis	Pin ring + axis lock + pin + screws
54	Kit étanchéité	Sealing kit
55	Moteurs seuls <i>(ne peuvent être vendus seuls)</i>	Motors only <i>(cannot be sold alone)</i>
56	Kit changement moteurs (2x rep 54 + 1x rep 55)	Motor replacing kit (2x rep 54 + 1x rep 55)
59	Tôle bâbord <i>(ne peut être vendue seule)</i>	Port cover <i>(cannot be sold alone)</i>
60	Kit changement tôle bâbord (1x rep 54+ 1x rep 59)	Port cover replacing kit (1x rep 54 + 1x rep 59)
61	Tôle tribord <i>(ne peut être vendue seule)</i>	Starboard cover <i>(cannot be sold alone)</i>
62	Kit changement tôle tribord (1x rep 54 + 1x rep 61)	Starboard cover replacing kit (1x rep 54 + 1x rep 61)
63	Câble d'alimentation <i>(ne peut être vendu seul)</i>	Power supply wire <i>(cannot be sold alone)</i>
64	Kit changement câble alimentation (2x rep 54 + 1x rep 63)	Power supply wire replacing kit (2x rep 54 + 1x rep 63)
72	Courroie seule <i>(ne peut être vendue seule)</i>	Belt only <i>(cannot be sold alone)</i>
73	Kit changement courroie (1x rep 54 + 1x rep 73)	Belt replacing kit (1x rep 54 + 1x rep 73)

**ECLATE BLOC MOTEUR FXE
- PIECES DETACHEES /
EXPLODED VIEW OF DRIVE UNIT
FXE - SPARE PARTS**

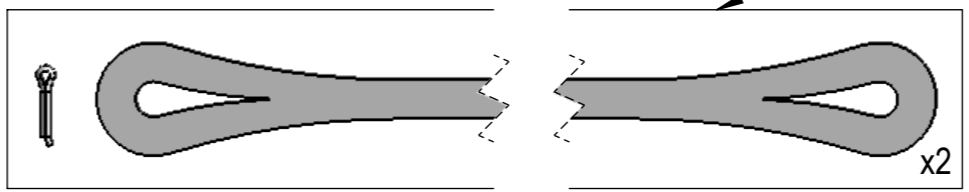
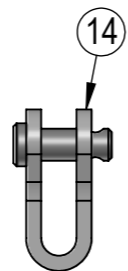
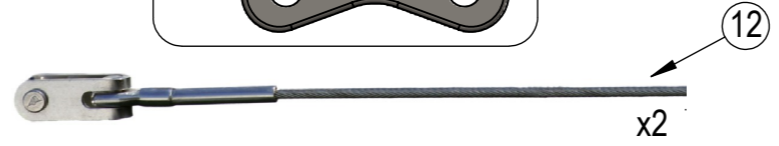
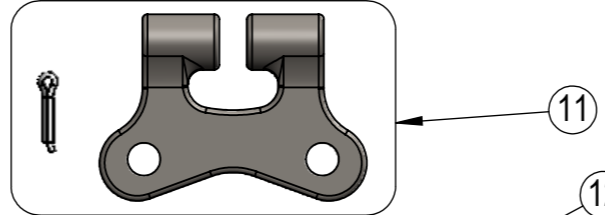
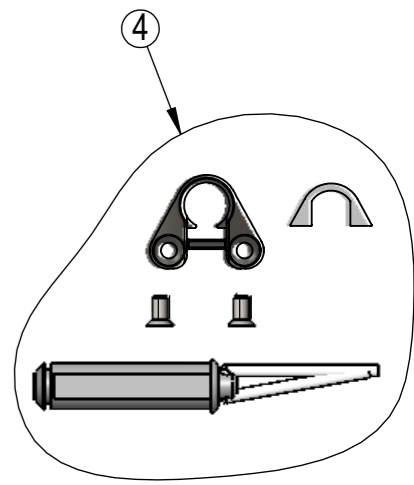
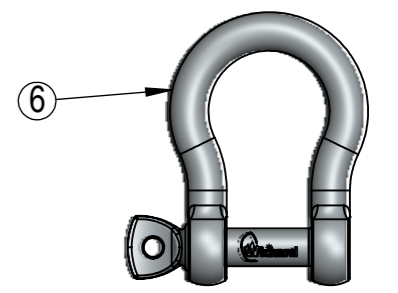
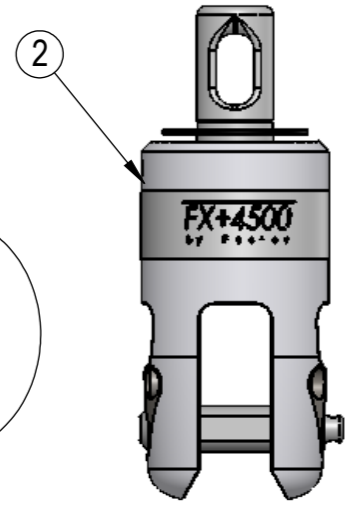
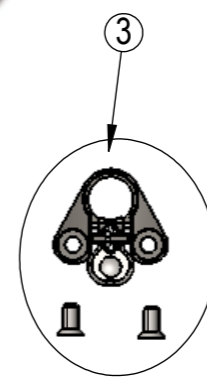
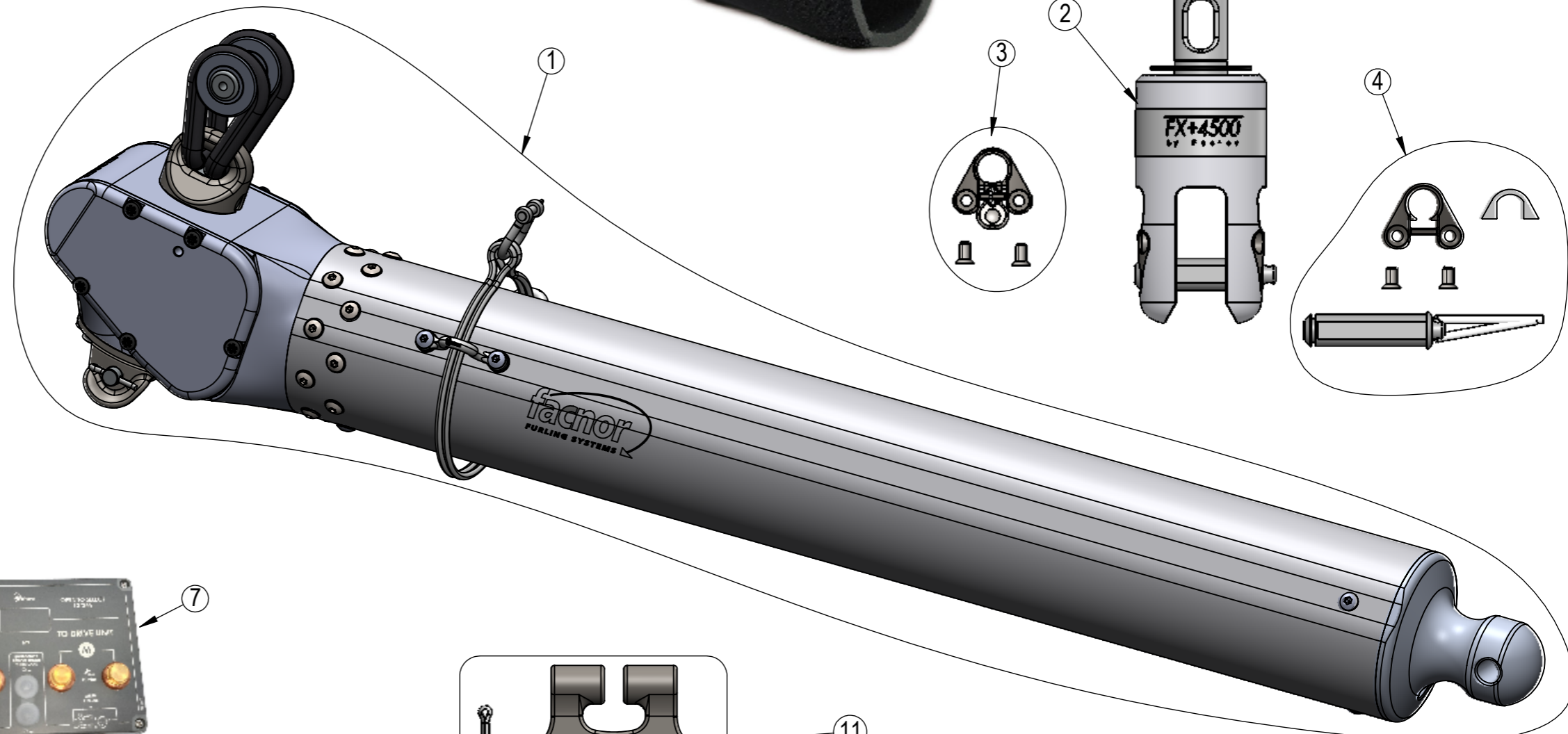


FXE4500 SPARE PART LIST
ECLATE FXE4500-01 & FXE4500-02

Rep	Reference	Description	
01	43420104530	FX+ 4500 SWIVEL	ATTACH. NOT INCL.
02	31001281000	HIL BOW SHACKLE - D10MM	
03	56020810450	FXE4500 400W MOTORISED FURLER	12V-WITHOUT SNAP SHACKL
03	56020820450	FXE4500 400W MOTORISED FURLER	24V-WITHOUT SNAP SHACKL
04	31003271800	SNAP SHACKLE 86MM	REF 2297
06	43420504510	QUICK PIN TRIGGER MECHANISM	FX+4500
07	43420504525	PIN EQUIPED WITH BUSHING	FX+4500
08	29050010450	FX+4500 SWIVEL COVER	
26	29050000346	PROTECT.COVERFXE4500DRIVE UNIT	BLACK BEATHING WITH HAN
27	29050000343	30X25 CM FXE STORAGE BAG	PADDED GREY
54	56020801450	FXE4500 SEALING KIT	REP 54
56	56020802450	FXE4500 MOTOR REPLACEMENT KIT	REP 56
60	56020804450	FXE4500 PORT PLATE REPLAC.KIT	REP 60
62	56020805450	FXE4500STARBRD PLATE REPLC.KIT	REP 62
64	56020806450	FXE4500 SUPPLY WIRE REPLC. KIT	REP 64
68	56012000500	FACNOR50A 12-24V RELAY BOX	EC3-EC47/C.BREAKR NOT IN
69	56012000127	40 A CIRCUIT BREAKER	
70	56012000150	1 TRANS. RADIO REMOTE CONTROLR	2 ORDERS-TRANSMTR+REC'
71	56012000141	WIRED REMOTE CONTROL HRC1002	WITH NOTICE
73	56020803450	FXE4500 BELT REPLACEMENT KIT	REP 74
74	43720204590	DECK SOCKET	FXE4500 400W 12&24V
75	56060035020	DECK SOCKET CAP ONLY	
76	56060035000	35A PLUG	

Rep	Désignation	Description
1	IBFXE	IBFXE
2	Emerillon complet	Swivel assembled
3	Bague axe verrou assemblée + vis	Quick pin trigger mechanism + screws
4	Bague + guillotine + axe + vis	Pin ring + axis lock + pin + screws
5	Housse émerillon néoprène	Swivel protective cover
6	Manille	Shackle
7	Boitier relais	Relay box
8	Disjoncteur	Circuit breaker
9	Kit radiocommande (émetteur + récepteur, <i>option</i>)	Radio control kit (wireless transmitter + receiver, <i>option</i>)
10	Commande filaire (<i>option</i>)	Wired remote (<i>option</i>)
11	Accroche sous-barbe métallique	Wire briddles connexion
11A	Kit sous-barbe métallique (11+12)	Wire briddles kit (11+12)
12	Sous-barbes métalliques	Wire briddles
13	Sous-barbe textiles	Textile briddles
13A	Kit sous-barbes textiles (13+14)	Textile briddles kit (13+14)
14	Cavalier	Toggle

KIT COMPLET IBFXE - PIECES DETACHEES / COMPLETE KIT IBFXE - SPARE PARTS



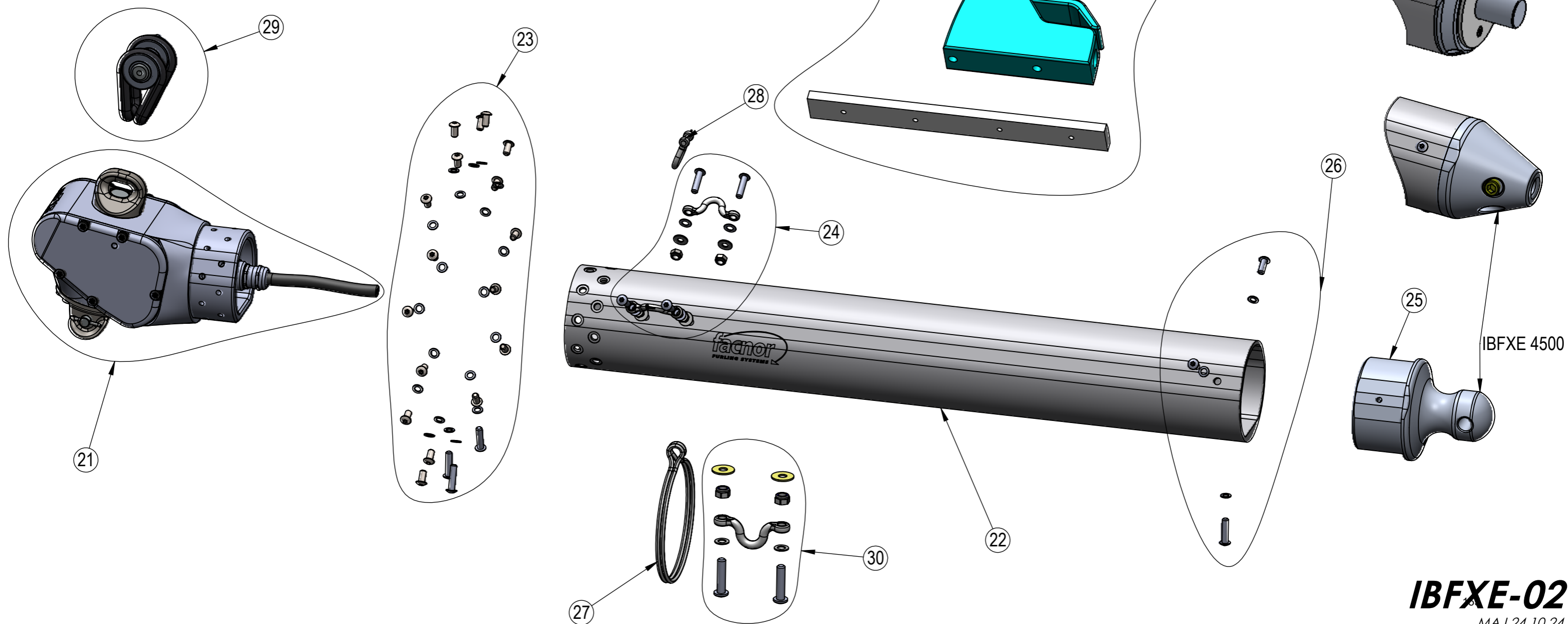
IBFXE-01

MAJ 24.10.24

EMMAGASINEUR IBFXE - PIÈCES DÉTACHÉES / IBFXE FLYING SAIL FURLER - SPARE PARTS



Rep	Désignation	Description
21	Bloc moteur	Motorised drive unit
21A	Bloc moteur + visserie (21 + 23)	Motorised drive unit + fasteners (21+23)
22	Tube <i>(ne peut être vendu séparément)</i>	Tube <i>(cannot be sold separately)</i>
22A	Kit tube (22+23+24+26+30)	Tube kit (22+23+24+26+30)
22B	Kit tube équipé (22A+25+27A)	Equipped tube kit (22A+25+27A)
22C	Tube équipé avec kit spi (22+23+24+25+26+30+31+32+33)	Equipped tube with eye straps (22+23+24+25+26+30+31+32+33)
24	Kit étriers <i>(ne peut être vendu séparément)</i>	Eye straps kit <i>(cannot be sold separately)</i>
24A	Kit étriers complet (23+24)	Complete eye straps kit (23+24)
25	Embout arrière <i>(ne peut être vendu séparément)</i>	Rear end <i>(cannot be sold separately)</i>
25A	Kit embout arrière (25+26)	Rear end kit (25+26)
26	Kit visserie embout arrière	Rear end fastening kit
27	Loop	Loop
27A	kit accroche balancine (27+28)	Topping lift attachment kit (27+28)
28	Manille D.5	Shackle D.8
29	Manille textile scratch	Scratch soft toggle
30	Etrier spi <i>(ne peut être vendu séparément)</i>	Spinnaker eye strap <i>(cannot be sold separately)</i>
30A	Kit étrier spi (30+23)	Spinnaker eye strap kit (30+23)
31	Textile kit spi	Textile spinnaker kit
32	Manille D.8	Shackle D.8
33	Bloqueur <i>(ne peut être vendu séparément)</i>	Rope clutch <i>(cannot be sold separately)</i>
33A	Kit bloqueur (33+26)	Rope clutch kit (33+26)
33B	Kit spi sans étrier (31+32+33A)	Spinnaker kit without eye straps (31+32+33A)
33C	Kit spi complet (33B+30A)	Complete spinnaker kit (33B+30A)

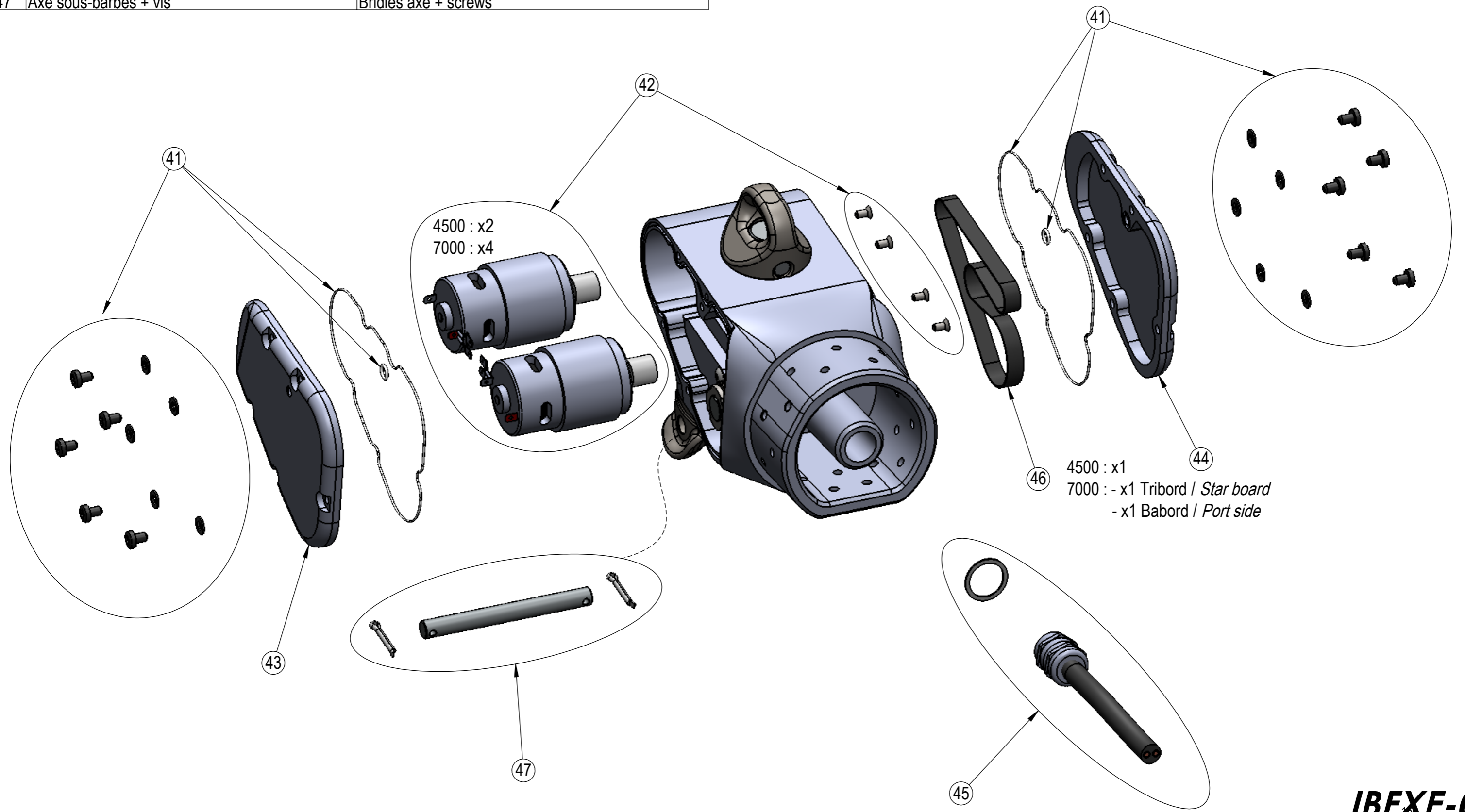


IBFXE-02

MAJ 24.10.24

Rep	Désignation	Description
41	Kit étanchéité	Sealing kit
42	Moteurs seuls <i>(ne peuvent être vendus séparément)</i>	Motors only <i>(cannot be sold separately)</i>
42A	Kit changement moteurs (2x rep 41 + 1x rep 42)	Motor replacing kit (2x rep 41 + 1x rep 42)
43	Tôle bâbord <i>(ne peut être vendue séparément)</i>	Port cover <i>(cannot be sold separately)</i>
43A	Kit changement tôle bâbord (1x rep 41+ 1x rep 43)	Port cover replacing kit (1x rep 41+ 1x rep 43)
44	Tôle tribord <i>(ne peut être vendue séparément)</i>	Starboard cover <i>(cannot be sold separately)</i>
44A	Kit changement tôle tribord (1x rep 41 + 1x rep 44)	Starboard cover replacing kit (1x rep 41+ 1x rep 44)
45	Câble seul <i>(ne peut être vendu séparément)</i>	Cable only <i>(cannot be sold separately)</i>
45A	Kit changement câble alimentation (2x rep 41 + 1x rep 45)	Power supply wire replacing kit (2x rep 41 + 1x rep 45)
46	Courroie seule <i>(ne peut être vendue séparément)</i>	Belt only <i>(cannot be sold separately)</i>
46A	Kit changement courroie (1x rep 41 + 1x rep 46)	Belt replacing kit (1x rep 41 + 1x rep 46)
47	Axe sous-barbes + vis	Bridles axle + screws

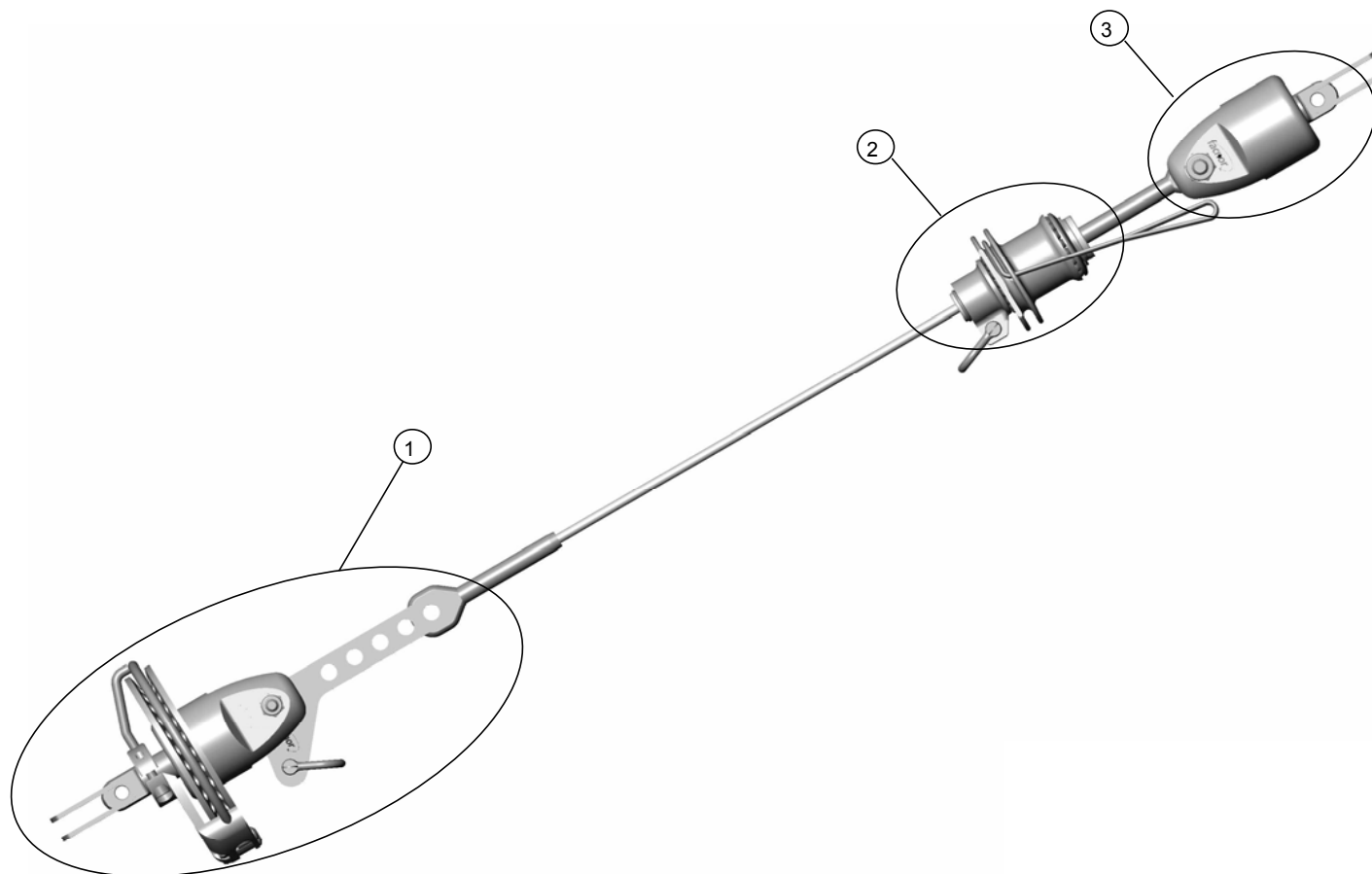
**ECLATE BLOC MOTEUR IBFXE
- PIECES DETACHEES /
EXPLODED VIEW OF DRIVE UNIT
IBFXE - SPARE PARTS**



IBFXE4500 SPARE PART LIST
ECLATE IBFXE4500

Rep	Reference	Description	
21	43760504520	IBFXE45000 400W12VMOTORS.FURLR	
21	43760504540	IBFXE45000 400W24VMOTORS.FURLR	
21A	56020825450	IBFXE4500 DRIVE UNIT&SCREWS12V	REP 21A (=21+23)
21A	56020825451	IBFXE4500 DRIVE UNIT&SCREWS24V	REP 21A (=21+23)
22A	56020826451	SECTION KIT FOR LAG42	REP 22A (=22+23+24+26)
22B	56020827451	KIT SECTION EQ FOR LAG42	REP 22B (=22A+25+27A)
23	56020828450	SCREW KITF/BFXE45&7000 SECTION	REP 23
24A	56020830450	COMPLETE EYE STRAP KIT	REP 24A (=23+24)
25A	56020831451	REAR END KIT FOR LAG42	REP 25A (=25+26)
26	56020832450	REARENDSCREW KIT F/BFXE45&7000	REP 26
27	24000600380	D04MM LOOP LENGHT 860MM	
27A	56020833450	TOPPING LIFT ATTACHMENT FOR	IBFXE4500&7000 - REP 27A
28	31001250500	BOW SHACKLE D05MM	
29	240A0412191	SWL04.5T SCRATCH SOFT TOGGLE	D12 PIN UL19.5 H60

ECLATE PIECES DETACHEES STG3T



STG 3T SPARE PART LIST

EXPLOD DRAWING# STG 3T 01

Rep	Reference	Description	
01	43015001570	WIRE FURLER 3T DIAM.6MM-PIN 10	
02	43312002540	FLT 1T5/2T5 TENSIONING SWIVEL WITH INSTRUCTION - STAY 1	
03	43020001560	TOP 3T HEADSTAY SWIVEL FORESTAY 6 PIN 10	